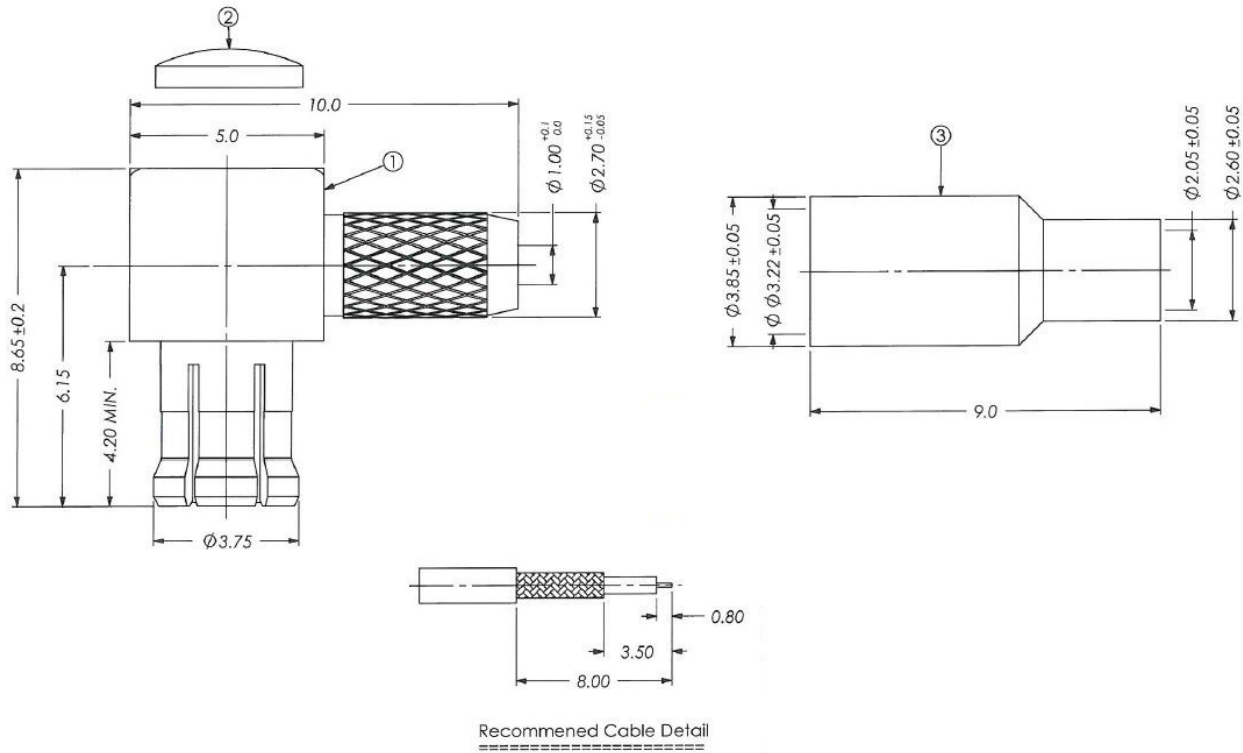



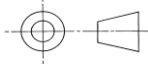
## ❖ ELECTRICAL SPECIFICATION

PARAMETER	VALUE	UNIT
Frequency Range	DC – 6	GHz
Impedance	50	$\Omega$
Working Voltage, max	250	Vrms
Dielectric Withstanding Voltage, max	750	Vrms

## ❖ DIMENSIONS



Item	Description	Material	Finished
1	Body	Brass	Gold Flash
	Outer Contact	BE. Copper	Gold 4u"
	Insulator	Teflon	Natural
	Contact	Brass	Gold Flash
2	Body Cap	Brass	Gold Flash
3	Ferrule	Brass	Gold Flash

				 A RAMI TECHNOLOGY Company		
Rev	Change	Date	Name			
Projection		Scale	Date	Name	Description	
		--	Drawn	09.12.2018	AR	
			Checked	09.12.2018	CP	
			Approved	09.12.2018	CP	
Dimensions in mm					Part Number <b>RCN-4M-28305-K-001</b>	A