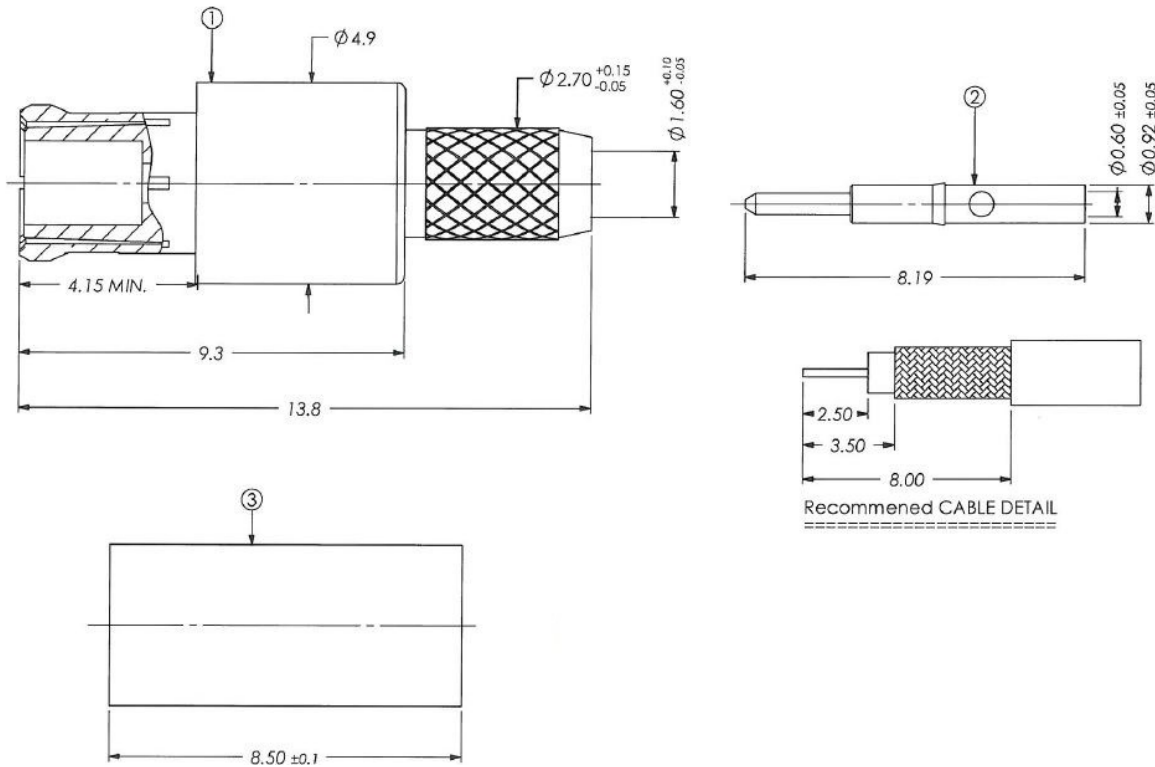


❖ ELECTRICAL SPECIFICATION

PARAMETER	VALUE	UNIT
Frequency Range	0 – 3	GHz
Impedance	50	Ω
Working Voltage, max	335	Vrms
Dielectric Withstanding Voltage, max	750	Vrms

❖ DIMENSIONS



Item	Description	Material	Finished
1	Outer Contact	BE. Copper	Gold
	Body	Brass	Gold
	Insulator	Teflon	Natural
2	Contact	BE. Copper	Gold
3	Ferrule	Brass	Nickel

Rev	Change	Date	Name
Projection	Scale	Date	Name
	--	Drawn	09.12.2018 AR
		Checked	09.12.2018 CP
		Approved	09.12.2018 CP
Dimensions in mm			

RALTRON
A RAMI TECHNOLOGY Company

Description	MCX STRAIGHT PLUG CRIMP FOR RG179 CABLE	
Part Number	RCN-4M-28205-K-001	A