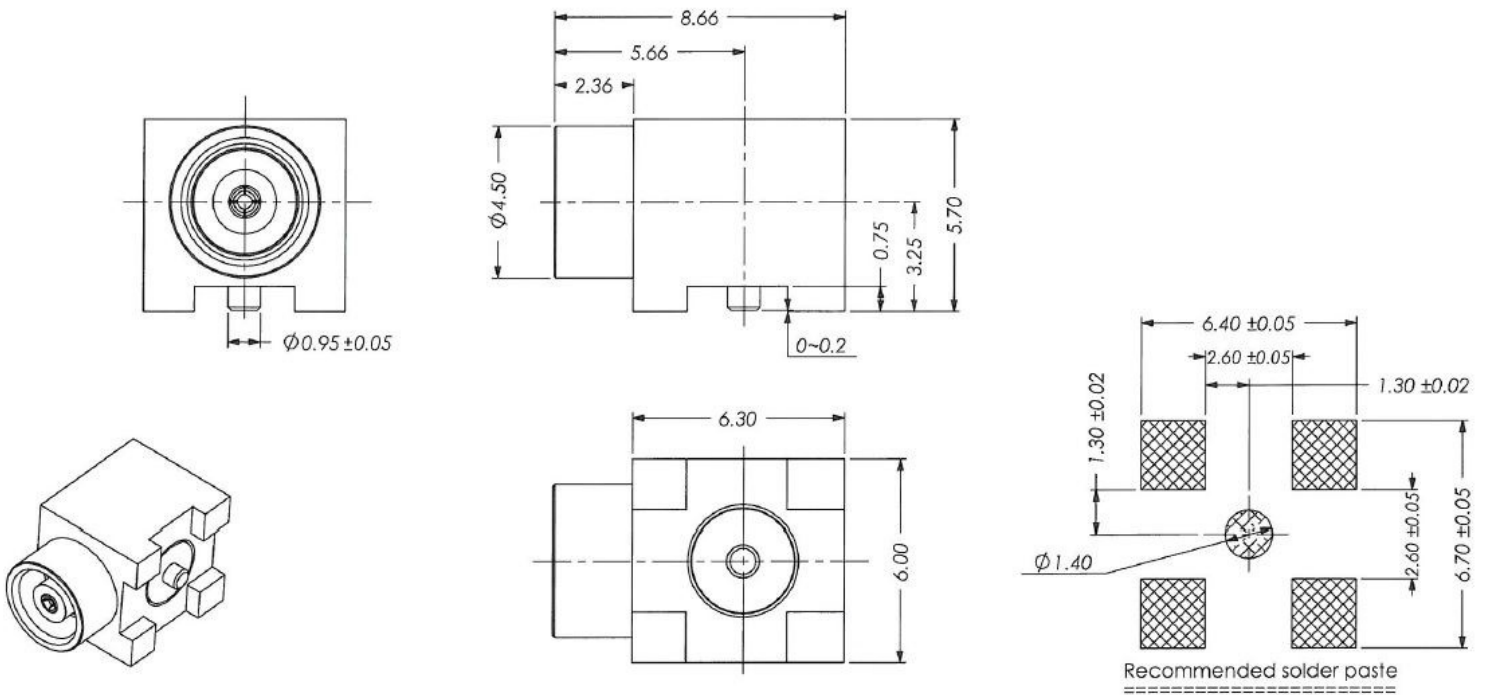



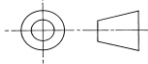
❖ ELECTRICAL SPECIFICATION

PARAMETER	VALUE	UNIT
Frequency Range	0 – 6	GHz
Impedance	50	Ω
Working Voltage, max	170	Vrms
Dialectic Withstanding Voltage, max	750	Vrms
VSWR, max	1.35	-

❖ DIMENSIONS



Description	Material	Finished
Body	Brass	Gold
Contact	Beryllium Copper	Gold 30u"
Insulator	Teflon	Natural
Insulator (PCB END)	Teflon	Natural

				 A RAMI TECHNOLOGY Company	
Rev	Change	Date	Name	Description	
				MCX RIGHT ANGLE JACK SMT RECEPTACLE	
Projection	Scale	Date	Name	Part Number	
	--	Drawn	09.11.2018	AR	RCN-4F-28109-K-001
		Checked	09.11.2018	CP	
		Approved	09.11.2018	CP	
Dimensions in mm					A