



■ ELECTRICAL SPECIFICATION

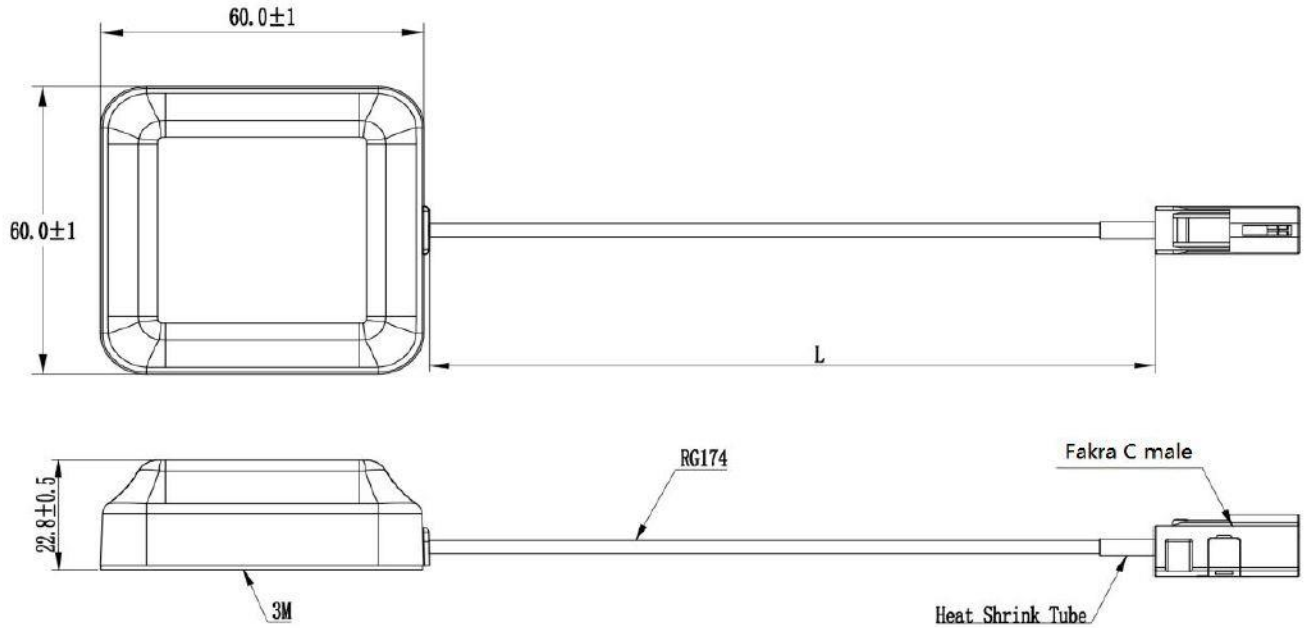
ANTENNA

PARAMETERS		VALUE	UNIT
Frequency Range	GPS	L1/L2	-
	GLONASS	G1/G2/G3	-
	COMPASS	B1/B2/B3	-
	Galileo	E1/L1/E2/E5b	-
Polarization		RHCP	-
Peak Gain, min		2	dBi
Horizontal Coverage Angle		360	°
Impedance		50	Ω
VSWR, max		2	-
Axial Ratio, max		3	dB
Cable	Type	RG174	-
	Length	3000	mm
Connector		Fakra C Male	-
Mounting Method		Adhesive	-
Operating Temperature Range		-40 ~ +85	°C
Vibration (With 1.5 mm Amplitude 2 Hours)		10 ~ 55	Hz
Relative Humidity, max		95	%
Ingress Protection		IP66	-
RoHS Compliant		YES	-

LNA

PARAMETERS	VALUE	UNIT
Gain	40 ± 2	dB
Noise Figure, max	1.5	dB
Passband Fluctuation	± 1.5	dB
Supply Voltage	3 ~ 12	V DC
Current Consumption, max	50	mA
VSWR, max	2.0	-

■ **MECHANICAL SPECIFICATION**



Unit: mm

Raltron Electronics / RAMI Technology USA, LLC, including its affiliates, employees, agents and other persons acting on its behalf (collectively Raltron/RAMI Tech), disclaim any and all liability for any errors or inaccuracies contained in this data sheet. While Raltron/RAMI Tech has made every reasonable effort ensure the accuracy of all product information, specifications and data contained herein, Raltron/RAMI Tech does not guarantee that the information is accurate, reliable or current. The product information is provided only for reference purposes only and is subject to change, correction or revision, at any time without notice. Raltron/RAMI Tech does not assume any liability arising out of an application or use of any product described herein and disclaims any warranties expressed or implied. The user of products in such applications shall assume all risks of such use and will agree to hold Raltron/RAMI Tech, harmless against all damages.

Copyright © 2016, Raltron Electronics / RAMI Technology USA, LLC. All rights reserved. No part of this document may be reproduced in any form without the prior written permission of Raltron Electronics / RAMI Technology USA, LLC.

October 2020