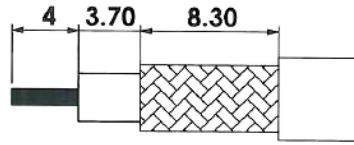


❖ ELECTRICAL SPECIFICATION

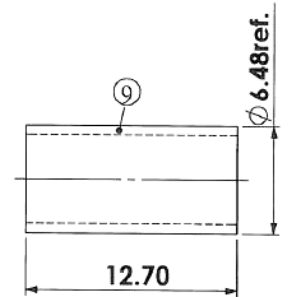
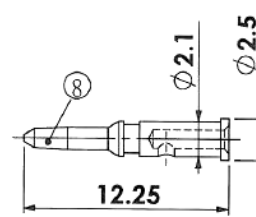
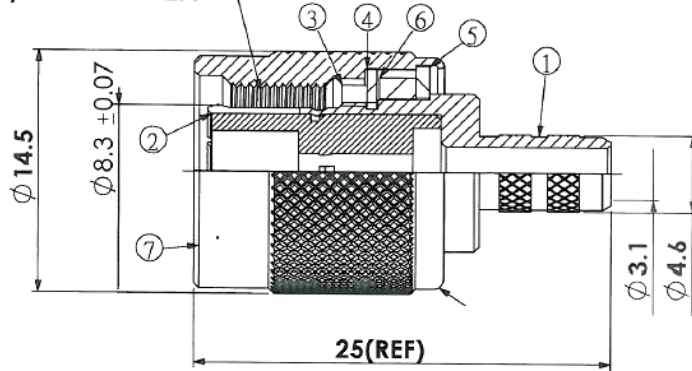
PARAMETER	VALUE	UNIT
Frequency Range	0 –3	GHz
Impedance	50	Ω
Working Voltage, max	335	Vrms
Dielectric Withstanding Voltage, max	1000	Vrms

❖ DIMENSIONS





Recommended Cable Stripping Dim's

7/16-28UNEF-2A



Item	Description	Material	Finished
1	Body	Brass	Nickel
2	Insulator	Delrin	Natural
3	Gasket	Rubber	Red
4	"C" Ring	Brass	Nickel
5	Washer	Brass	Nickel
6	Ring	Delrin	Natural
7	Shell	Brass	Nickel
8	Contact	Brass	Gold
9	Ferrule	Copper Tubing	Nickel

				
Rev	Change	Date	Name	
Projection	Scale	Date	Name	
		Drawn	09.24.2018	AR
		Checked	09.24.2018	CP
Dimensions in mm	--	Approved	09.24.2018	CP
Description TNC CRIMP PLUG				
Part Number RCN-9M-16205-K-001				A