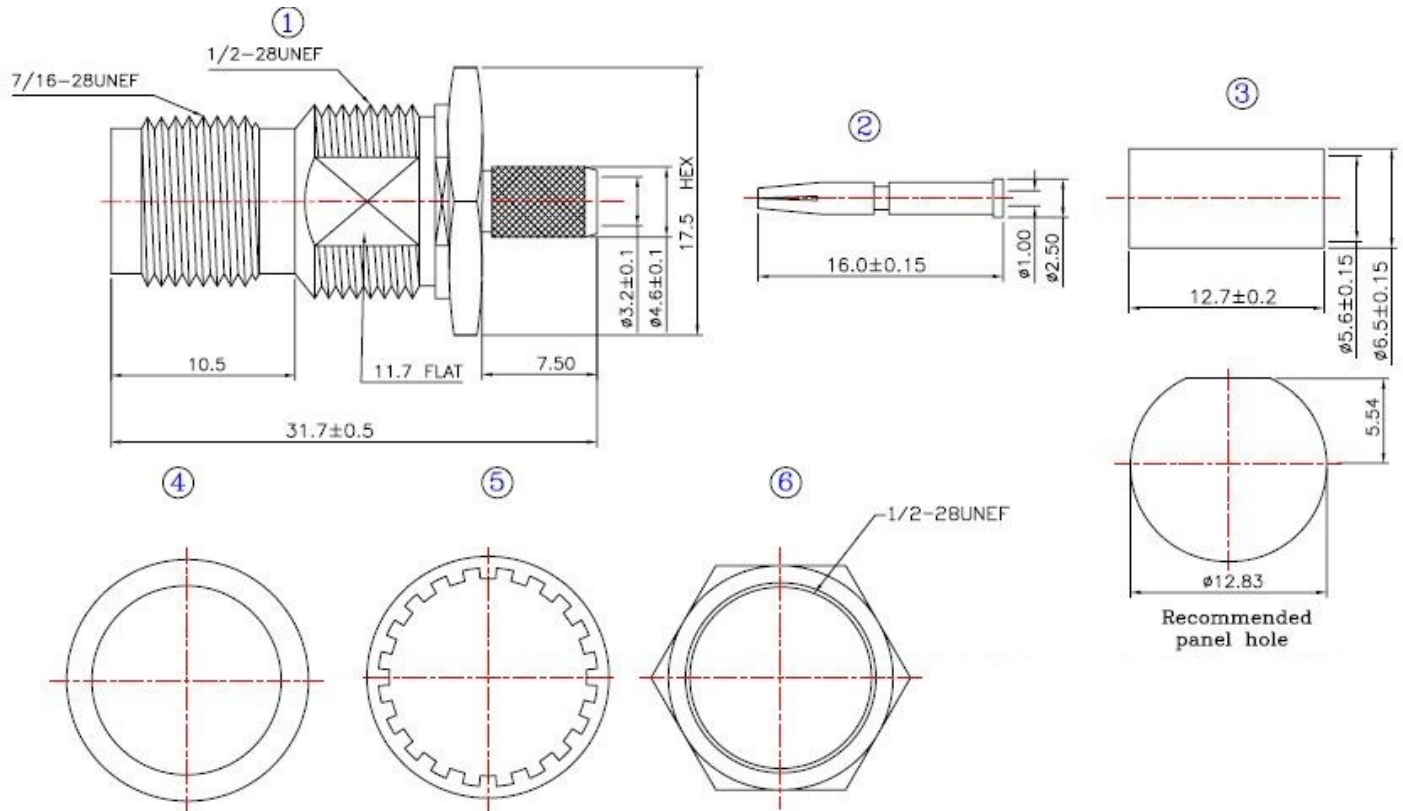




❖ DIMENSIONS



Item	Description	Material	Finished
1	Body	Zinc Alloy	Nickel
	Insulator	Teflon	None
2	Contact	P. Bronze	Gold Flash
3	Ferrule	Brass	Nickel
4	Gasket	Rubber	None
5	Washer	P. Bronze	Nickel
6	Nut	Brass	Nickel

Rev	Change	Date	Name	 A RAM TECHNOLOGY Company
Projection	Scale	Date	Name	
	--	Drawn	09.24.2018 AR	
		Checked	09.24.2018 CP	
		Approved	09.24.2018 CP	
Description TNC STRAIGHT JACK BULKHEAD CRIMP FOR RG58U CABLE				
Part Number RCN-9F-16801-K-001				A