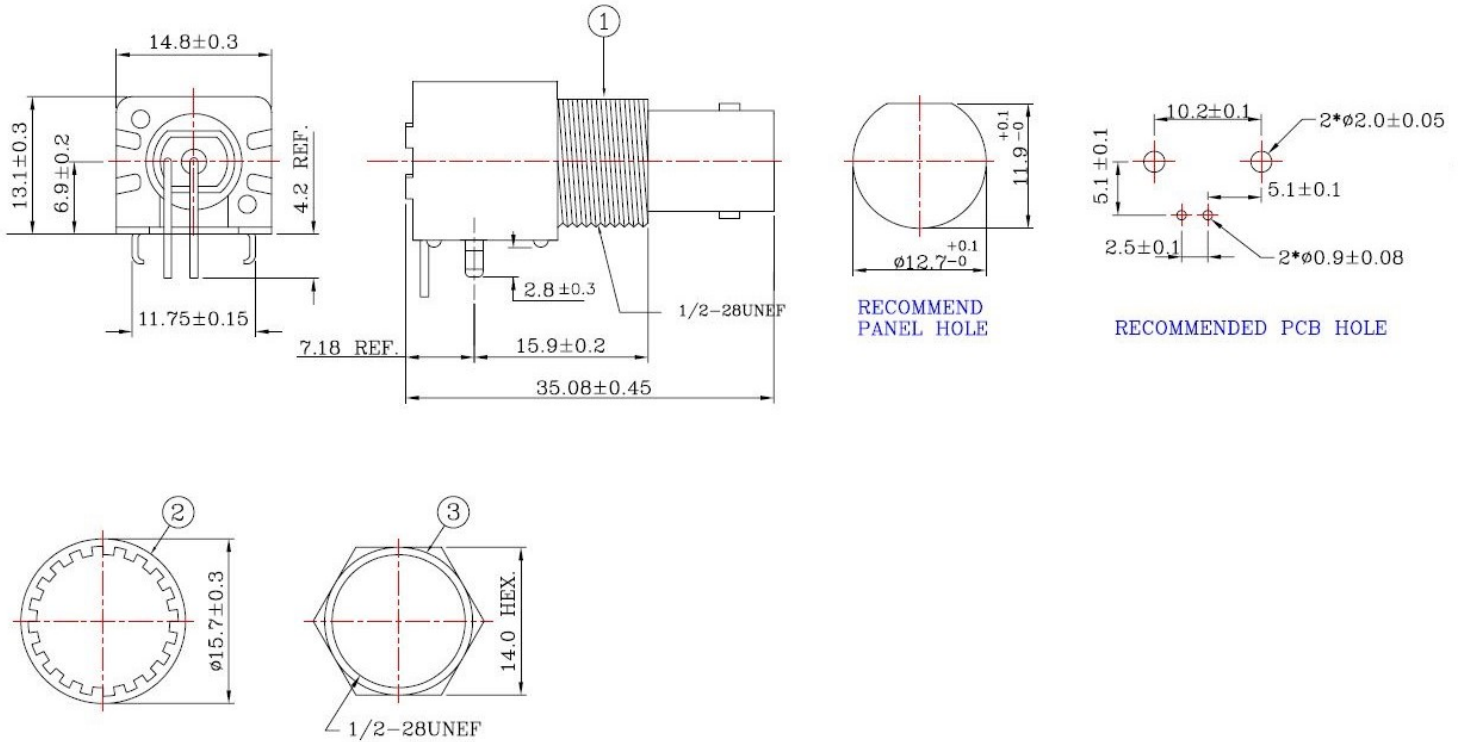




❖ ELECTRICAL SPECIFICATION

PARAMETER	VALUE	UNIT
Frequency Range	0 – 1	GHz
Impedance	75	Ω
Peak Voltage, max	500	V
Insulation Resistance, min	5000	MΩ
Dielectric Withstanding Voltage	1500	Vrms

❖ DIMENSIONS



Item	Description	Material	Finished
1	Post	SK-5	Tin
	Housing	PBT +30 % G.F.	None
	Body	Zinc Alloy	Nickel
	Insulator	P. P	None
	Grounding	Cu Covered Steel	Tin
	Contact	P. Bronze	Gold+Tin
2	Lock Washer	SK-5	Nickel
3	Nut	Brass	Nickel

Rev	Change	Date	Name	
Projection	Scale	Date	Name	
	--	Drawn	11.15.2018 AR	
		Checked	11.15.2018 CP	
		Approved	11.15.2018 CP	
Dimensions in mm				Description BNC RIGHT ANGLE JACK PCB RECEPTACLE Part Number RCN-3F-3101-K-001
				A