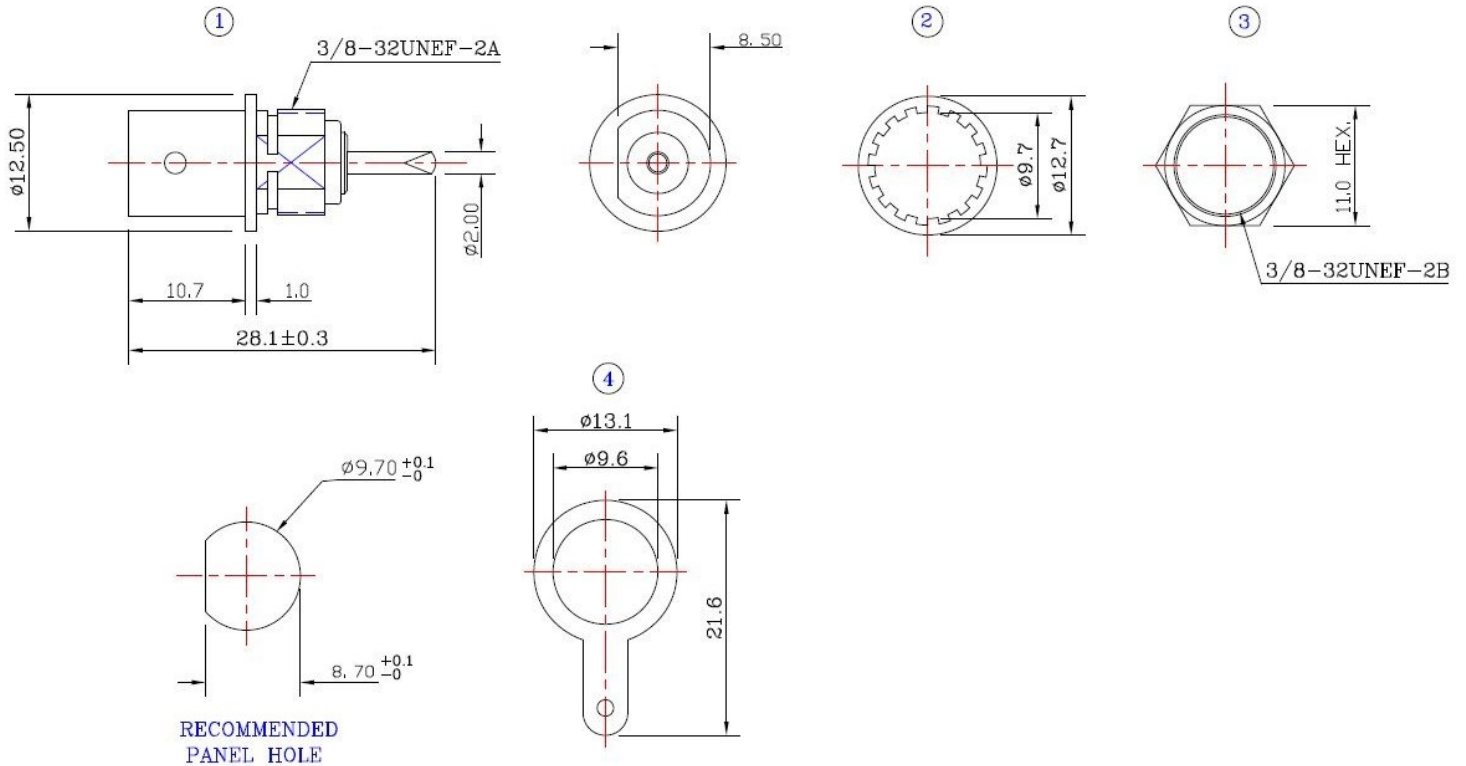




❖ ELECTRICAL SPECIFICATION

PARAMETER	VALUE	UNIT
Frequency Range	0 – 4	GHz
Impedance	50	Ω
Peak Voltage, max	500	V
Dielectric Withstanding Voltage	1500	Vrms

❖ DIMENSIONS



Item	Description	Material	Finished
1	Body	Brass	Nickel
	Insulator	Teflon	None
	Contact	P. Bronze	Gold
2	Lock Washer	SK-5	Nickel
3	Nut	Iron	Nickel
4	GND Lud	SK-5	Tin

							
Rev	Change	Date	Name				
Projection		Scale	Date			Name	
		--	Drawn	11.15.2018	AR	Description BNC STRAIGHT JACK BULKHEAD RECEPTACLE	
Dimensions in mm			Checked	11.15.2018	CP		Part Number RCN-3F-14004-K-001
			Approved	11.15.2018	CP		