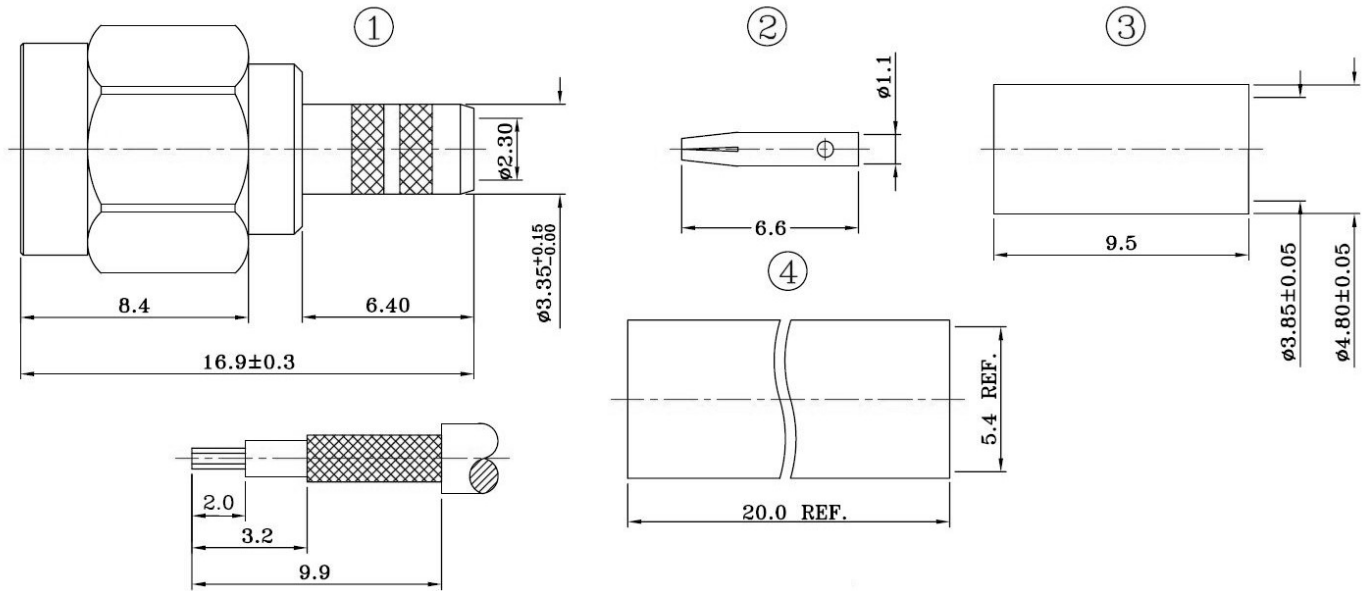


❖ ELECTRICAL SPECIFICATION



PARAMETER	VALUE	UNIT
Frequency Range	0 – 3	GHz
Impedance	50	Ω
Working Voltage, max	250	Vrms
Dielectric Withstanding Voltage, max	750	Vrms
Insulator Resistance, min	1000	M Ω

❖ DIMENSIONS



Recommended Cable Stripping DIM'S

Items	Description	Material	Finished
1	Body	Brass	Gold
	Insulator	Teflon	None
	"C" Ring	Standless	None
	Gasket	Sl. Rubber	None
	Shell	Brass	Gold
2	Contact	Brass	Gold 3u"
3	Ferrule	Brass	Gold
4	Heat Shrink Tube	PE	None

Rev		Change		Date	Name	 A RAM TECHNOLOGY Company	
Projection		Scale		Date	Name		
		--		Drawn	09.06.2018	AR	Description SMA RP STRAIGHT PLUG CRIMP Part Number RCN-1M-21825-K-001
Dimensions in mm				Checked	09.06.2018	CP	
				Approved	09.06.2018	CP	
							A