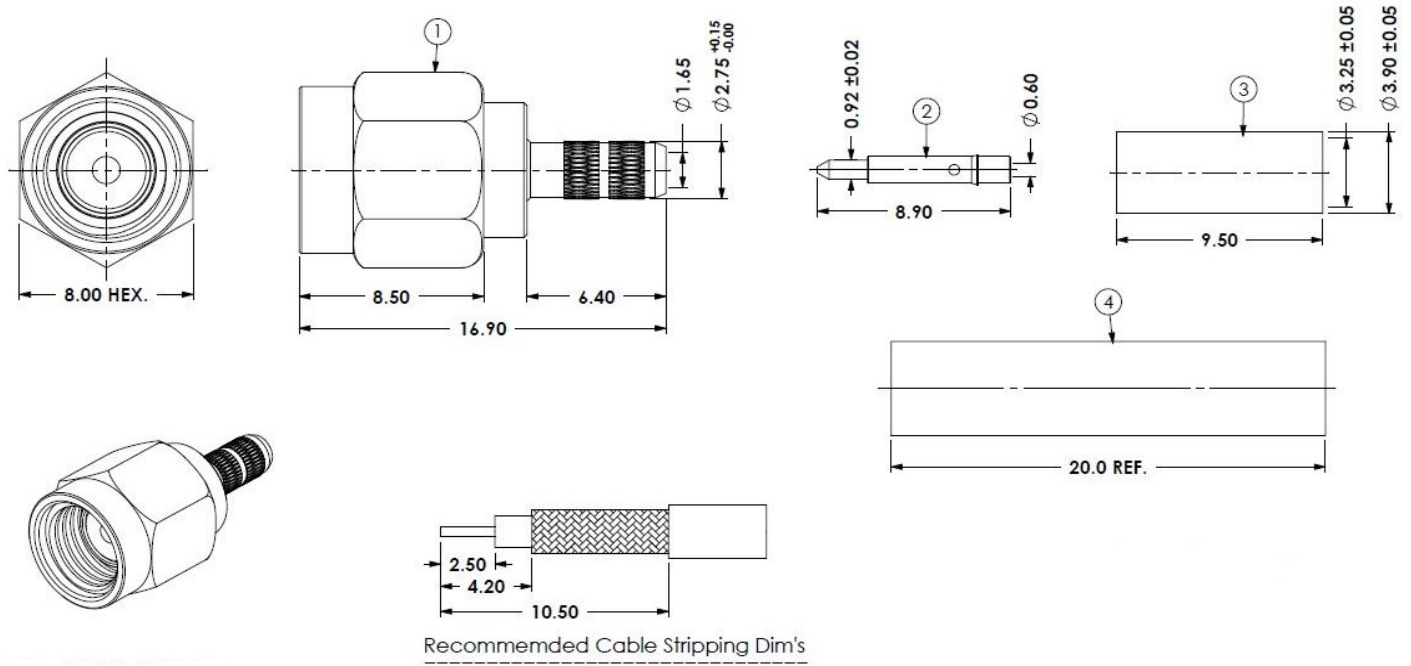




❖ ELECTRICAL SPECIFICATION

PARAMETER	VALUE	UNIT
Frequency Range	0 - 3	GHz
Impedance	50	Ω
Working Voltage, max	250	Vrms
Dielectric Withstanding Voltage, max	750	Vrms

❖ DIMENSIONS



ITEMS	Description	Material	Finished
1	Body	Brass	Gold
	Insulator	Teflon	Natural
	O-Ring	Silicone Rubber	Red
	C-Ring	Sus304	Natural
	Shell	Brass	Gold
2	Contact	Brass	Gold 30u
3	Ferrule	Brass	Gold
4	Heat Shink Tube	PE	Black

				 A RAMI TECHNOLOGY Company			
Rev	Change	Date	Name				
Projection		Scale	Date			Name	Description
		--	Drawn			09.06.2018	AR
Dimensions in mm			Checked	09.06.2018	CP	Part Number	
			Approved	09.06.2018	CP	RCN-1M-21228-K-001	
					A		

SMA ST. PLUG CRIMP TYPE FOR RG316,174 CABLE