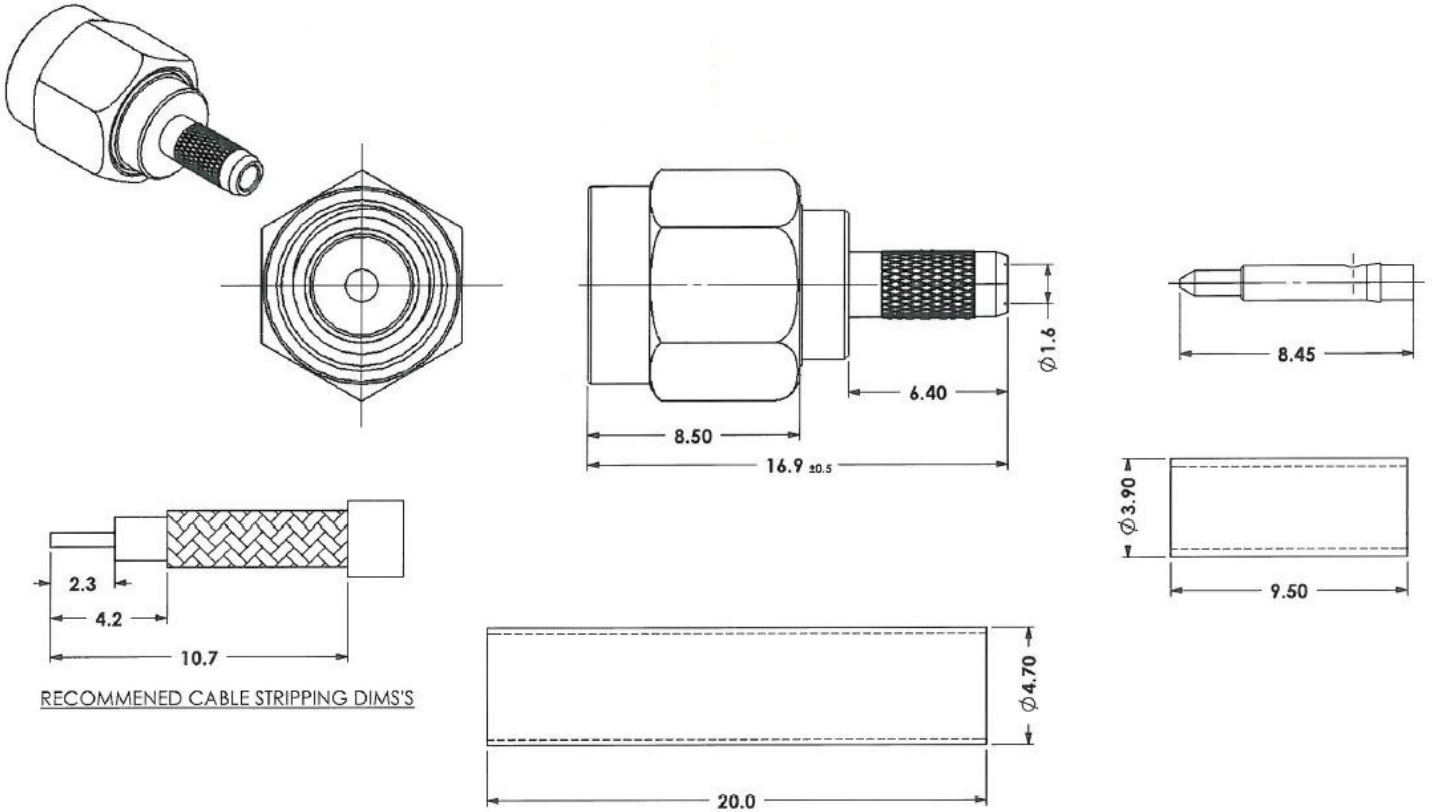



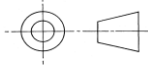
## ❖ ELECTRICAL SPECIFICATION

PARAMETER	VALUE	UNIT
Frequency Range	DC – 6	GHz
Impedance	50	$\Omega$

## ❖ DIMENSIONS



Item	Description	Material	Finished
1	Body	Brass	Gold
2	Shell	Brass	Gold
3	"O" Ring	Silicon	Red
4	"C" Ring	Steel	None
5	Insulator	Teflon	Natural
6	Ferrule	Brass	Gold
7	Heat Shrink Tube	PE	Black
8	Contact	Brass	Gold

				 A RAMI TECHNOLOGY Company	
Rev	Change	Date	Name		
Projection		Scale	Date	Name	Description
		--	Drawn	09.10.2018	AR
			Checked	09.10.2018	CP
			Approved	09.10.2018	CP
Dimensions in mm					Part Number <b>RCN-1M-21203-K-001</b>
					<b>A</b>