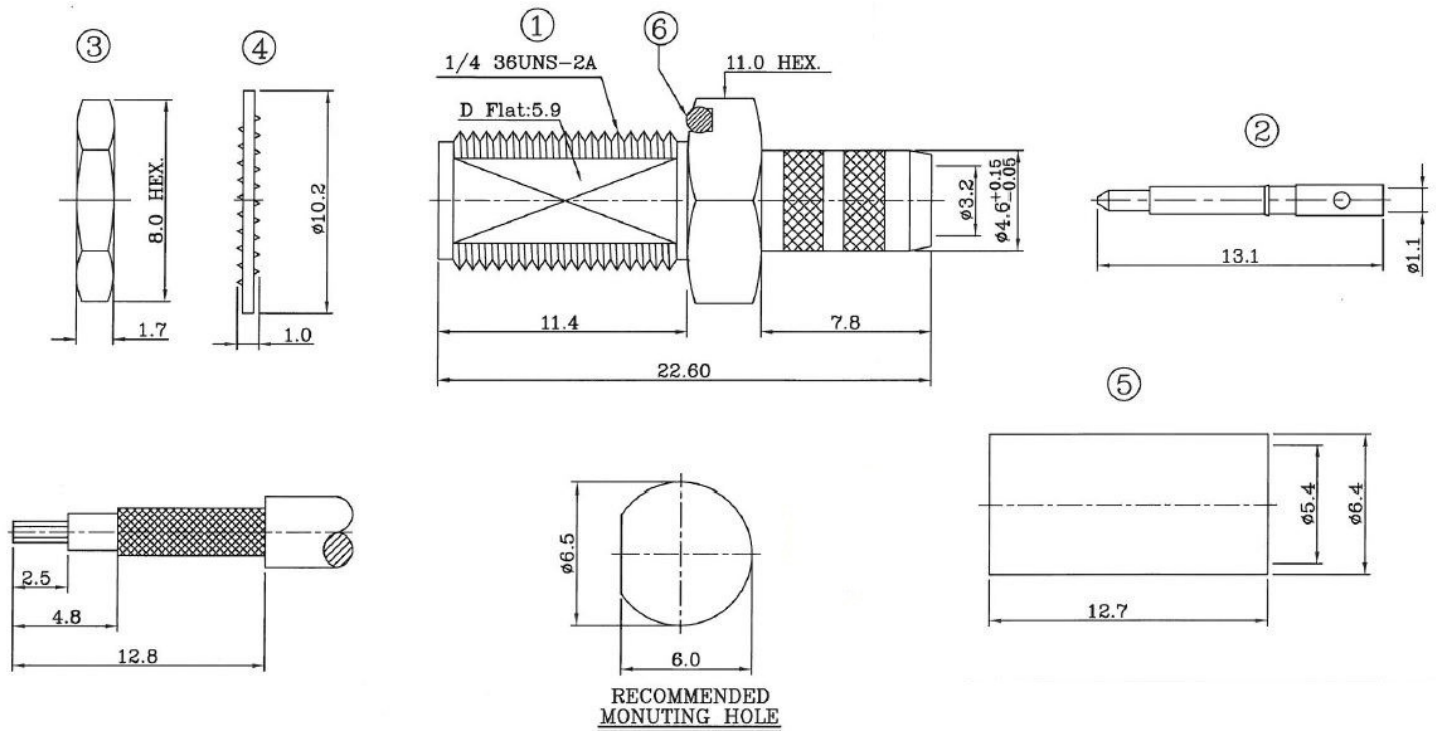



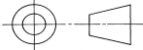
❖ ELECTRICAL SPECIFICATION

PARAMETER	VALUE	UNIT
Frequency Range	0 – 3	GHz
Impedance	50	Ω
Working Voltage, max	335	Vrms
Dielectric Withstanding Voltage, max	1000	Vrms

❖ DIMENSIONS



Item	Description	Material	Finished
1	Body	Brass	Gold
	Insulator	Teflon	Natural
2	Contact	Brass	Gold 3u"
3	Nut	Brass	Gold
4	Washer	Brass	Gold
5	Ferrule	Brass	Gold
6	O Ring	SI. Rubber	Red

Rev	Change	Date	Name	 A RAM TECHNOLOGY Company
Projection	Scale	Date	Name	
	--	Drawn	09.06.2018 AR	
		Checked	09.06.2018 CP	
Dimensions in mm	Approved	09.06.2018 CP	Description RP-SMA STRAIGHT JACK BULKHEAD CRIMP FOR RG58U CABLE	
			Part Number	RCN-1F-21887-K-001
				A