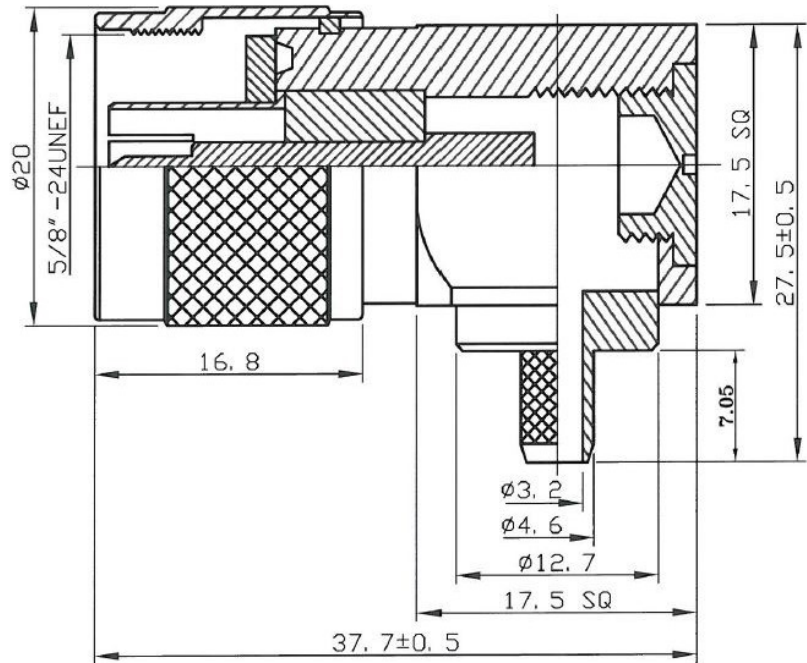
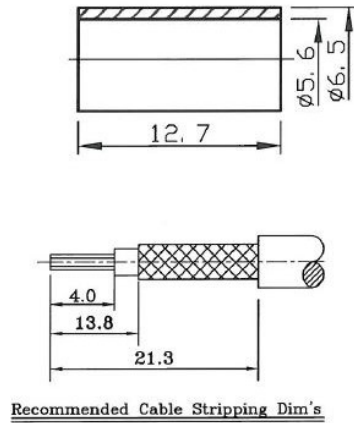




❖ ELECTRICAL SPECIFICATION

PARAMETER	VALUE	UNIT
Frequency Range	0 – 11	GHz
Impedance	50	Ω
Working Voltage, max	170	Vrms

❖ DIMENSIONS



Description	Material	Finished
Body	Brass	Nickel
Body	Brass	Nickel
Body	Brass	Nickel
Shell	Brass	Nickel
Insulator	Delrin	White
Contact	Brass	Gold
Washer	Brass	None
Gasket	Rubber	Red
Screw	Brass	Nickel
Ferrule	Brass	Nickel

						 A RAM TECHNOLOGY Company
Rev	Change	Date	Name			
Projection	Scale	Date	Name	Description		
	--	Drawn	09.21.2018	AR	TYPE N RIGHT ANGLE PLUG FOR RG142U Part Number RCN-17M-12816-K-001	
		Checked	09.21.2018	CP		
		Approved	09.21.2018	CP		A
Dimensions in mm						