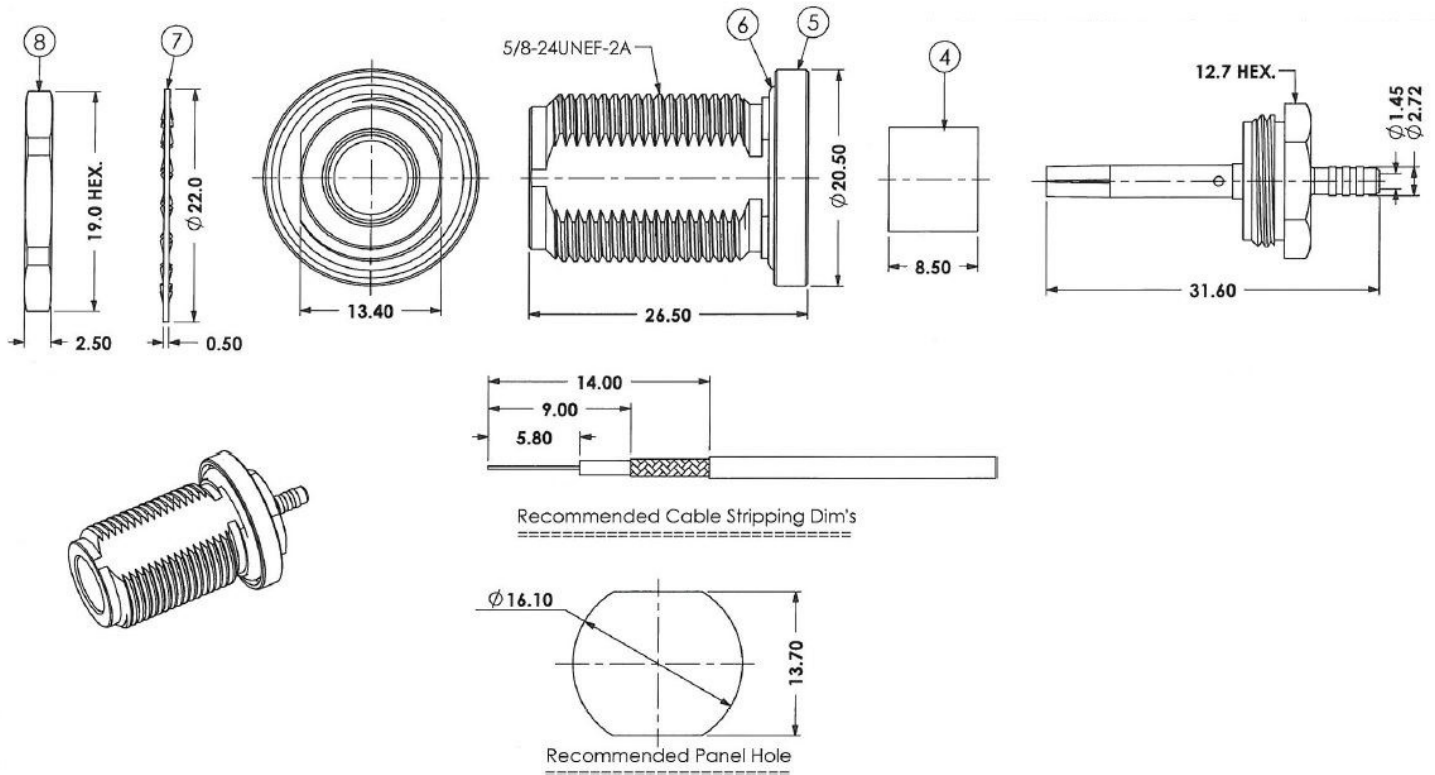



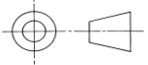
❖ ELECTRICAL SPECIFICATION

PARAMETER	VALUE	UNIT
Frequency Range	0 – 3	GHz
Impedance	50	Ω
Dielectric Withstanding Voltage, max	750	Vrms

❖ DIMENSIONS



Items	Description
1	Body
2	Lock Washer
3	O-Ring
4	Body
5	Insulator
6	Contact
7	Insulator
8	Body

Rev	Change	Date	Name	 A RAM TECHNOLOGY Company		
Projection	Scale	Date	Name			
 Dimensions in mm	--	Drawn	09.21.2018	AR	Description	TYPE N STRAIGHT JACK BULKHEAD CRIMP FOR 1.37 CABLE
		Checked	09.21.2018	CP	Part Number	
		Approved	09.21.2018	CP	RCN-17F-12209-K-001	