



A RAMI TECHNOLOGY Company

CERAMIC BAND PASS FILTER

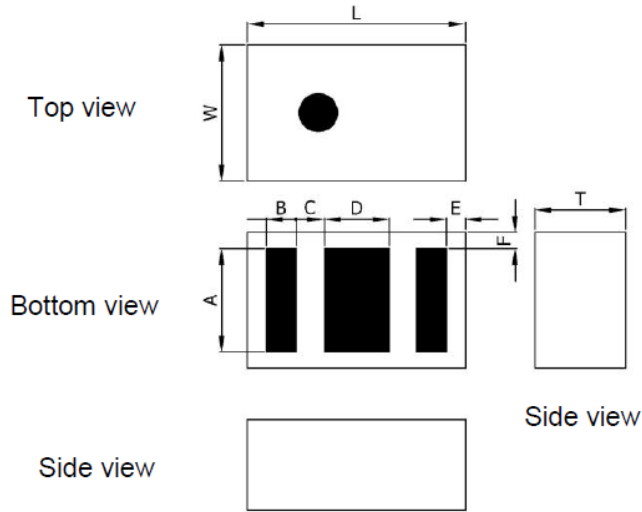
Page 1 of 3

RCF-4700.000-600000-2012-W-001

Parameters		Value	Unit
Frequency Range		4400.000 ~ 5000.000	MHz
Insertion Loss, max	@ 25°C	@ 4400 ~ 4800 MHz	1.60 dB
		@ 4800 ~ 5000 MHz	1.80 dB
	@ -40 ~ +85°C	@ 4400 ~ 4800 MHz	1.80 dB
		@ 4800 ~ 5000 MHz	2.00 dB
Attenuation, min	@ 450 ~ 2200 MHz	40 dB	
	@ 2300 ~ 2483 MHz	40 dB	
	@ 2496 ~ 2690 MHz	40 dB	
	@ 5490 ~ 5670 MHz	20 dB	
	@ 5670 ~ 5950 MHz	30 dB	
	@ 6200 ~ 8000 MHz	25 dB	
	@ 8800 ~ 10000 MHz	25 dB	
	@ 13200 ~ 15000 MHz	20 dB	
	@ 17600 ~ 20000 MHz	15 dB	
VSWR, max		2.0	-
Impedance		50	Ω
Moisture Sensitivity Levels		Level 1	-
Power Capacity, max		2	W
Operating Temperature Range		-40 ~ +85	°C
Storage Temperature Range		-40 ~ +85	°C
Storage Condition Before Soldering (Included Packaging Material)	Storage Temperature Range	+5 ~ +40	°C
	Relative Humidity	30 ~ 70	%

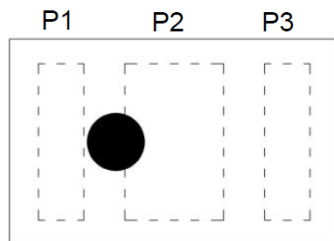
Taping Quantity: 2000 pcs (Per 7" Reel)

Dimension

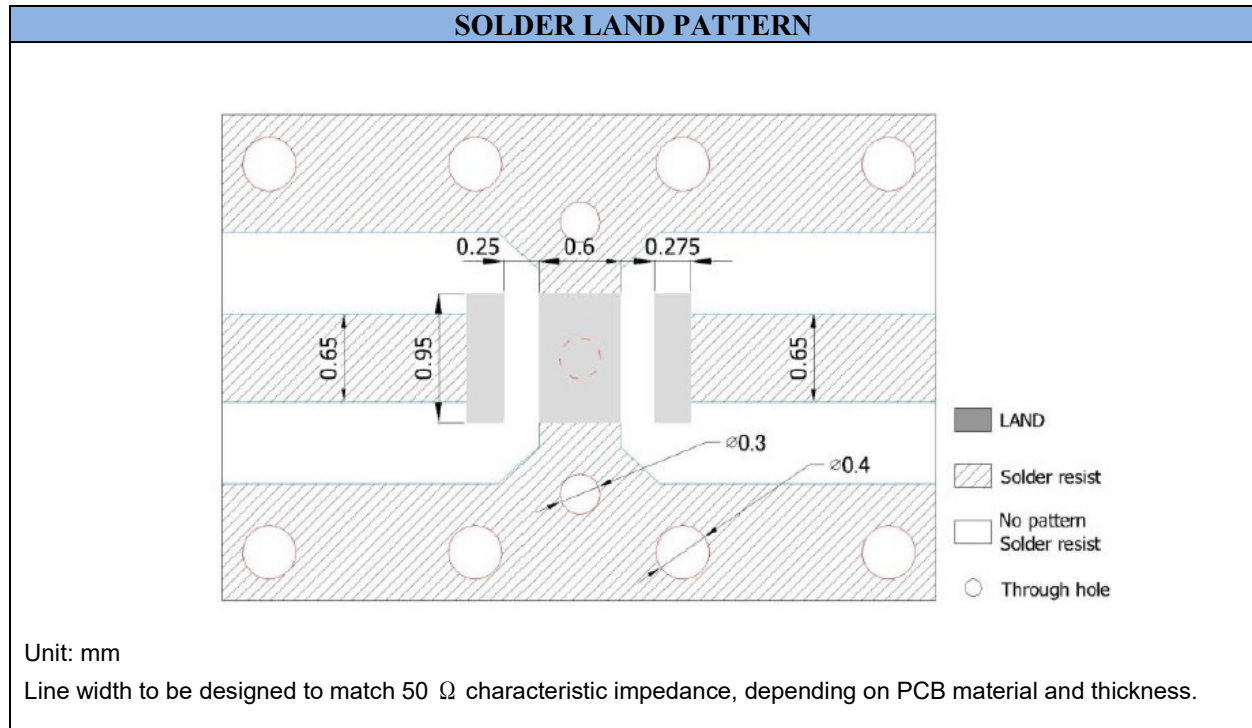


	L	W	T	A	B	C	D	E	F
Dimension (mm)	2.00 ± 0.15	1.25 ± 0.15	0.70 max.	0.95 ± 0.10	0.275 ± 0.10	0.25 ± 0.10	0.60 ± 0.10	0.175 ± 0.10	0.15 ± 0.10

Top view



PIN	Connection
1	Input
2	GND
3	Output



Raltron Electronics / RAMI Technology USA, LLC, including its affiliates, employees, agents and other persons acting on its behalf (collectively Raltron/RAMI Tech), disclaim any and all liability for any errors or inaccuracies contained in this data sheet. While Raltron/RAMI Tech has made every reasonable effort ensure the accuracy of all product information, specifications and data contained herein, Raltron/RAMI Tech does not guarantee that the information is accurate, reliable or current. The product information is provided only for reference purposes only and is subject to change, correction or revision, at any time without notice. Raltron/RAMI Tech does not assume any liability arising out of an application or use of any product described herein and disclaims any warranties expressed or implied. The user of products in such applications shall assume all risks of such use and will agree to hold Raltron/RAMI Tech, harmless against all damages.

Copyright © 2016, Raltron Electronics / RAMI Technology USA, LLC. All rights reserved. No part of this document may be reproduced in any form without the prior written permission of Raltron Electronics / RAMI Technology USA, LLC.

April 15, 2019