



## ELECTRICAL SPECIFICATIONS

### ANTENNA

Parameters	Value	Unit
Frequency Range	1561.098 ~ 1602	MHz
VSWR, max	1.5	-
Impedance	50	$\Omega$
Gain (Zenith), 100mm Ground Plane	5	dBic
Axial Ratio	@90°	4
	@20°	6
Polarization	RHCP	-

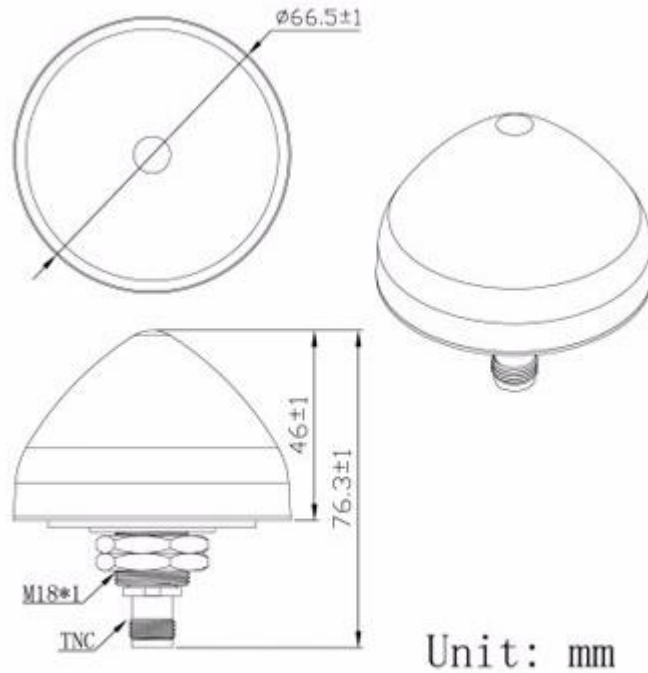
### LNA

Parameters	Value	Unit
Gain, typ	40	dB
Noise Figure, max	2.5	dB
Ex-band Attenuation @ $F_C \pm 50$ MHz	50	dB
VSWR, max	1.5	-
Supply Voltage	2.7 ~ 10	VDC
Current Consumption, max	25	mA

## MECHANICAL SPECIFICATIONS

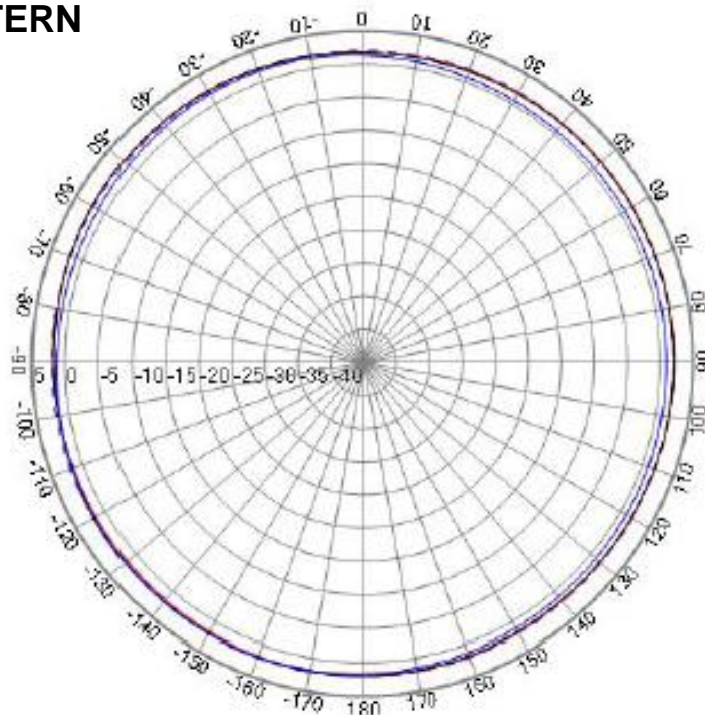
Connector	N Male	-
Radome Material	ABS	-
Mounting Method	Screw	-
Operating Temperature Range	-40 ~ +85	$^{\circ}\text{C}$
Relative Humidity, max	95	%
Ingress Protection	IP67	-

### DIMENSIONS



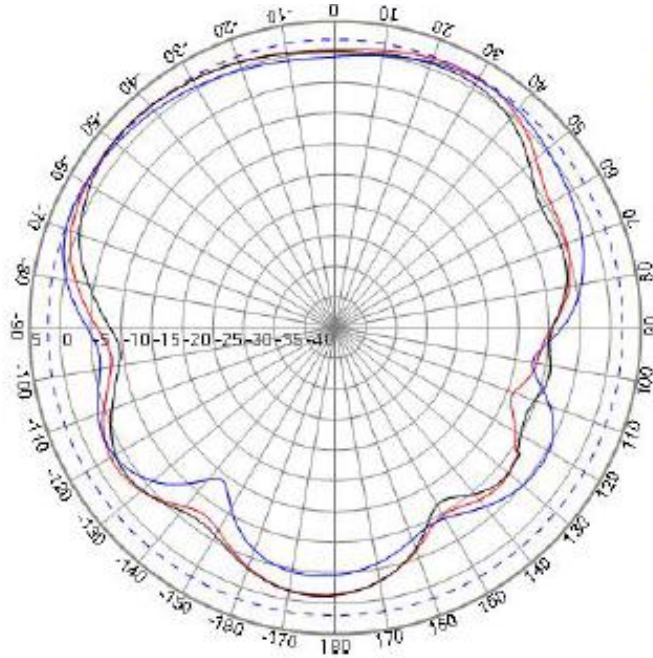
### RADIATION PATTERN

X – Y Plane



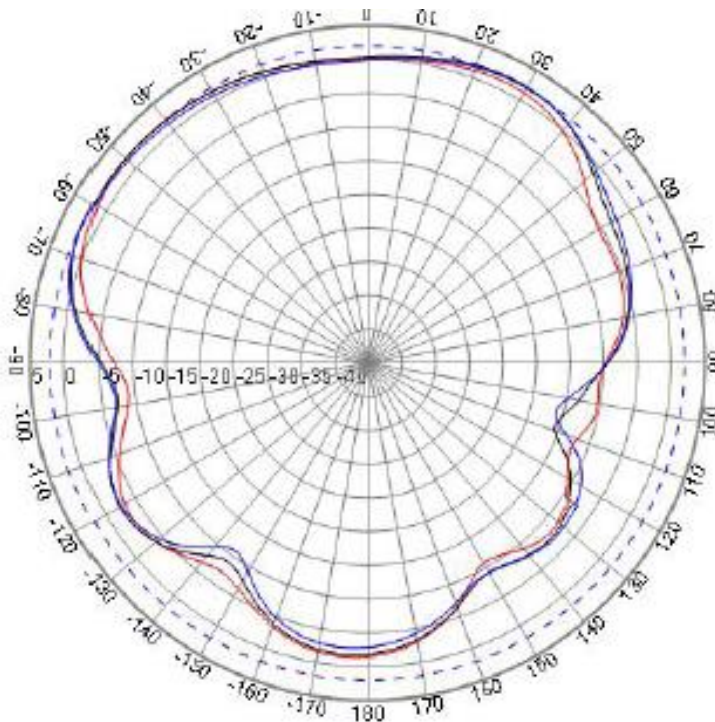
**1561 MHz**  
1575 MHz  
1602 MHz

### X - Z Plane



**1561 MHz**  
1575 MHz  
**1602 MHz**

### Y - Z Plane



**1561 MHz**  
1575 MHz  
**1602 MHz**

● **APPROVAL**

DRAWN BY	LP, April 27, 2018
APPROVED BY	JL, April 27, 2018
REVISION	A, Initial Release

Raltron Electronics / RAMI Technology USA, LLC, including its affiliates, employees, agents and other persons acting on its behalf (collectively Raltron/RAMI Tech), disclaim any and all liability for any errors or inaccuracies contained in this data sheet. While Raltron/RAMI Tech has made every reasonable effort ensure the accuracy of all product information, specifications and data contained herein, Raltron/RAMI Tech does not guarantee that the information is accurate, reliable or current. The product information is provided only for reference purposes only and is subject to change, correction or revision, at any time without notice. Raltron/RAMI Tech does not assume any liability arising out of an application or use of any product described herein and disclaims any warranties expressed or implied. The user of products in such applications shall assume all risks of such use and will agree to hold Raltron/RAMI Tech, harmless against all damages.

Copyright © 2016, Raltron Electronics / RAMI Technology USA, LLC. All rights reserved. No part of this document may be reproduced in any form without the prior written permission of Raltron Electronics / RAMI Technology USA, LLC.