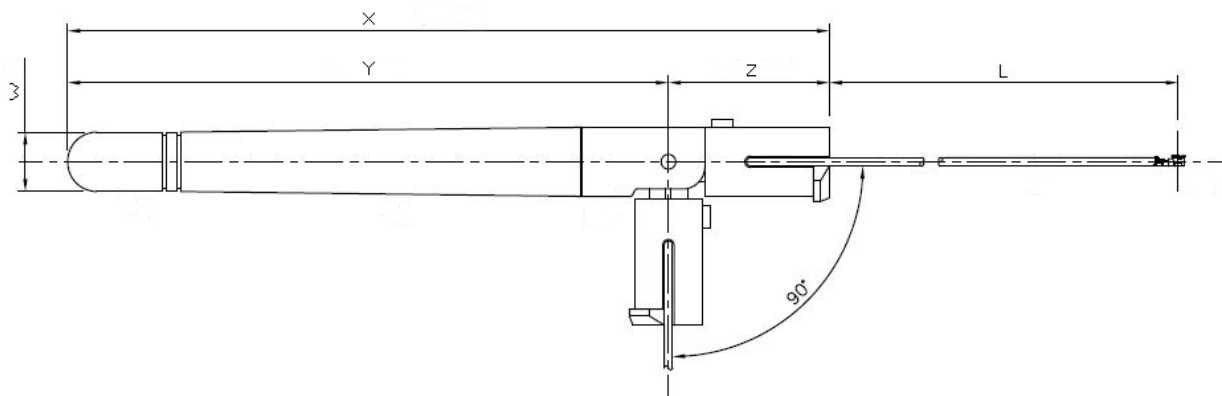


#### ■ SPECIFICATIONS

| PARAMETER        | VALUE                  |
|------------------|------------------------|
| Frequency Band   | 2400 MHz $\pm$ 100 MHz |
|                  | 5800 MHz $\pm$ 100 MHz |
| Output VSWR, max | 1.5                    |
| Impedance        | 50 $\Omega$            |
| Peak Gain, Max   | 3.0 dBi                |
| Power, Max       | 50 w                   |
| Polarization     | Vertical               |
| Cable            | 1.13 dia               |
| Cable Length     | 100 mm                 |
| Connector Type   | UFL                    |
| Weight, Max – g  | 11.5                   |

#### ■ MECHANICAL SPECIFICATIONS



Unit: mm

| Dimension | L   | W       | X     | Y    | Z    |
|-----------|-----|---------|-------|------|------|
|           | 100 | 8.0 dia | 104.3 | 87.2 | 17.1 |

■ **ENVIRONMENTAL SPECIFICATIONS**

| PARAMETER                   | VALUE          |
|-----------------------------|----------------|
| Operating Temperature Range | -40°C to +85°C |
| Storage Temperature Range   | -40°C to +85°C |

May, 2016