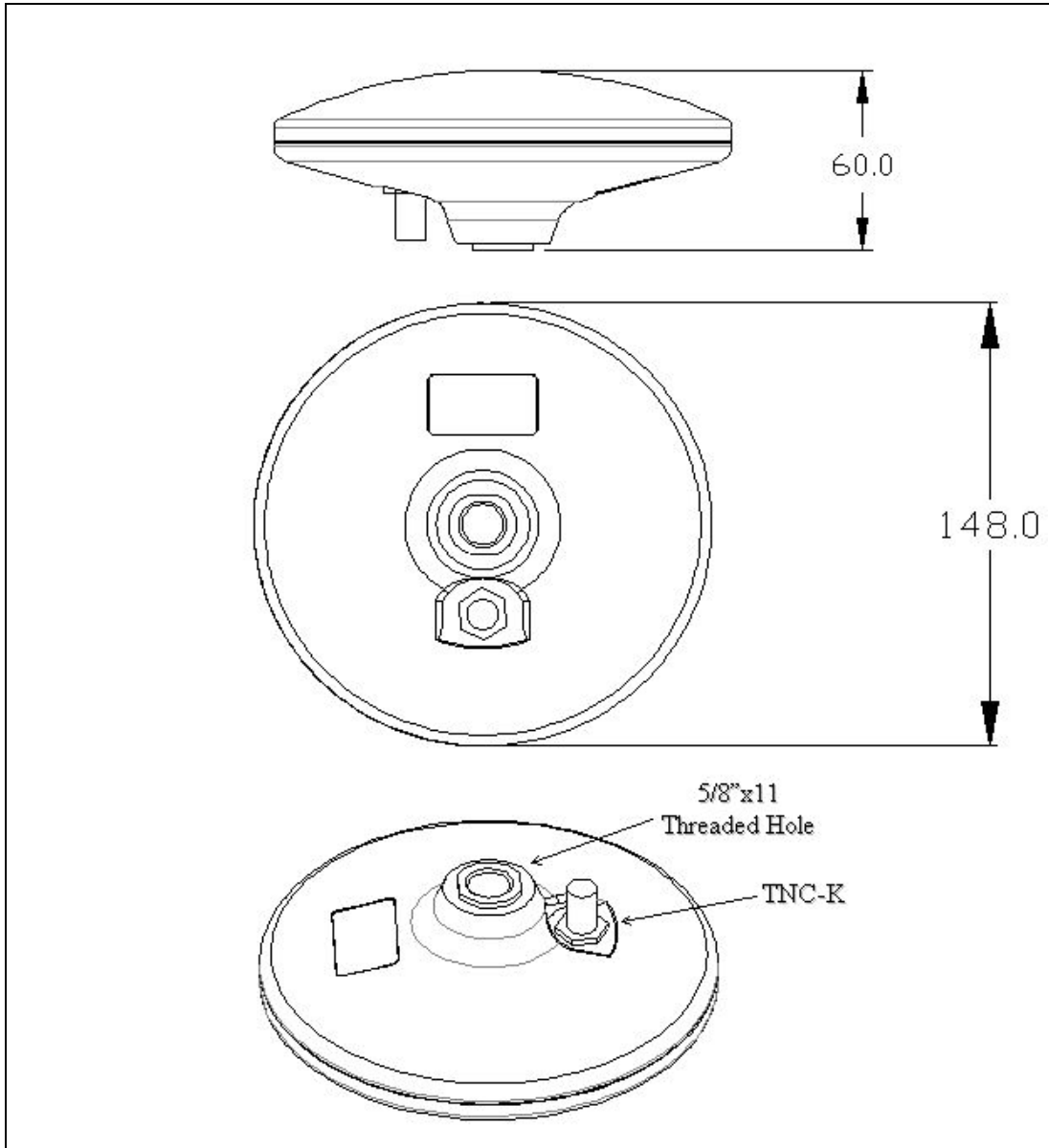


### ■ SPECIFICATIONS

ANTENNA		
PARAMETER	VALUE	
Frequency Ranges	GPS: 1575.42 MHz / 1227.60 MHz / 1176.45 MHz	
	GLONASS: 1598~1605 MHz / 1242~1248 MHz	
	BeiDou: 1575.42 MHz / 1278.75 MHz / 1191.795 MHz	
Output VSWR, max	1.5	
Impedance	50 $\Omega$	
Peak Gain	Zenith	4.5 dBic
	20° Elevation	-4.0 dBic
Phase Center, Maximum	2 mm	
Axial Ratio	Zenith	$\leq 2.0$
	20° Elevation	$\leq 4.0$
Front to Rear Ratio	$\geq 20$ dB	
Polarization	RHCP	
Connector Type	TNC-K	

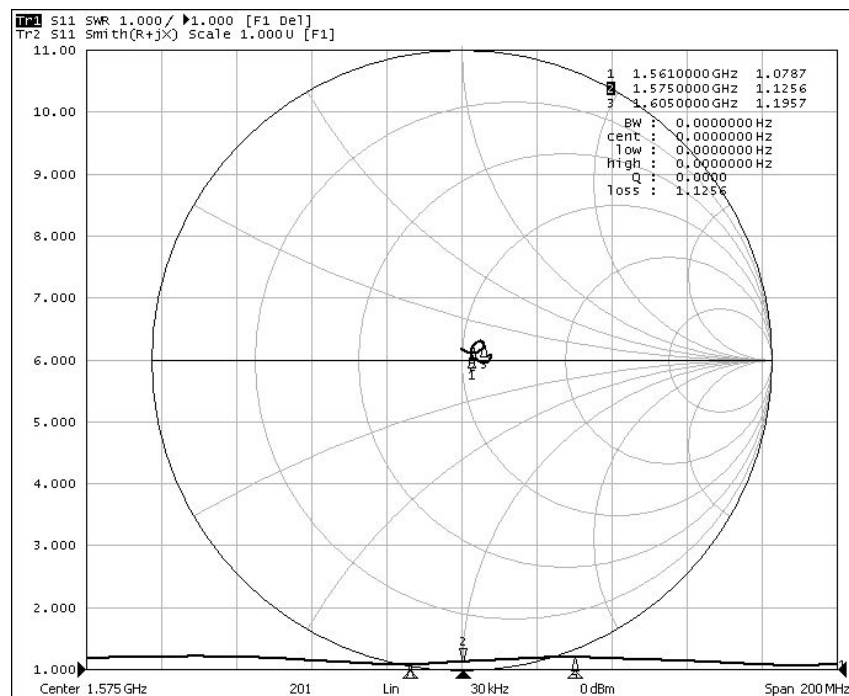
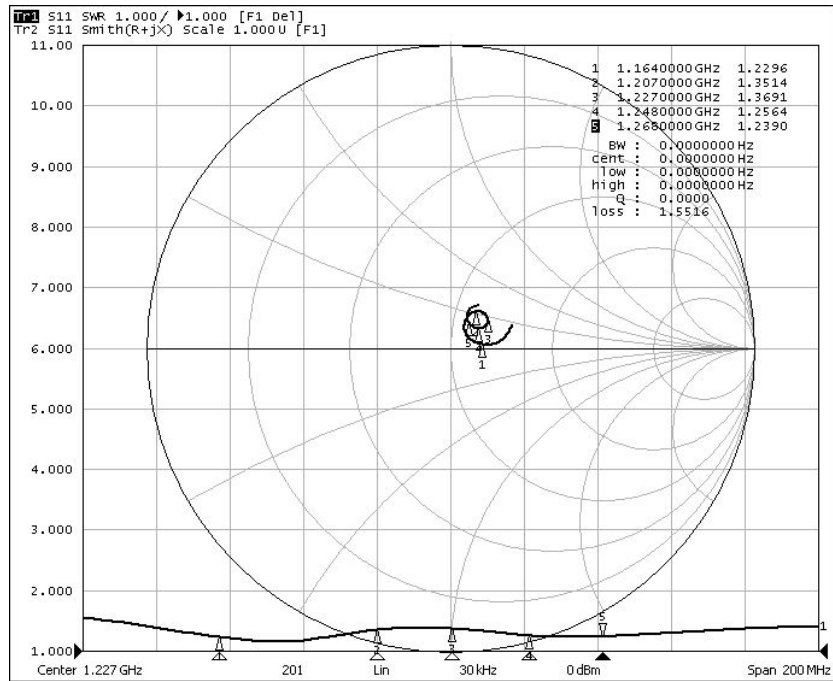
LNA		
PARAMETER	VALUE	
Frequency Ranges	GPS: 1575.42 MHz / 1227.60 MHz / 1176.45 MHz	
	GLONASS: 1598~1605 MHz / 1242~1248 MHz	
	BeiDou: 1575.42 MHz / 1278.75 MHz / 1191.795 MHz	
DC Voltage	3.3 to 9.0 V	
DC Current, max	45 mA	
LNA Gain	38 $\pm$ 3 dB	
Noise Figure, max	1.5 dB	
Out Band Rejection	F <sub>H</sub> + 100 MHz	$\geq 35$ dB
	F <sub>L</sub> - 100 MHz	$\geq 35$ dB
Output VSWR, max	2.0	

#### MECHANICAL SPECIFICATIONS

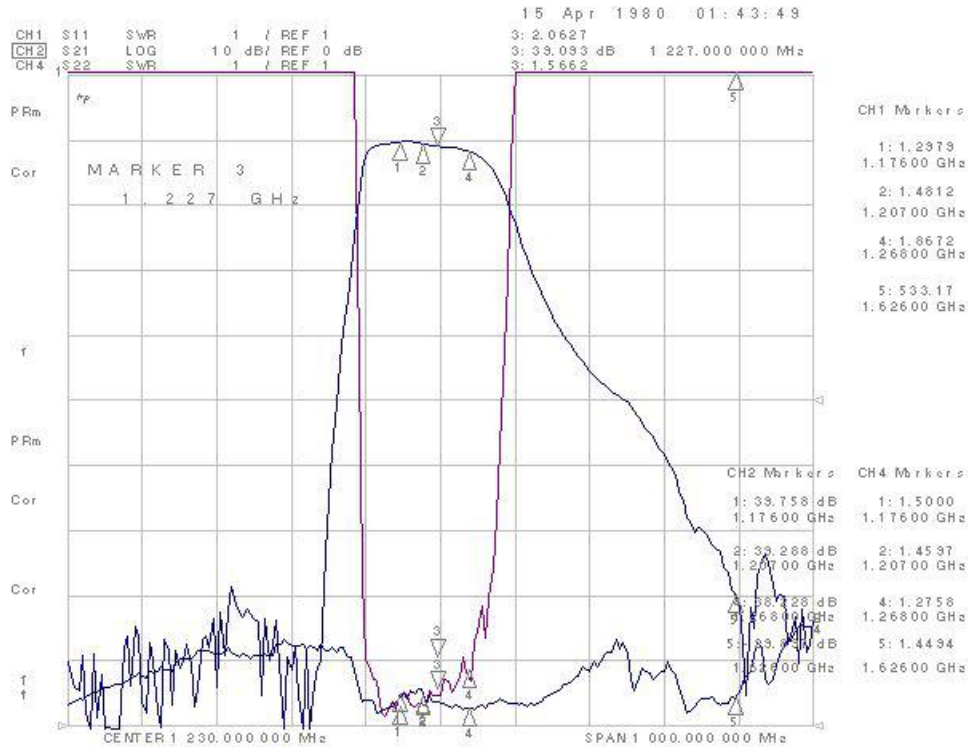


### ■ Frequency Characteristics

#### Patch Test Curve



### LNA Test Curve



### ■ ENVIRONMENTAL SPECIFICATIONS

PARAMETER	VALUE
Operating Temperature Range	-40 to +80°C
Storage Temperature Range	-40 to +85°C
ESD Protection	Observe ESD precautions when handling

May, 2016