

General Description

15x11x4mm Mobile Speaker



IP67



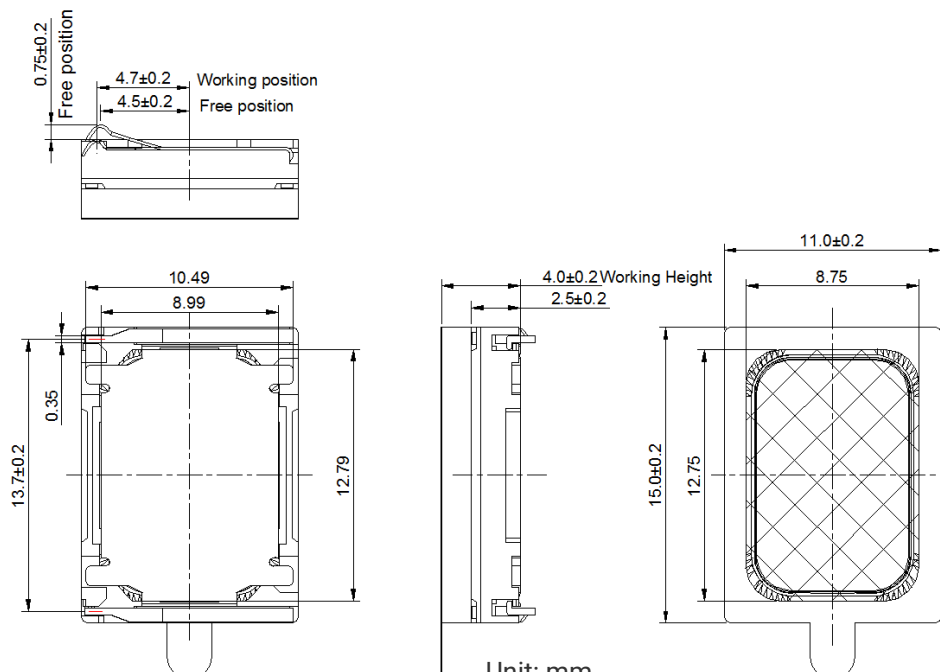
ELECTRICAL SPECIFICATIONS

Parameters		Value	Unit
Resonant Frequency (Fo)	@ 0.1 m, 0.8W in 1cc box	950 ±20%	Hz
Sound Output	@ 0.1 m, 0.8W, 2.0kHz in 1cc box	94 ±3	dB
Rated Power	In 1cc box	0.8	W
Input Power, max	In 1cc box	1.2	W
Rated Impedance	@ 2.53V, 2.5kHz	7.2±15%	Ω
Weight		1.3	g
Operating Temperature Range		-30~ +70	°C
Storage Temperature Range		-40 ~ +85	°C
Buzzes & Rattles	Should not be audible at 2.53V sine wave between 200Hz~2kHz in 1cc box and a baffle		

STANDARD TEST CONDITIONS:

Temperature: 17~25°C; Relative Humidity: 45%~80%(RH); Air Pressure: 860~1060 hPa.

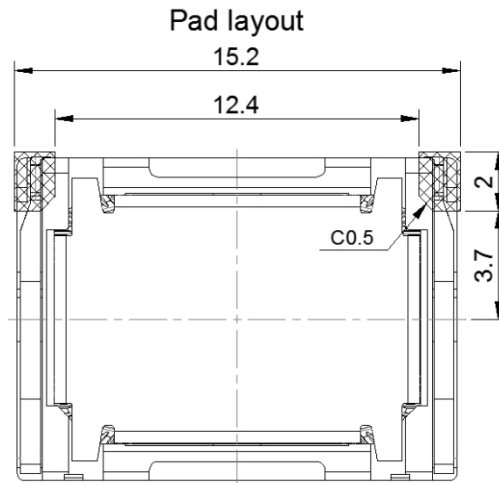
DIMENSIONS



Unit: mm

Tolerance: ±0.5mm Except Specified

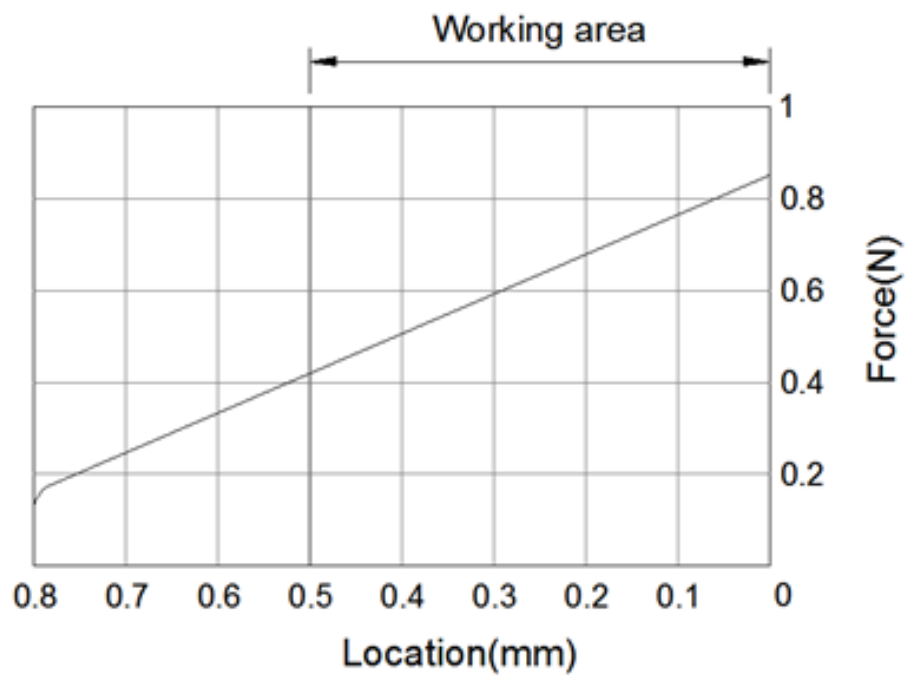
PAD LAYOUT OF SPRING CONTACT



Unit: mm

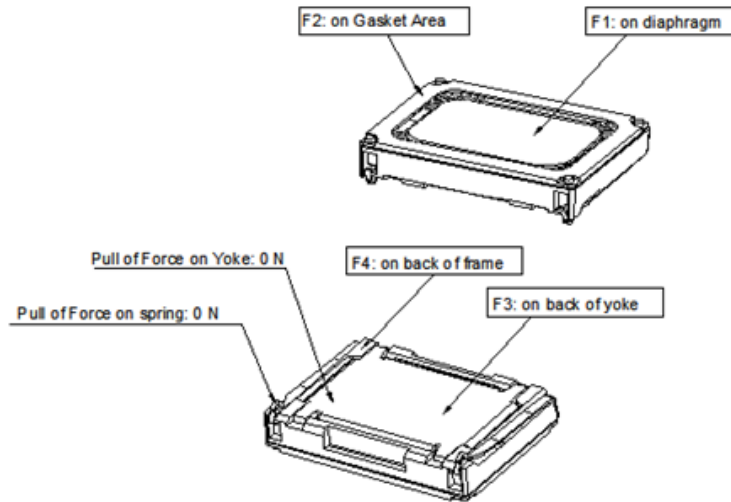
FORCE DIAGRAM

FORCE PROGRESSION OF ONE SPRING CONTACT

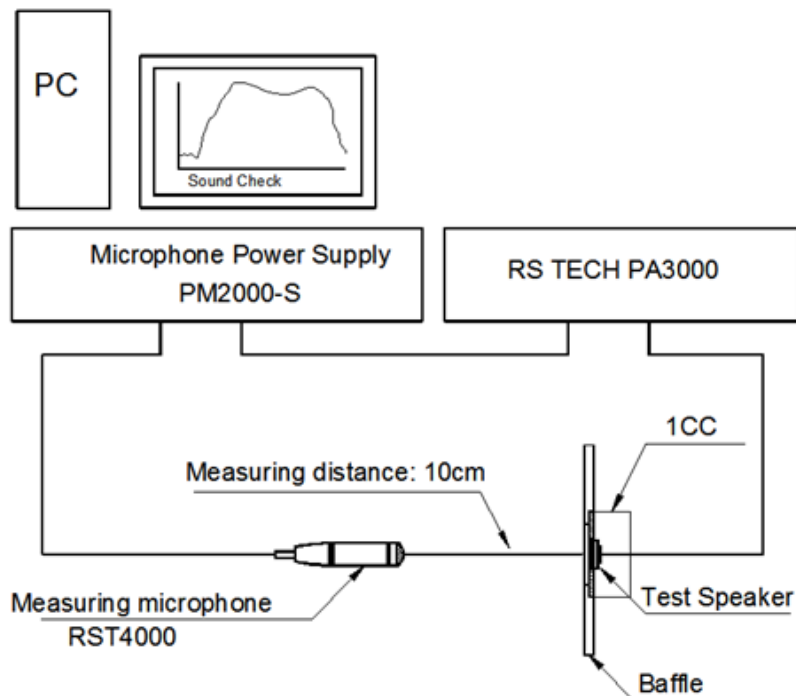


PERMITTED FORCE TO SPEAKER

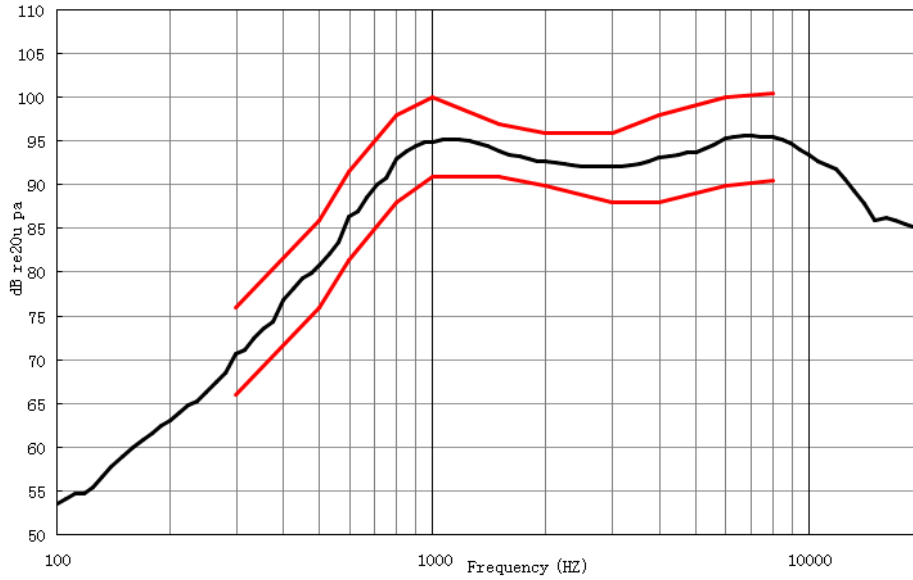
Max. Permitted Compression Forces			
NO.	From	To	Maximum Force
1	F1		0N
2	F3	F2	10N
3	F4	F2	10N



TEST METHOD

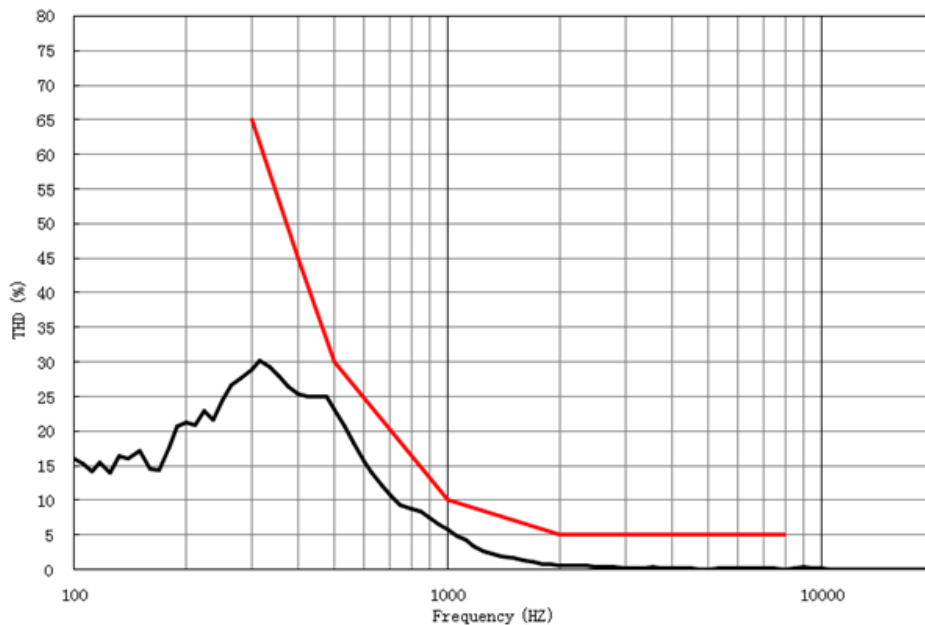


FREQUENCY RESPONSE



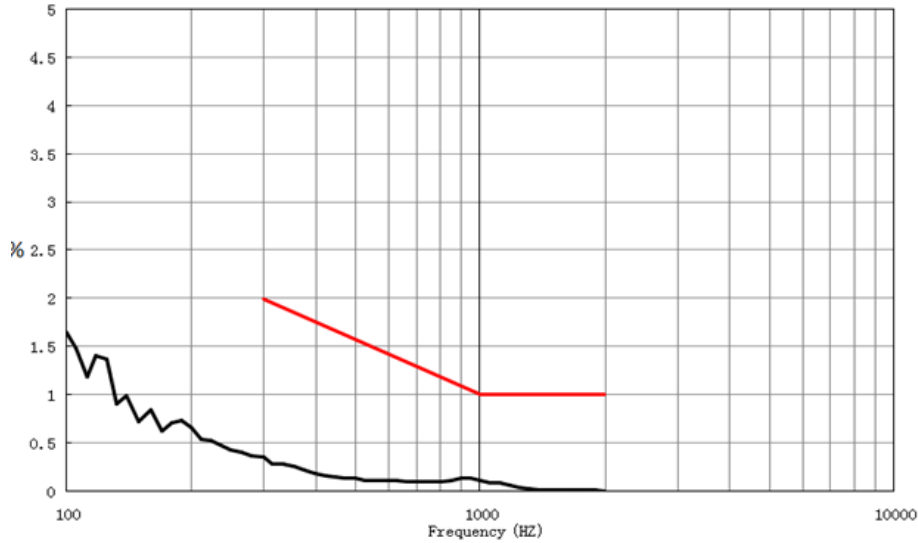
TOTAL HARMONIC DISTORTION

THD (2.53Vrms/0.1m/1CC)



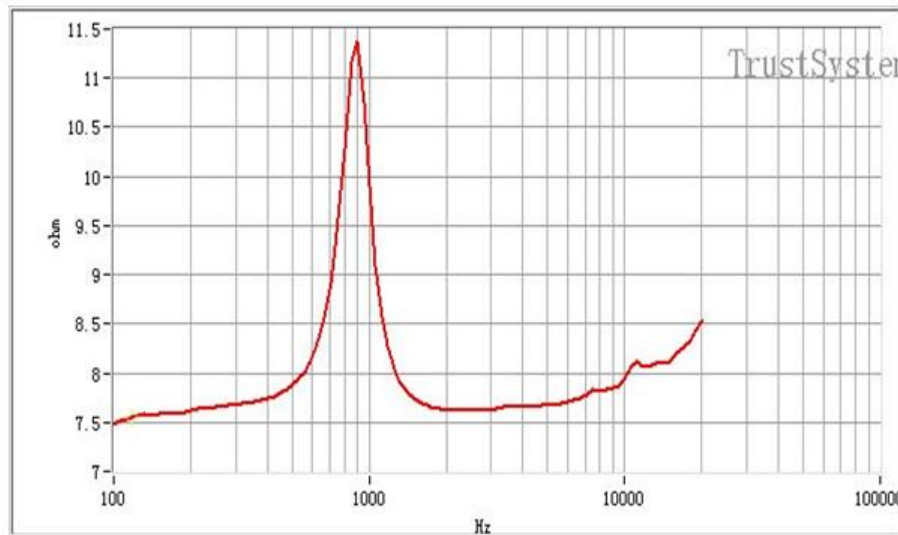
RUB&BUZZ HARMONIC

R&B (2.53Vrms in 1CC)



RESONANCE FREQUENCY

Resonance Frequency (2.53Vrms in 1CC)



APPROVAL

DRAWN BY	AR, March 27, 2024
APPROVED BY	CP, March 27, 2024
REVISION	A, Initial Release



Raltron Electronics / RAMI Technology USA, LLC, including its affiliates, employees, agents and other persons acting on its behalf (collectively Raltron/RAMI Tech), disclaim any and all liability for any errors or inaccuracies contained in this data sheet. While Raltron/RAMI Tech has made every reasonable effort to ensure the accuracy of all product information, specifications and data contained herein, Raltron/RAMI Tech does not guarantee that the information is accurate, reliable or current. The product information is provided only for reference purposes only and is subject to change, correction or revision, at any time without notice. Raltron/RAMI Tech does not assume any liability arising out of an application or use of any product described herein and disclaims any warranties expressed or implied. The user of products in such applications shall assume all risks of such use and will agree to hold Raltron/RAMI Tech, harmless against all damages.

Copyright © 2016, Raltron Electronics / RAMI Technology USA, LLC. All rights reserved. No part of this document may be reproduced in any form without the prior written permission of Raltron Electronics / RAMI Technology USA, LLC.