

## General Description

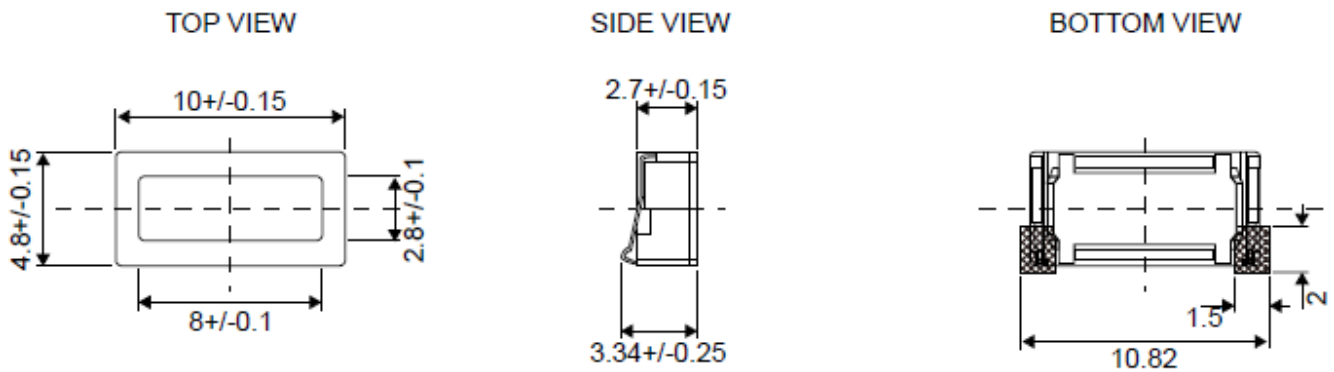
10mm x 4.8mm Mobile Speaker



## ELECTRICAL SPECIFICATIONS

Parameters			Value	Unit
Resonant Frequency (Fo)	In 0.5cc box		950 ±20%	Hz
Frequency Response			Fo ~ 10	kHz
Rated Input Power			0.25	W
Input Power, max	In 0.5cc box		0.5	W
Dimension			10 x 4.8 ±0.2	mm
Height			2.7 ±0.15	mm
Output S.P.L.	@ 0.25W / 0.1m / 2.0kHz		79±3	dB
Impedance	@2kHz/1.4V		8 ±15%	Ω
Operating Temperature Range			-20 ~ +70	°C
Storage Temperature Range			-40 ~ +85	°C
Case Material			Plastic-LCP	-
Magnet			Internal Magnet NbFeb	-
Weight			0.4±0.1	g
Reliability	Buzz & Rattle	Must be normal at Sine Wave, Fo ~ 10kHz ] in 0.5cc box	1.4	V
	Load Test	Must be normal, white noise, 24hours	0.25	W
	Heat Test	Must be normal, 24hours	+85±3	°C
	Cold Test	Must be normal, 96hours	-40±3	°C
Relative Humidity	@+40±3 °C, 24hours		92 ~ 95	%

## Dimensions



All dimensions are in mm  
Unspecified Tolerance are  $\pm 0.2$ mm

### APPROVAL

DRAWN BY	AR, February 06 2024
APPROVED BY	CP, February 06 2024
REVISION	A, Initial Release



Raltron Electronics / RAMI Technology USA, LLC, including its affiliates, employees, agents and other persons acting on its behalf (collectively Raltron/RAMI Tech), disclaim any and all liability for any errors or inaccuracies contained in this data sheet. While Raltron/RAMI Tech has made every reasonable effort ensure the accuracy of all product information, specifications and data contained herein, Raltron/RAMI Tech does not guarantee that the information is accurate, reliable or current. The product information is provided only for reference purposes only and is subject to change, correction or revision, at any time without notice. Raltron/RAMI Tech does not assume any liability arising out of an application or use of any product described herein and disclaims any warranties expressed or implied. The user of products in such applications shall assume all risks of such use and will agree to hold Raltron/RAMI Tech, harmless against all damages. Copyright © 2016, Raltron Electronics / RAMI Technology USA, LLC. All rights reserved. No part of this document may be reproduced in any form without the prior written permission of Raltron Electronics / RAMI Technology USA, LLC.