

General Description

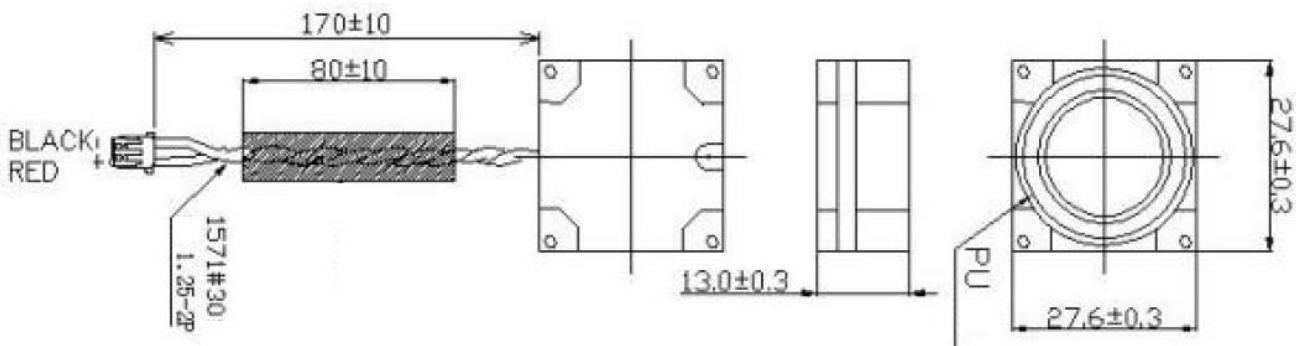
28 x 28mm Chambered Speaker



ELECTRICAL SPECIFICATIONS

Parameters		Value	Unit
Lowest Resonance Frequency	@ 2.0kHz	800±20%	Hz
Impedance	@ 2.0kHz 1.0, Vrms input	8±15%	Ω
Rated Input Power		2.0	W
Input Power, max		2.5	W
Dimension		28 x 28	mm
Height		13.0	mm
Sound Pressure Level	@ SPL (0.1m, 1.0W) at 0.8, 1.0, 1.2, 1.5kHz (0dB SPL=20μPa)	100±3	dB
Distortion, max	@ 1.0W, 3kHz	10	%
Operating Temperature Range		-25 ~ +65	°C
Storage Temperature Range		-25 ~ +65	°C
Audible Noise	The input power shall be set at rated noise power(4.0V). Using an audio oscillator sweep from 350 to 5000HZ in free air. There shall be no buzzes, rattles, nor spurious noises.		

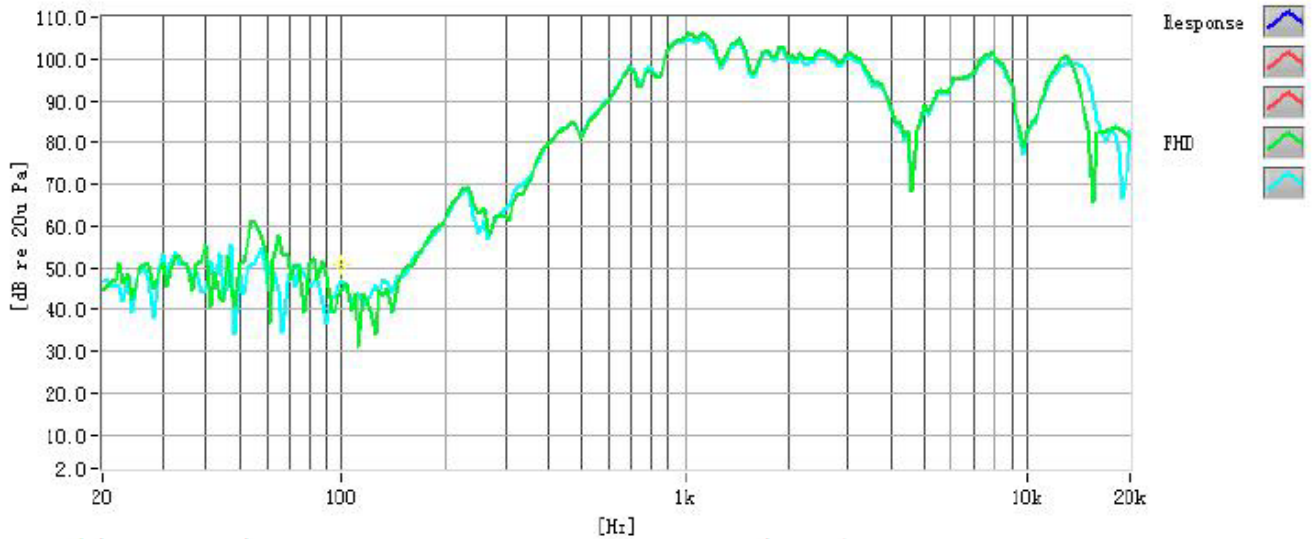
Dimensions



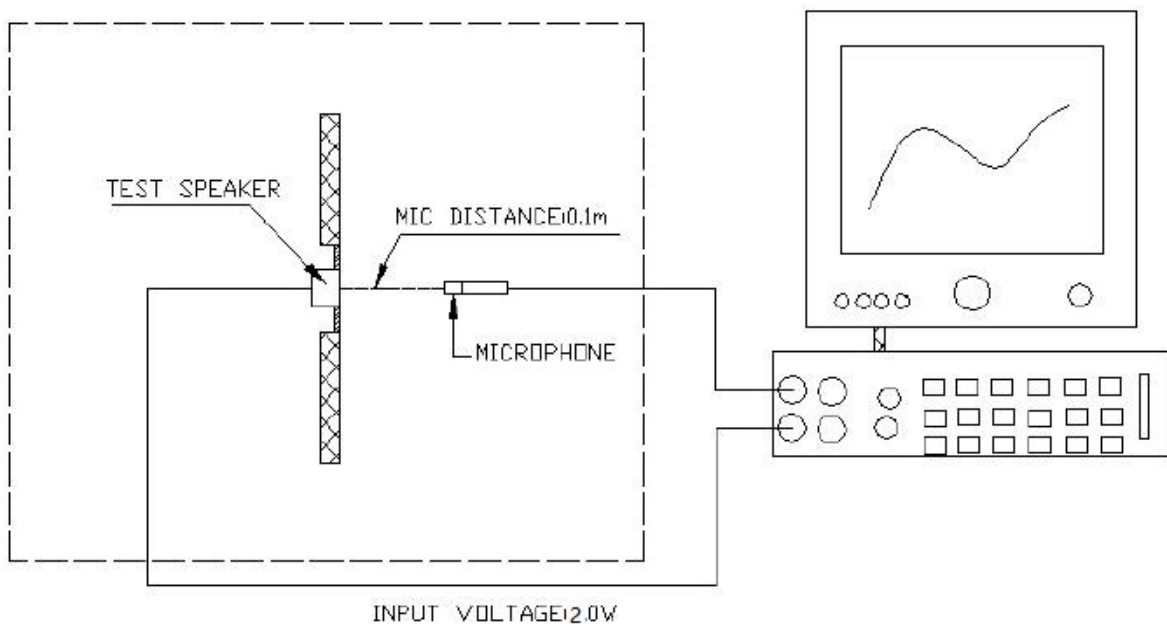
Unit: mm; Tolerance: ±0.3mm Except Specified

Frequency Characteristics

XY Graph 4



Speaker Measurement Circuit



Reliability Test

Reliability Test Performance

High Temperature Test

96 hours at +65°C±2°C

Low Temperature Test

96 hours at -25°C±2°C

Humidity Test

96 hours at +40°C±2°C, 90-96% RH

Vibration Test

Vibration: 10Hz ~ 55Hz~10Hz

Amplitude: 0.35mm or acceleration : 60m/s²

Duration : 2h per axis=10cycles ; 3 axis

Temperature Cycle Test

Temperature: -30°C +65°C

Duration : 2 hours 2 hours

Cycle: 5Cycle

Drop Test Drop

Height: 1.0m (75°)

Cycle: 6 Cycles

Load Test

Noise: White noise

Power: 2.0W

Duration: 96 hours and satisfy the test listed on item 05,08,14.

APPROVAL

DRAWN BY	AR, January 06, 2025
APPROVED BY	CP, January 06, 2025
REVISION	A, Initial Release



Raltron Electronics / RAMI Technology USA, LLC, including its affiliates, employees, agents and other persons acting on its behalf (collectively Raltron/RAMI Tech), disclaim any and all liability for any errors or inaccuracies contained in this data sheet. While Raltron/RAMI Tech has made every reasonable effort ensure the accuracy of all product information, specifications and data contained herein, Raltron/RAMI Tech does not guarantee that the information is accurate, reliable or current. The product information is provided only for reference purposes only and is subject to change, correction or revision, at any time without notice. Raltron/RAMI Tech does not assume any liability arising out of an application or use of any product described herein and disclaims any warranties expressed or implied. The user of products in such applications shall assume all risks of such use and will agree to hold Raltron/RAMI Tech, harmless against all damages. Copyright © 2016, Raltron Electronics / RAMI Technology USA, LLC. All rights reserved. No part of this document may be reproduced in any form without the prior written permission of Raltron Electronics / RAMI Technology USA, LLC.