

### General Description

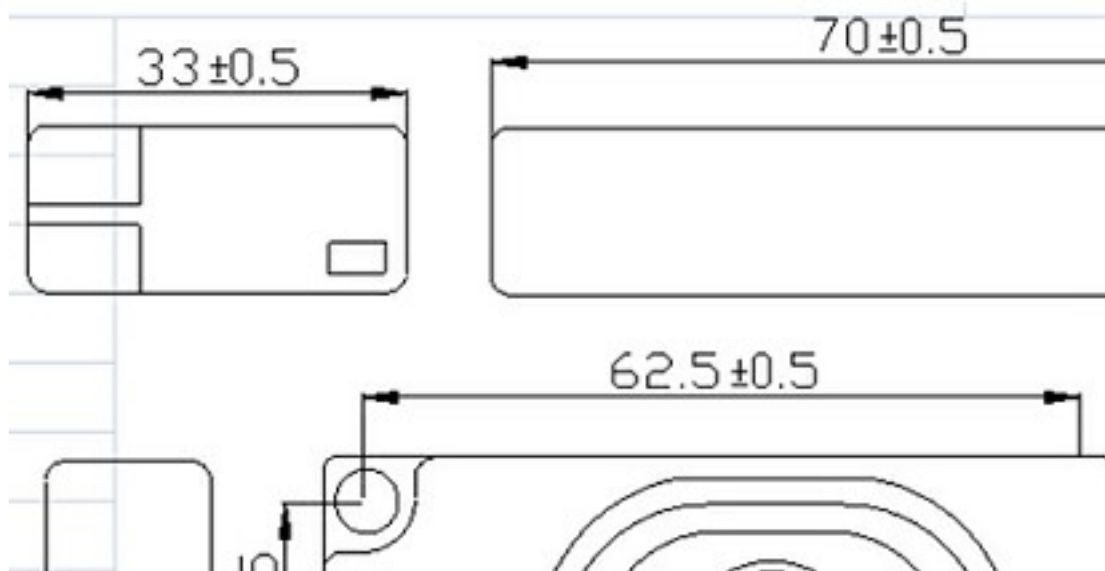
70 x 33mm Chambered Speaker



### ELECTRICAL SPECIFICATIONS

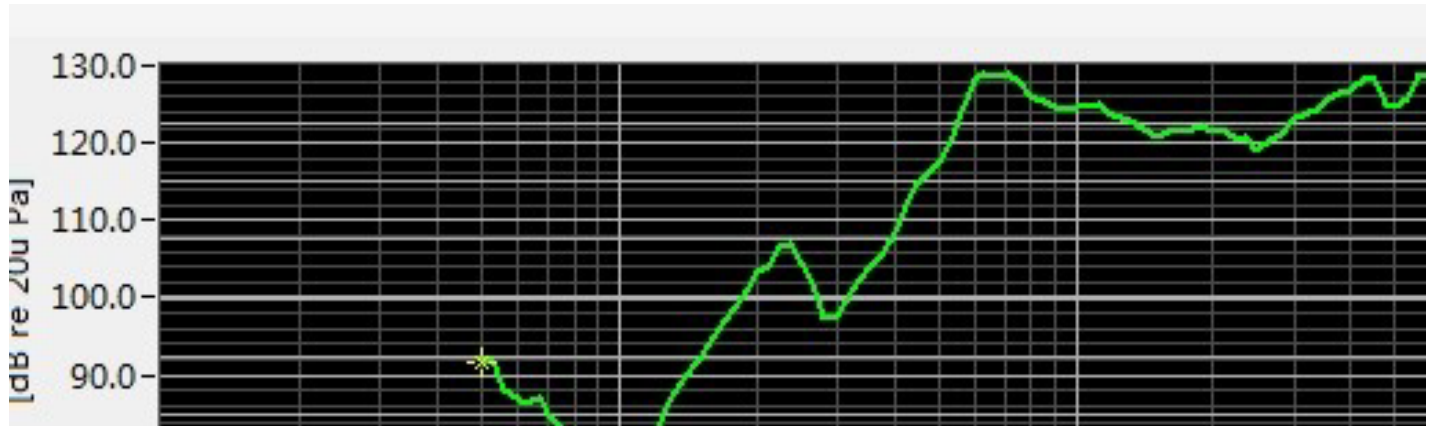
Parameters		Value	Unit
Response Frequency	@ 1Vrms	650±15%	Hz
Impedance	@ 2kHz	4±15%	Ω
Rated Noise Power		3.0	W
Short-Term Power, max		5.0	W
Sound Pressure Level	@ 1kHz (0dB SPL=20μPa), Input 3W with IEC 318	125±3	dB
Distortion, max	@ 1kHz	10	%
Operating Temperature Range		-25 ~ +65	°C
Storage Temperature Range		-40 ~ +75	°C
Audible Noise	Must be free audible noise (buzzes and rattles) (200Hz ~ 2000Hz frequency range, input level up to 3.46Vrms)		

### Dimensions

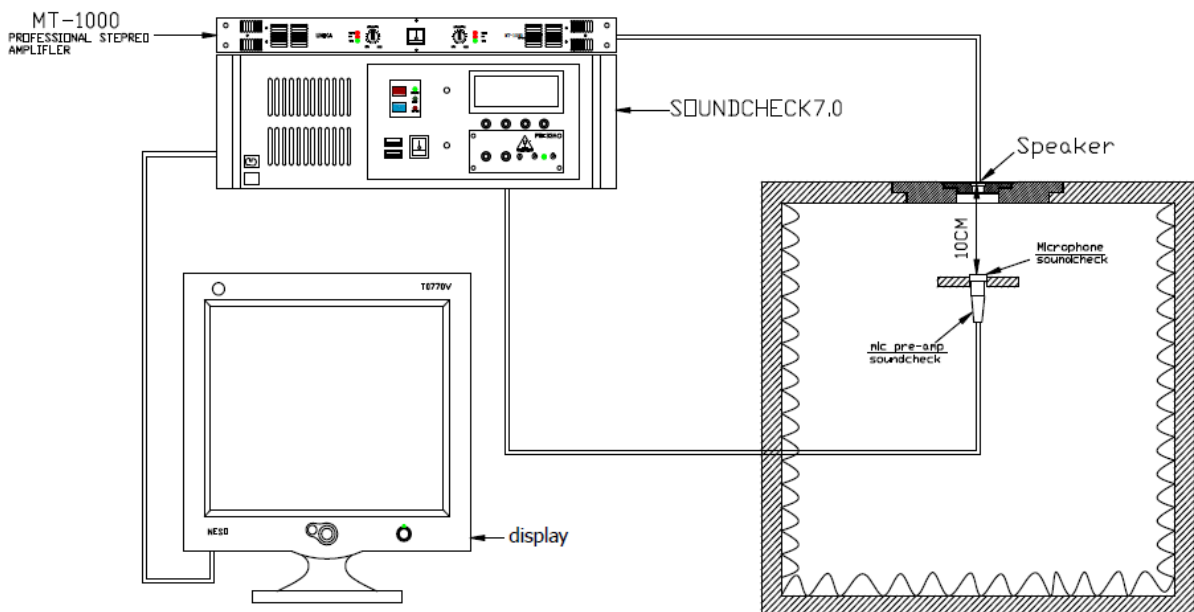


PRODUCT OUTSIDE VIEW AND DIMENSIONS  
Unit: mm

## Frequency Characteristics



## Speaker Measurement Circuit



## Reliability Test

### Reliability Test Performance

#### High Temperature Test

96hours at +75°C±2°C

#### Low Temperature Test

96hours at -40°C±2°C

#### Humidity Test

48hours at +40°C±2°C, 90-95% RH

#### Vibration Test

Noise signal : White noise (EIA filter)

Input Power: 2W

Duration : 48 hours

#### Temperature Cycle Test

Temperature: -40°C +75°C

Duration : 45min 45min

Temperature gradient: 1~3°C/min

Cycle: 10 Cycle

#### Drop Test Drop

Mounted with dummy set mass: 100 g

Height: 1.5m

Cycle: 6 Cycles

#### Heat Shock Test :

High temperature: +75±2°C

Low temperature: -40±2°C

Duration: 1 hours

Cycle: 100

### APPROVAL

DRAWN BY	AR, January 06, 2025
APPROVED BY	CP, January 06, 2025
REVISION	A, Initial Release



Raltron Electronics / RAMI Technology USA, LLC, including its affiliates, employees, agents and other persons acting on its behalf (collectively Raltron/RAMI Tech), disclaim any and all liability for any errors or inaccuracies contained in this data sheet. While Raltron/RAMI Tech has made every reasonable effort ensure the accuracy of all product information, specifications and data contained herein, Raltron/RAMI Tech does not guarantee that the information is accurate, reliable or current. The product information is provided only for reference purposes only and is subject to change, correction or revision, at any time without notice. Raltron/RAMI Tech does not assume any liability arising out of an application or use of any product described herein and disclaims any warranties expressed or implied. The user of products in such applications shall assume all risks of such use and will agree to hold Raltron/RAMI Tech, harmless against all damages. Copyright © 2016, Raltron Electronics / RAMI Technology USA, LLC. All rights reserved. No part of this document may be reproduced in any form without the prior written permission of Raltron Electronics / RAMI Technology USA, LLC.