

General Description

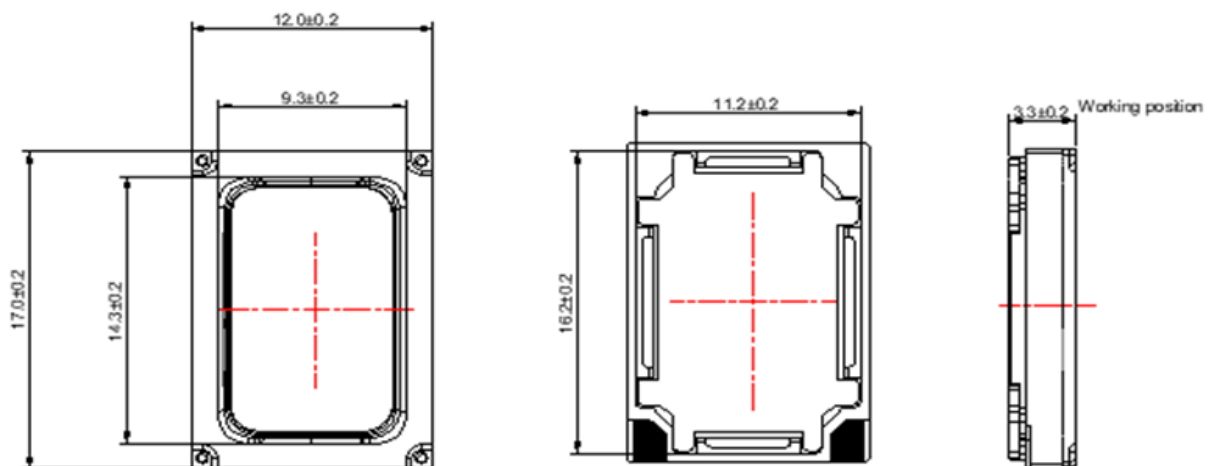
17mm x 12mm Mobile Speaker



ELECTRICAL SPECIFICATIONS

Parameters		Value	Unit
Resonant Frequency	@ 0.1m, 1.0 W, in 1cc box	1000±20%	Hz
Buzzes & Rattles	Should not be audible sine wave between F0 ~ 10kHz in 1cc box.	2.83	V
Rated Power	In 1cc box	1.0	W
Input Power, max	In 1cc box	1.2	W
Dimension		17 x 12	mm
Height		3.3±0.2	mm
Sound Output	@ 0.1m, 1.0W, 2.0kHz in 1cc box	98±3	dB
Impedance	@ 2.0 kHz	8 ±15%	Ω
Operating Temperature Range		-30 ~ +70	°C
Storage Temperature Range		-40 ~ +85	°C
THD	@ 0.1m 1.0W, 1kHz in 1cc box	≤10	%

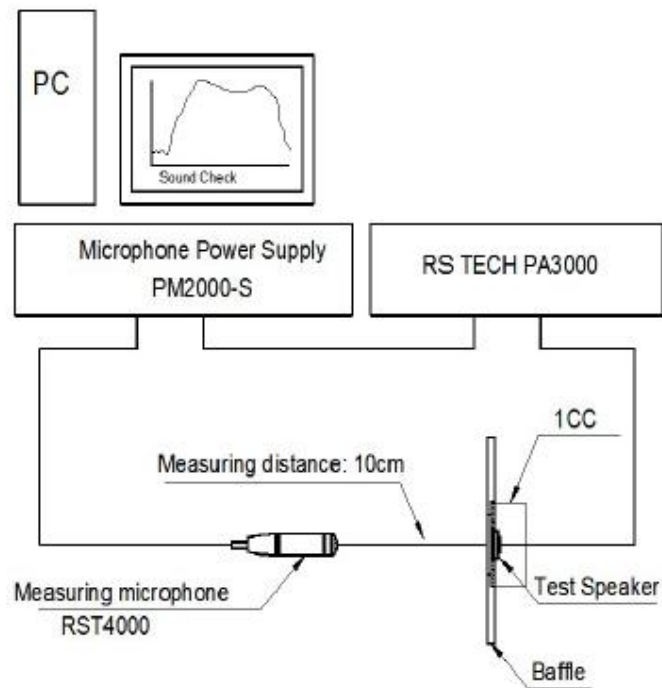
Dimensions



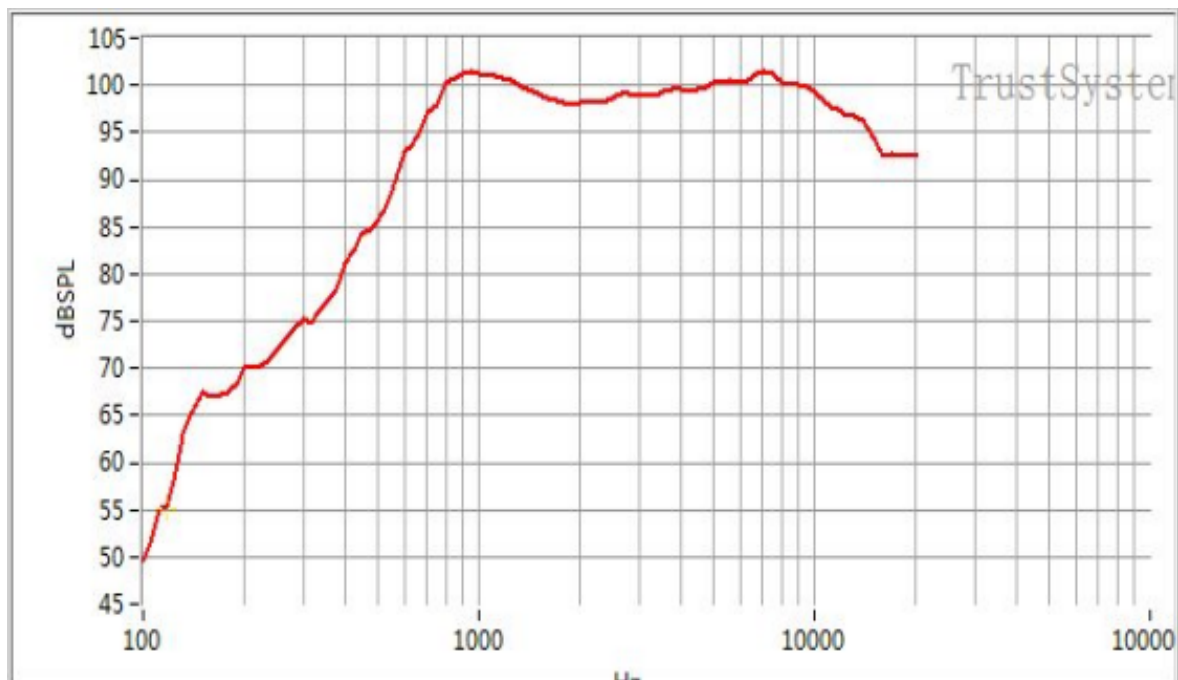
Tolerance: ±0.5mm Except Specific

Unit: mm

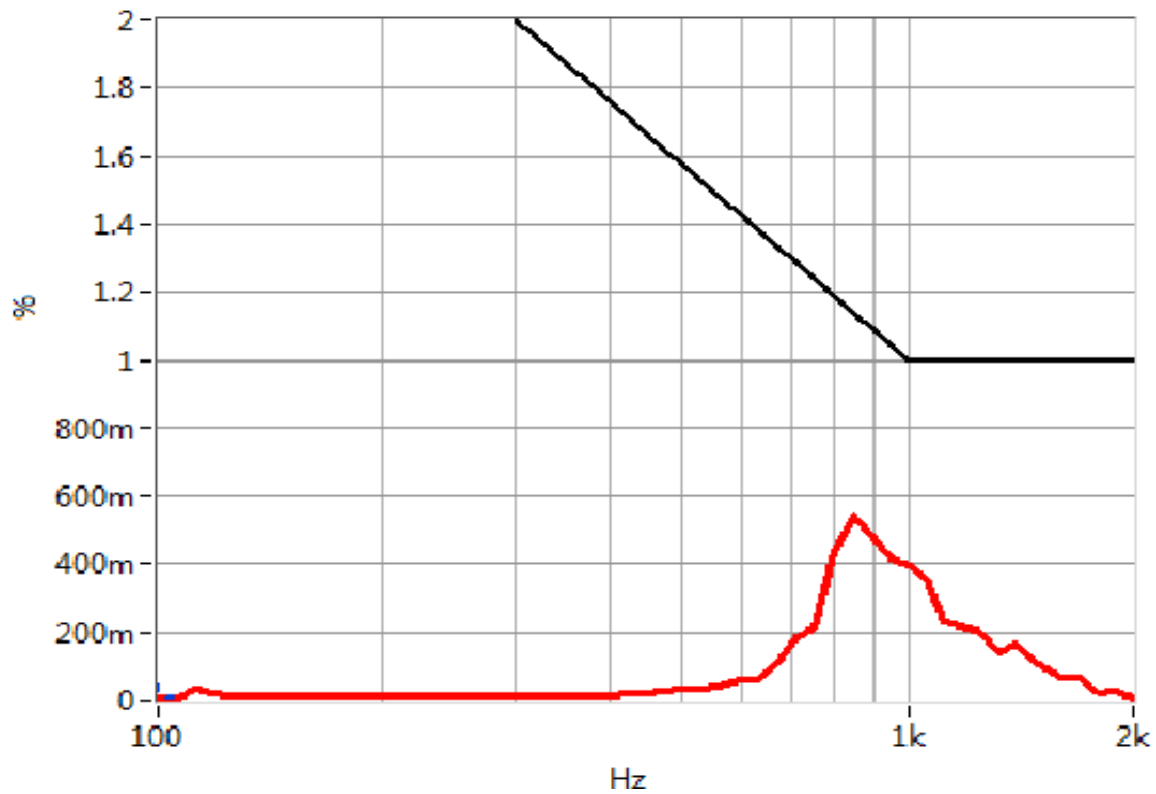
Test Method



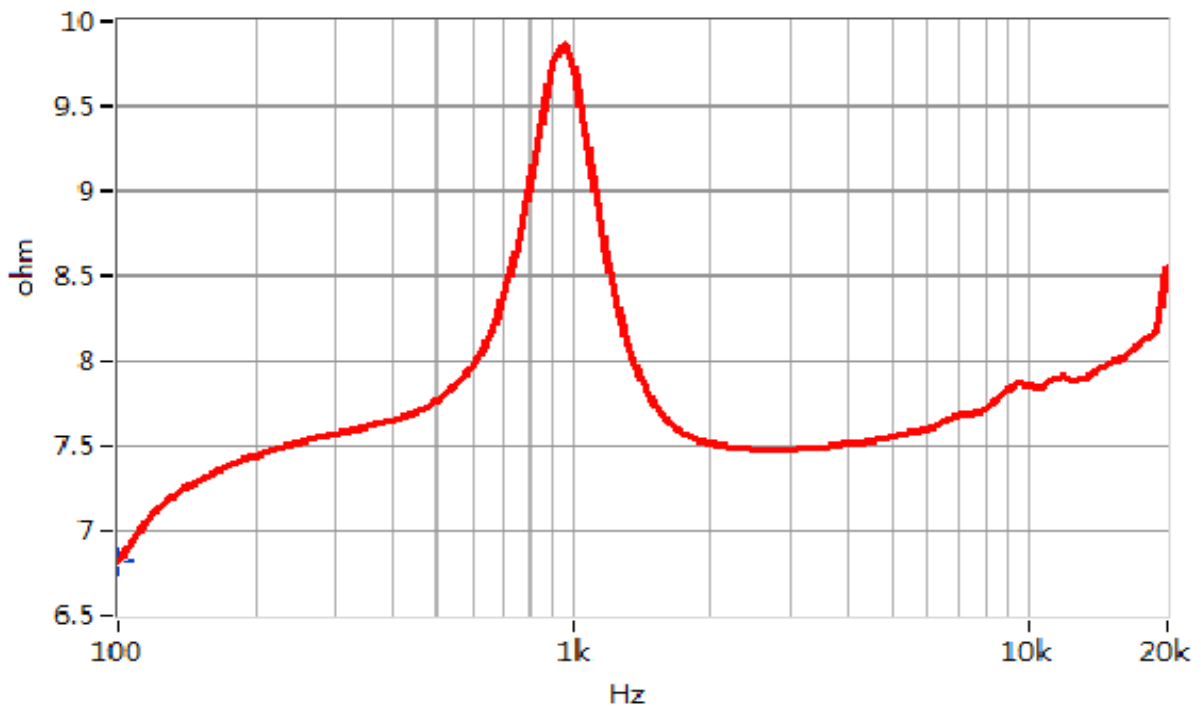
Frequency Characteristics



R&B (2.83V rms)



Resonance Frequency (2.83Vrms in 1CC)



APPROVAL

DRAWN BY	AR, March 11, 2024
APPROVED BY	CP, March 11, 2024
REVISION	A, Initial Release



Raltron Electronics / RAMI Technology USA, LLC, including its affiliates, employees, agents and other persons acting on its behalf (collectively Raltron/RAMI Tech), disclaim any and all liability for any errors or inaccuracies contained in this data sheet. While Raltron/RAMI Tech has made every reasonable effort to ensure the accuracy of all product information, specifications and data contained herein, Raltron/RAMI Tech does not guarantee that the information is accurate, reliable or current. The product information is provided only for reference purposes only and is subject to change, correction or revision, at any time without notice. Raltron/RAMI Tech does not assume any liability arising out of an application or use of any product described herein and disclaims any warranties expressed or implied. The user of products in such applications shall assume all risks of such use and will agree to hold Raltron/RAMI Tech, harmless against all damages.

Copyright © 2016, Raltron Electronics / RAMI Technology USA, LLC. All rights reserved. No part of this document may be reproduced in any form without the prior written permission of Raltron Electronics / RAMI Technology USA, LLC.