

General Description

12mm OD x 3.4mm Round Speaker



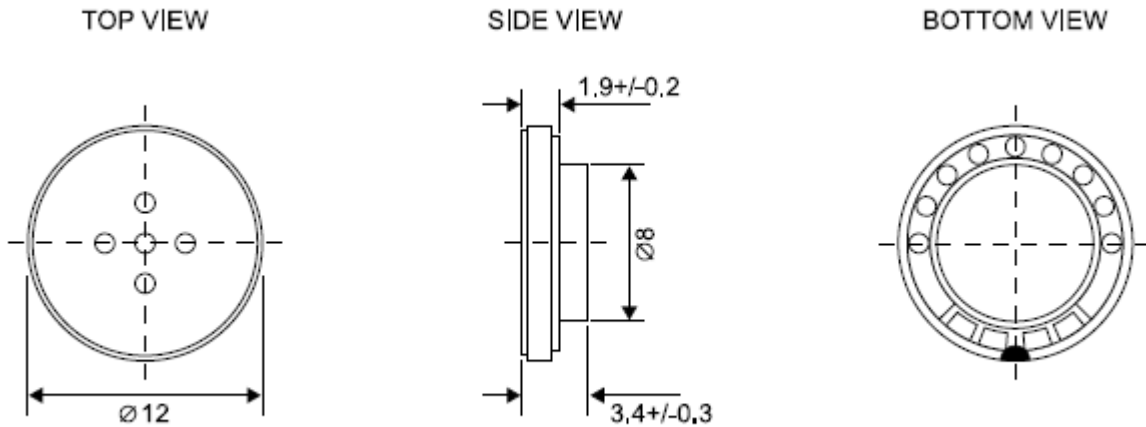
IP67



ELECTRICAL SPECIFICATIONS

Parameters			Value	Unit
Resonant Frequency (Fo)	@ 1V		1000 ±20%	Hz
Frequency Response			Fo ~ 10	kHz
Rated Input Power, max			0.3	W
Input Power, max			0.5	W
Dimension			12 x 8 ±0.5	mm
Height			3.4 ±0.3	mm
Output S.P.L.	@ 0.1W / 0.1m ave. 0.8, 1.0, 1.2, 1.5kHz		83±3	dB
Impedance			8 ±15%	Ω
Operating Temperature Range			-30~ +70	°C
Storage Temperature Range			-40 ~ +85	°C
Case Material			Metal	-
Magnet			Internal Magnet	-
Weight			1.3	g
Reliability	Buzz & Rattle	Must be normal at sine, Fo ~ 20kHz]	1.55	V
	Load Test	Must be normal, white noise, 96hours	0.3	W
	Heat Test	Must be normal, 96hours	+85±3	°C
	Cold Test	Must be normal, 24hours	-40±3	°C
IP Rating			IP67	-

Dimensions



All dimensions are in mm

APPROVAL

DRAWN BY	AR, November 15, 2023
APPROVED BY	CP, November 15, 2023
REVISION	A, Initial Release



Raltron Electronics / RAMI Technology USA, LLC, including its affiliates, employees, agents and other persons acting on its behalf (collectively Raltron/RAMI Tech), disclaim any and all liability for any errors or inaccuracies contained in this data sheet. While Raltron/RAMI Tech has made every reasonable effort ensure the accuracy of all product information, specifications and data contained herein, Raltron/RAMI Tech does not guarantee that the information is accurate, reliable or current. The product information is provided only for reference purposes only and is subject to change, correction or revision, at any time without notice. Raltron/RAMI Tech does not assume any liability arising out of an application or use of any product described herein and disclaims any warranties expressed or implied. The user of products in such applications shall assume all risks of such use and will agree to hold Raltron/RAMI Tech, harmless against all damages. Copyright © 2016, Raltron Electronics / RAMI Technology USA, LLC. All rights reserved. No part of this document may be reproduced in any form without the prior written permission of Raltron Electronics / RAMI Technology USA, LLC.