

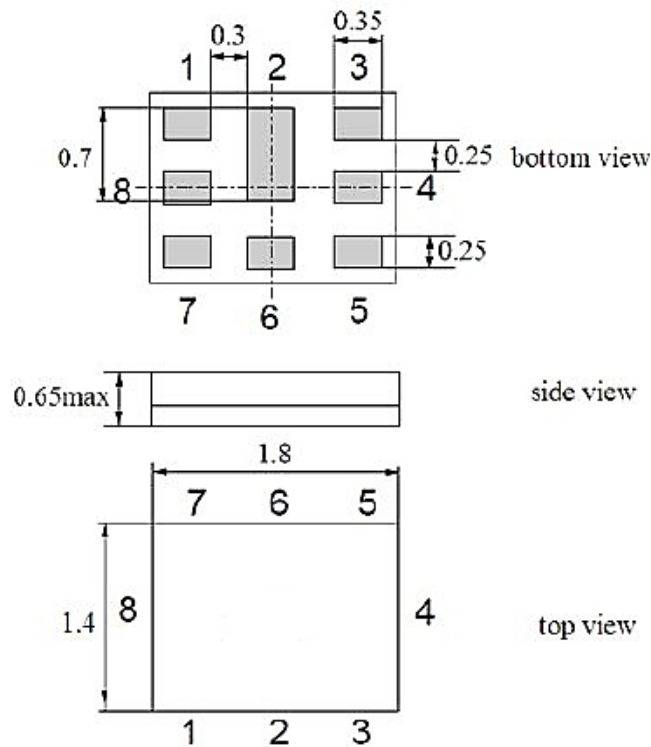
- ❖ Low-Loss Saw Duplexer for Mobile Telephone LTE and WCDMA Band1 systems.
- ❖ Low Insertion Attenuation and Low Passband Ripple.
- ❖ Usable Passband 60MHz
- ❖ High Isolation between Tx and Rx.
- ❖ RoHS Compatible

### Electrical Specifications

Parameters		Value	Unit		
Tx to ANT	Insertion Loss, typ/max	1920 ~ 1980 MHz	2.0 / 2.5	dB	
	Pass Band Ripple typ/max	1920 ~ 1980 MHz	0.5 / 1.0	dB	
	VSWR, typ/max	ANT	1920 ~ 1980 MHz	1.6 / 2.0	-
		Tx		1.6 / 2.0	-
	Input Power (+50°C, 5000h, CW)	1920 ~ 1980 MHz	29	dBm	
	Absolute Attenuation, min/typ	420 ~ 494 MHz	44 / 53	dB	
		843 ~ 894 MHz	40 / 43	dB	
		1566 ~ 1574 MHz	38 / 42	dB	
		1574 ~ 1605 MHz	40 / 43	dB	
		1605 ~ 1865 MHz	25 / 36	dB	
		1865 ~ 1880 MHz	10 / 37	dB	
		2010 ~ 2025 MHz	18 / 25	dB	
		2110 ~ 2170 MHz	42 / 47	dB	
		2400 ~ 2500 MHz	33 / 36	dB	
2620 ~ 2690 MHz		30 / 33	dB		
3840 ~ 3960 MHz	26 / 33	dB			
5150 ~ 5940 MHz	18 / 22	dB			
ANT to Rx	Insertion Loss, typ/max	2110 ~ 2170 MHz	2.0 / 2.5	dB	
	Passband Ripple typ/max	2110 ~ 2170 MHz	0.3 / 1.0	dB	
	VSWR, typ/max	ANT	2110 ~ 2170 MHz	1.6 / 2.0	-
		Rx		1.6 / 2.0	-
	Absolute Attenuation, min/typ	1920 ~ 1980 MHz	45 / 58	dB	
		1980 ~ 2025 MHz	27 / 37	dB	
		2250 ~ 2400 MHz	15 / 44	dB	
2400 ~ 2484 MHz		30 / 45	dB		
2484 ~ 6000 MHz		35 / 45	dB		
Tx to Rx	Isolation, min/typ	1920 ~ 1980 MHz	56 / 60	dB	
		2110 ~ 2170 MHz	52 / 57	dB	
Terminating Impedance	Tx Port	50Ω			
	Rx Port	100Ω (balanced) // 15nH			
	ANT Port	50Ω // 3.0nH			

Parameters		Value	Unit
DC Voltage VDC		3	V
ESD Voltage Sensitive Discharge Device	ESD (MM)	50	VDC
	ESD (HBM)	175	VDC
Operating Temperature Range		-30 ~ +85	°C
Storage Temperature Range		-40 ~ +85	°C
Moisture Sensitivity Level		2	-

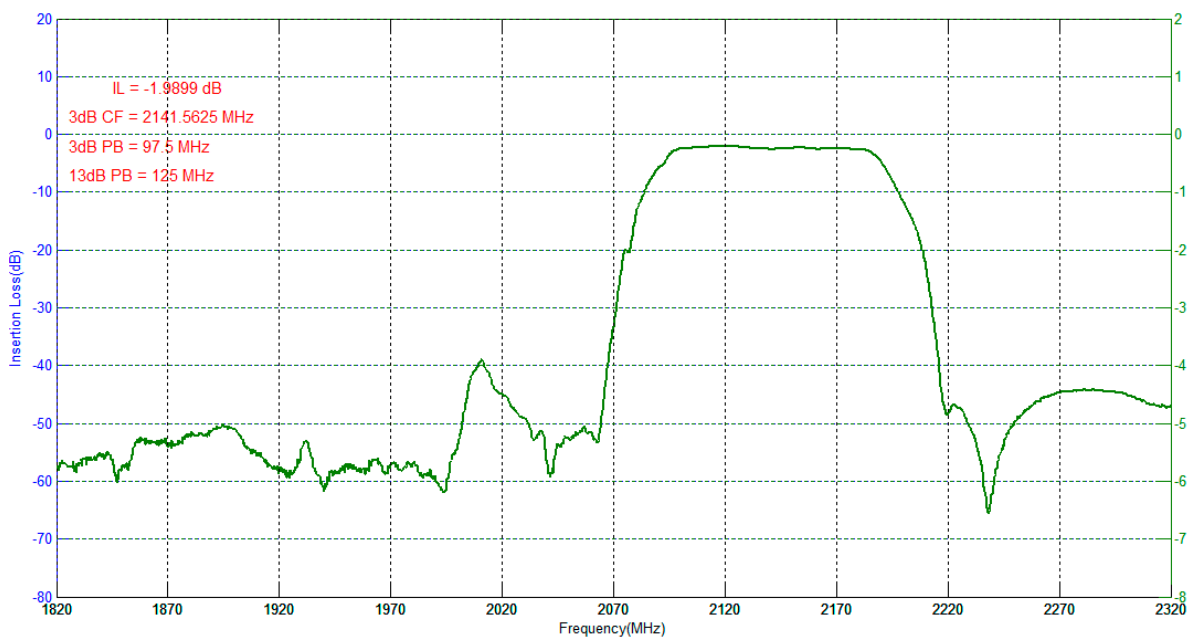
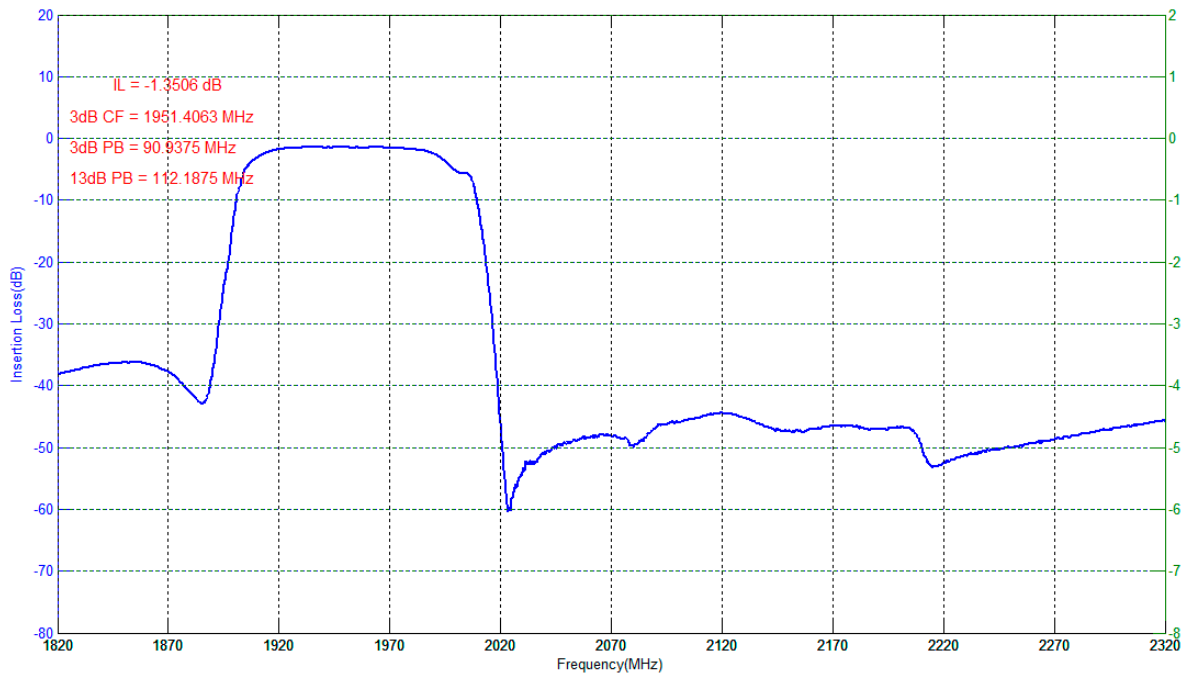
### Dimensions



Unit: mm

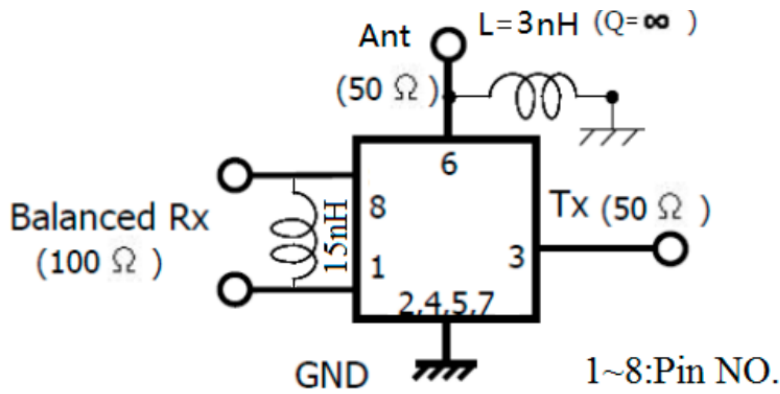
PIN	SYMBOL	FUNCTION
1, 8	Rx	R <sub>x</sub> Balanced
2,4,5,7,	GND	Ground
3	Tx	T <sub>x</sub> Input
6	ANT	Antenna

### Frequency Characteristics





### Test Circuit



#### APPROVAL

DRAWN BY	AR, October 16, 2019
APPROVED BY	CP, October 16, 2019
REVISION	A, Initial Release



Raltron Electronics / RAMI Technology USA, LLC, including its affiliates, employees, agents and other persons acting on its behalf (collectively Raltron/RAMI Tech), disclaim any and all liability for any errors or inaccuracies contained in this data sheet. While Raltron/RAMI Tech has made every reasonable effort ensure the accuracy of all product information, specifications and data contained herein, Raltron/RAMI Tech does not guarantee that the information is accurate, reliable or current. The product information is provided only for reference purposes only and is subject to change, correction or revision, at any time without notice. Raltron/RAMI Tech does not assume any liability arising out of an application or use of any product described herein and disclaims any warranties expressed or implied. The user of products in such applications shall assume all risks of such use and will agree to hold Raltron/RAMI Tech, harmless against all damages.

Copyright © 2016, Raltron Electronics / RAMI Technology USA, LLC. All rights reserved. No part of this document may be reproduced in any form without the prior written permission of Raltron Electronics / RAMI Technology USA, LLC.