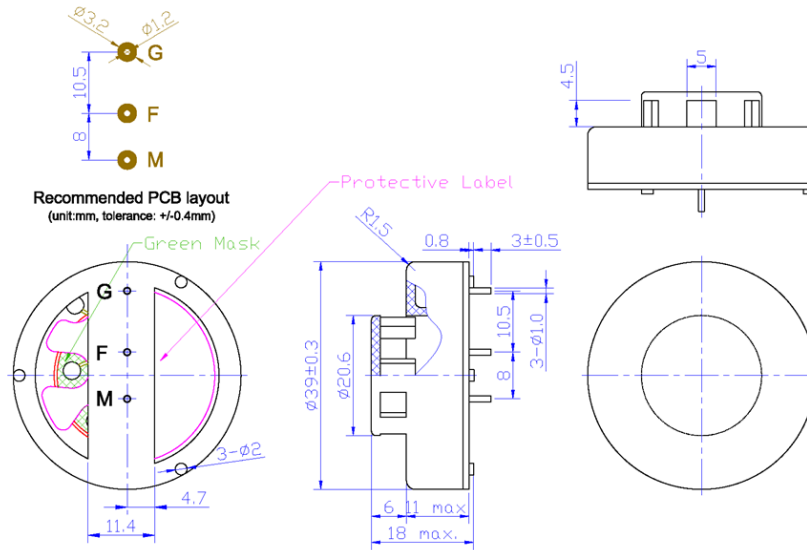




Electrical Specifications

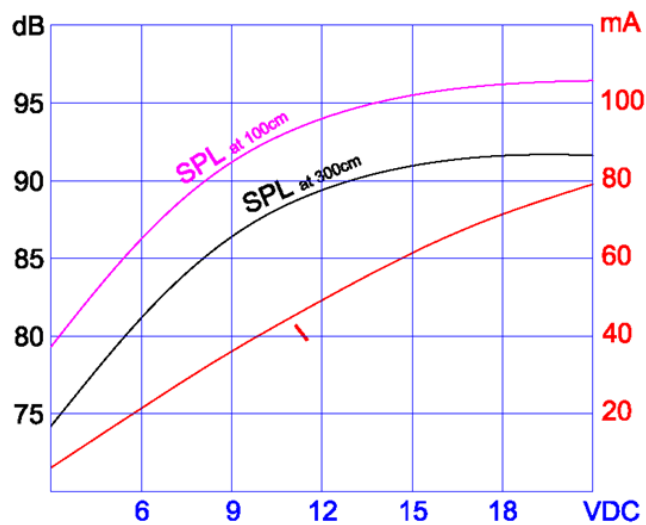
PARAMETERS			VALUE	UNIT	
Operating Frequency			3200±500	Hz	
Operating Voltage, max			12	VDC	
Rated Voltage			6~ 20	VDC	
Sound Output	min	@ 12VDC, 300 cm, 25°C	85	dB	
Rated Current, max			60	mA	
Capacitance			@ 100 Hz, 1Vrms	25000±30%	
High Temperature Reliability		No Function for 240 hours	+105±2	°C	
		Function for 240 hours	+95±2	°C	
Low Temperature Reliability		No Function 240 hours	-40 ±2	°C	
		Function for 240 hours	-30±2	°C	
Humidity			@ +40±2 °C, R.H 240 hours	90~95	
Life Test			@ 12 VDC in room temperature, 1 ON 4 OFF, continuously	1000	
Termination Strength, max			5.0	N	
Operating Temperature Range			-30 ~ +95	°C	
Storage Temperature Range			-40~ +105	°C	
Description			3 PC pins, electro-tin-plated brass	-	
Case			Plastic, NORYL PX9406	-	
Diaphragm			Stainless Steel 304	-	
Weight, typ			8.6	g	
Thermal Cycle		-30±2°C, 0.5hr +25±2°C, 0.25hr +95±2°C, 0.5hr +25±2°C 0.25hr	Temperature Go up or Drop time is 0.5 hr. 3 hrs per 1 cycle	5	cycles
Vibration	@ 10 to 50Hz of vibration frequency to each of 3 perpendicular directions for 2 hours		1.5	mm	
Shock	@ Shock for each mutually perpendicular directions, half sine wave, 3 times each		980	m/s2	
Drop Test		Dropped naturally from 750mm height onto the surface of 10mm wooden board. 2 directions – upper and side of the part are applied			

Dimension

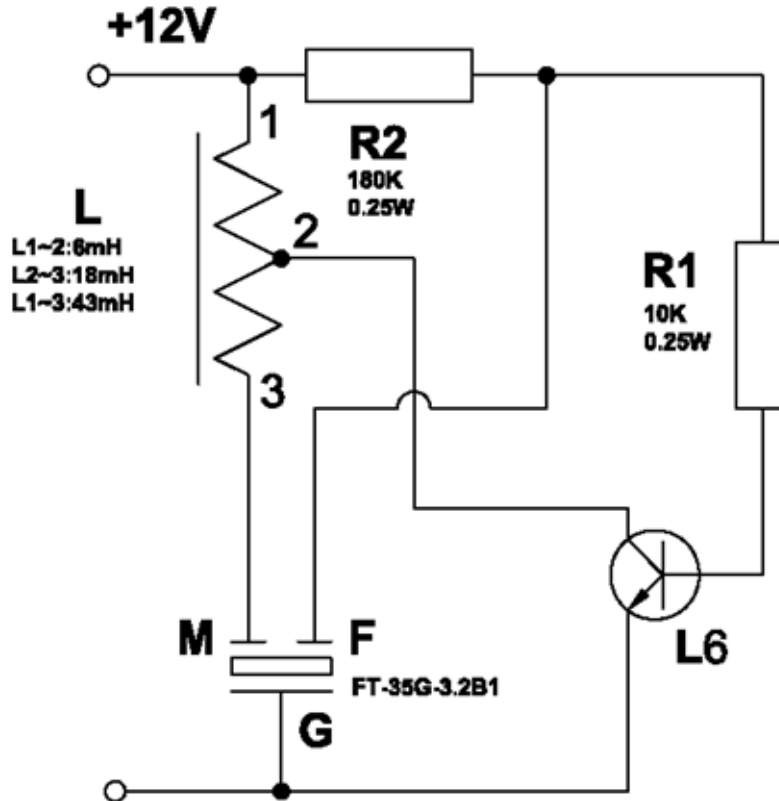


Unit: mm

Frequency Characteristics



Driving Circuit



• APPROVAL

DRAWN BY	AR, July 24, 2024
APPROVED BY	CP, July 24, 2024
REVISION	A, Initial Release

Raltron Electronics / RAMI Technology USA, LLC, including its affiliates, employees, agents and other persons acting on its behalf (collectively Raltron/RAMI Tech), disclaim any and all liability for any errors or inaccuracies contained in this data sheet. While Raltron/RAMI Tech has made every reasonable effort ensure the accuracy of all product information, specifications and data contained herein, Raltron/RAMI Tech does not guarantee that the information is accurate, reliable or current. The product information is provided only for reference purposes only and is subject to change, correction or revision, at any time without notice. Raltron/RAMI Tech does not assume any liability arising out of an application or use of any product described herein and disclaims any warranties expressed or implied. The user of products in such applications shall assume all risks of such use and will agree to hold Raltron/RAMI Tech, harmless against all damages.

Copyright © 2016, Raltron Electronics / RAMI Technology USA, LLC. All rights reserved. No part of this document may be reproduced in any form without the prior written permission of Raltron Electronics / RAMI Technology USA, LLC.