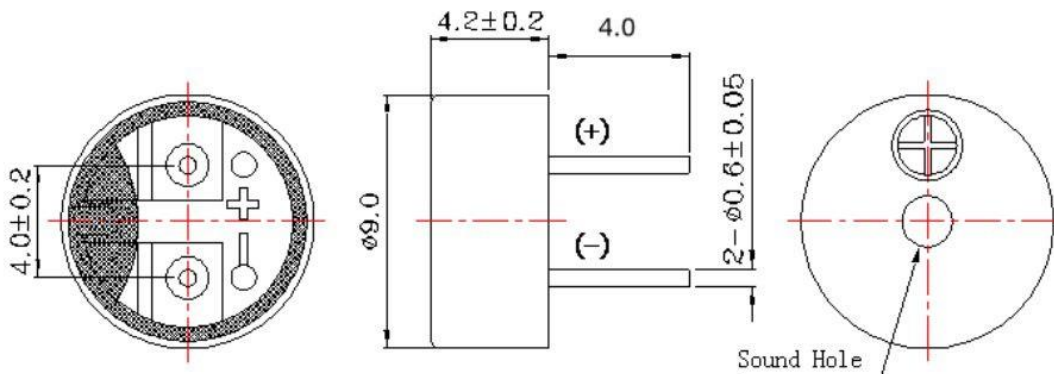




Electrical Specifications

PARAMETERS		VALUE	UNIT
Oscillation Frequency		2700	Hz
Operating Voltage		2 ~ 4	Vp-p
Rated Voltage		3.0	Vp-p
Current, max	@ Standard State, Standard Drive Circuit. Rated voltage, Distance at 0.1m	80	mA
Sound Pressure Level, min		80	dB
Coil Resistance		16 ±5	Ω
Operating Temperature Range		-30 ~ +70	°C
Storage Temperature Range		-30 ~ +80	°C
Housing Material		PBT	-
Weight		0.6	g
External Size		Φ9 x 4.2	mm

Dimension

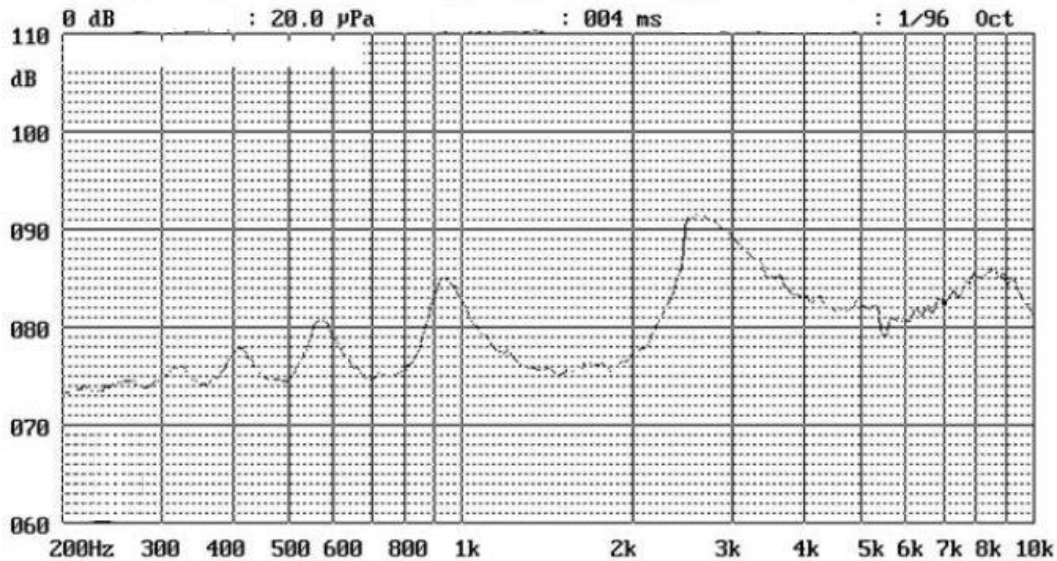


Unit: mm; Tolerance: ±0.5mm Except Specified

Housing Material: Black

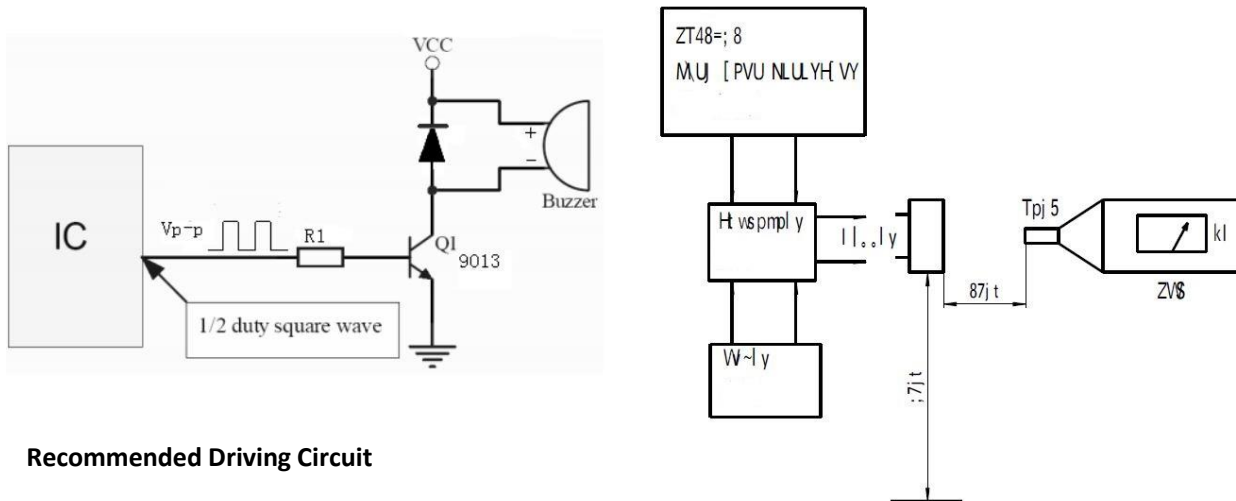
Unit: mm

Frequency Characteristics



5.0V_{o-p} 50% duty Square wave, 10cm

Electrical and Acoustical Measuring Condition



Recommended Driving Circuit

Resonant frequency, 1/2 duty cycle. Square wave.
Signal amplitude should be large enough to saturate the transistor.



A **RAMI TECHNOLOGY** Company

TRANSDUCER

Page 3 of 3

RDT-2.700-9042-NS1

- **APPROVAL**

DRAWN BY	AR, March 28, 2024
APPROVED BY	CP, March 28, 2024
REVISION	A, Initial Release

Raltron Electronics / RAMI Technology USA, LLC, including its affiliates, employees, agents and other persons acting on its behalf (collectively Raltron/RAMI Tech), disclaim any and all liability for any errors or inaccuracies contained in this data sheet. While Raltron/RAMI Tech has made every reasonable effort ensure the accuracy of all product information, specifications and data contained herein, Raltron/RAMI Tech does not guarantee that the information is accurate, reliable or current. The product information is provided only for reference purposes only and is subject to change, correction or revision, at any time without notice. Raltron/RAMI Tech does not assume any liability arising out of an application or use of any product described herein and disclaims any warranties expressed or implied. The user of products in such applications shall assume all risks of such use and will agree to hold Raltron/RAMI Tech, harmless against all damages.

Copyright © 2016, Raltron Electronics / RAMI Technology USA, LLC. All rights reserved. No part of this document may be reproduced in any form without the prior written permission of Raltron Electronics / RAMI Technology USA, LLC.