

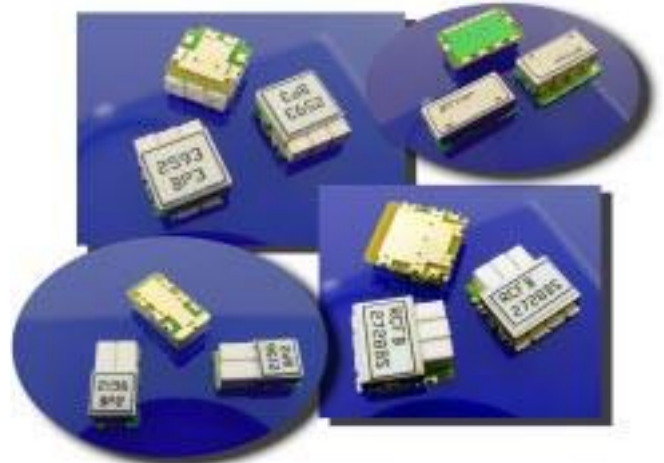
### ● Applications

- Satellite Receivers-Down Converters
- Global Positioning Systems
- Wireless LAN Equipment
- Cellular and Cordless Phones

### ● Features

- Wide Frequency Range of 600 to 2500 MHz
- High Q Resonator
- Excellent Temperature Stability and Attenuation
- Low Insertion Loss
- Custom Designs for Application Specific Products

### RCFand RDX Series

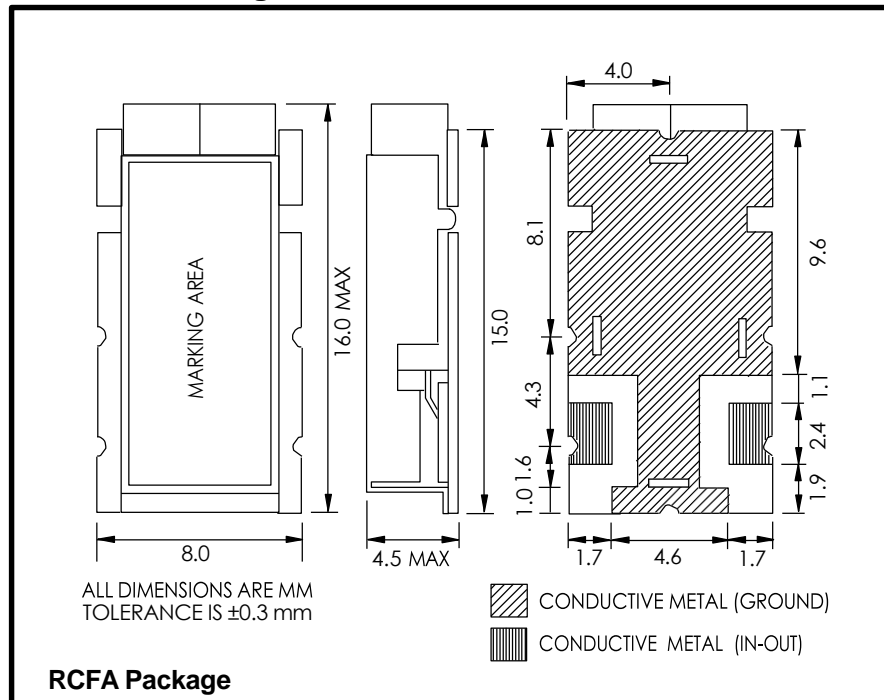


### ● Specifications

#### 2 Pole Bandpass Filter

Part Number	Center Frequency	Bandwidth	Insertion Loss	Ripple (Max)	V.S.W.R (Max)	Attenuation (Min)
RCFA1-836BP2	836.5 MHz	$F_0 \pm 12.5$ MHz	2.2 dB	0.8 dB	2	5 dB at $F_0 \pm 32.5$ MHz
RCFA1-881BP2	881.5 MHz					
RCFA1-841BP2	841.0 MHz	$F_0 \pm 2.0$ MHz	2.5 dB	0.3 dB	2	22 dB at $F_0 \pm 70$ MHz
RCFA1-866BP2	866.0 MHz					
RCFA1-948BP2	948.0 MHz	$F_0 \pm 4.0$ MHz	2.5 dB	0.5 dB	2	6 dB at $F_0 \pm 32.5$ MHz
RCFA1-902BP2	902.5 MHz	$F_0 \pm 12.5$ MHz	2.2 dB	0.8 dB	2	
RCFA1-947BP2	947.5 MHz					
RCFA1-915BP2	915.0 MHz	$F_0 \pm 13.0$ MHz	2.3 dB	1.0 dB	2.5	18 dB at $F_0 \pm 80$ MHz
RCFA1-1575BP2	1575.5 MHz	$F_0 \pm 1.0$ MHz	3.0 dB	0.5 dB	2	18 dB at $F_0 \pm 50$ MHz
RCFA1-1890BP2	1890.0 MHz	$F_0 \pm 10.0$ MHz	1.8 dB	0.5 dB	2	16 dB at $F_0 \pm 160$ MHz

### ● Outline Drawing



### ● Typical Applications for RCFA Series

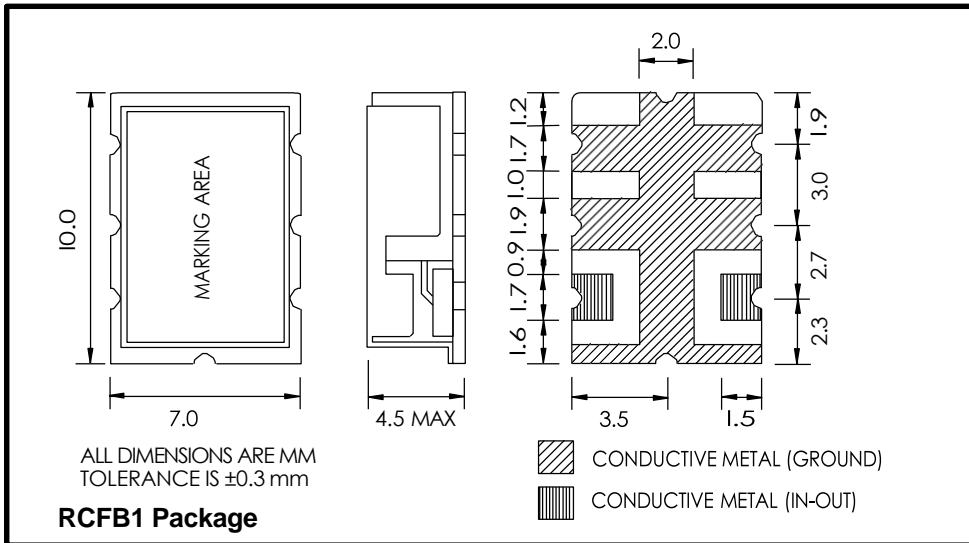
- E-Amps
- CT-2
- GSM
- ISM915

### ● Specifications

#### 3 Pole Bandpass Filter

Part Number	Center Frequency	Bandwidth	Insertion Loss (Max)	Ripple (Max)	V.S.W.R (Max)	Attenuation (Min)
RCFB1-815BP3	815.0 MHz	$F_0 \pm 10.0$ MHz	2.8 dB	0.8 dB	2	36 dB @ $F_0 \pm 80$ MHz
RCFB1-860BP3	860.0 MHz					
RCFB1-836BP3	836.5 MHz	$F_0 \pm 12.5$ MHz	3.0 dB	1.0 dB	2	12 dB @ $F_0 \pm 32.5$ MHz
RCFB1-881BP3	881.5 MHz					
RCFB1-841BP3	841.0 MHz	$F_0 \pm 2.0$ MHz	3.0 dB	0.3 dB	2	44 dB @ $F_0 \pm 75$ MHz
RCFB1-866BP3	866.0 MHz					
RCFB1-948BP3	948.0 MHz	$F_0 \pm 4.0$ MHz	3.0 dB	0.5 dB	2	32 dB @ $F_0 \pm 50$ MHz

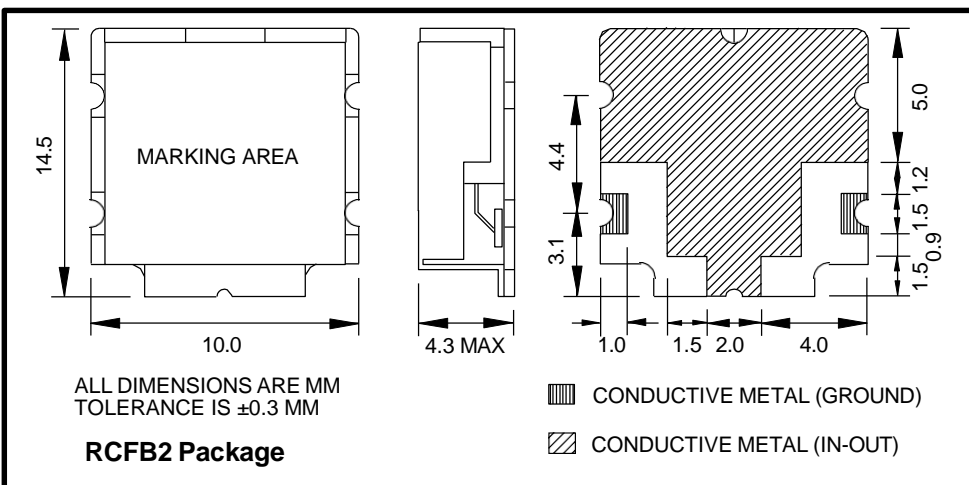
### ● Outline Drawings



### ● Applications for RCFB1

LMR  
E-Amps  
CT-2

Part Number	Center Frequency	Bandwidth	Insertion Loss (Max)	Ripple (Max)	V.S.W.R (Max)	Attenuation (Min)
RCFB2-888BP3	888.5 MHz	$F_0 \pm 16.5$ MHz	3.0 dB	1.3 dB	2	7 dB @ $F_0 \pm 28.5$ MHz
RCFB2-933BP3	933.5 MHz					
RCFB2-902BP3	902.5 MHz	$F_0 \pm 12.5$ MHz	2.6 dB	1.0 dB	2	12 dB @ $F_0 \pm 32.5$ MHz
RCFB2-947BP3	947.5 MHz					
RCFB2-915BP3	915.5 MHz	$F_0 \pm 13.0$ MHz	3.0 dB	1.0 dB	2	12 dB @ $F_0 \pm 32.5$ MHz
RCFB2-897BP3	897.5 MHz	$F_0 \pm 17.5$ MHz	3.0 dB	1.3 dB	2	6 dB @ $F_0 \pm 28.5$ MHz
RCFB2-942BP3	942.5 MHz					



### ● Applications for RCFB2

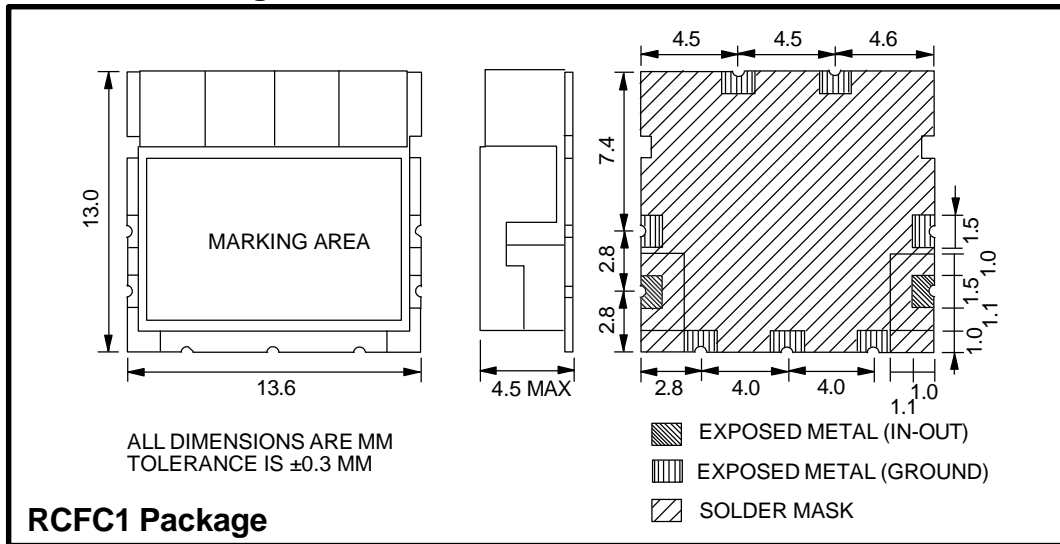
GSM  
E-TACS  
ISM915  
E-GSM

### ● Specifications

#### 4 Pole Bandpass Filter

Part Number	Center Frequency	Bandwidth	Insertion Loss (Max)	Ripple (Max)	V.S.W.R (Max)	Attenuation (Min)
RCFC1-1930BP4	1930.0 MHz	$F_0 \pm 10.0$ MHz	4.5 dB	0.8 dB	2	40 dB @ $F_0 \pm 70$ MHz
RCFC1-2120BP4	2120.0 MHz					
RCFC1-2315BP4	2315.0 MHz	$F_0 \pm 15.0$ MHz	4.5 dB	1.0 dB	1.8	40 dB @ $F_0 \pm 90$ MHz
RCFC1-2385BP4	2385.0 MHz					

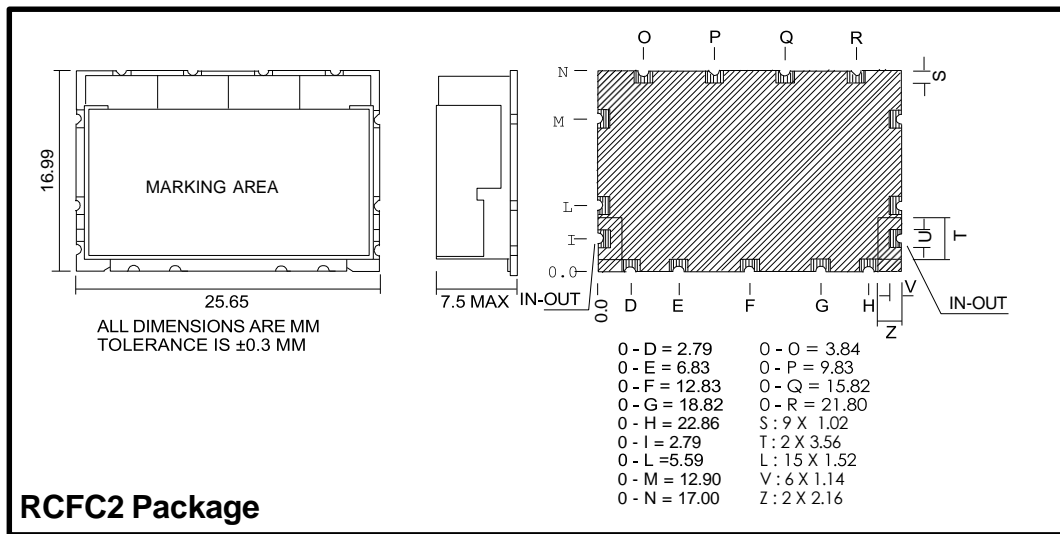
### ● Outline Drawings



### ● Applications for RCFC1

IMT-2000  
WLL

Part Number	Center Frequency	Bandwidth	Insertion Loss (Max)	Ripple (Max)	V.S.W.R (Max)	Attenuation (Min)
RCFC2-813BP4	813.0 MHz	$F_0 \pm 5$ MHz	3.5 dB	0.5 dB	2	30 dB @ $F_0 \pm 40$ MHz
RCFC2-813BP4	836.5 MHz	$F_0 \pm 12.5$ MHz	3.0 dB	0.8 dB	2	20 dB @ $F_0 \pm 32.5$ MHz
RCFC2-813BP4	881.5 MHz					



### ● Applications for RCFC2

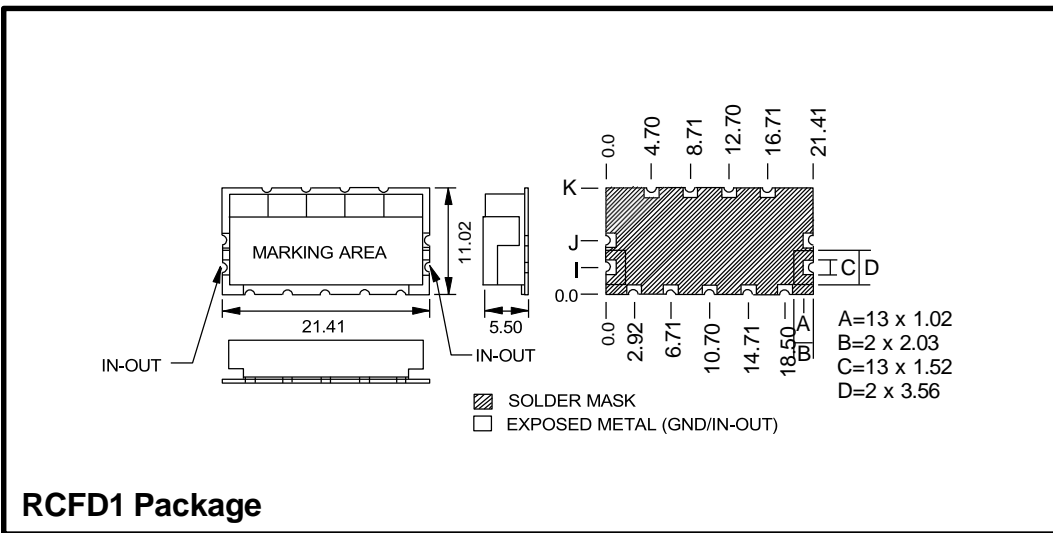
TRS  
AMPS

### ● Specifications

#### 5 Pole Bandpass Filter

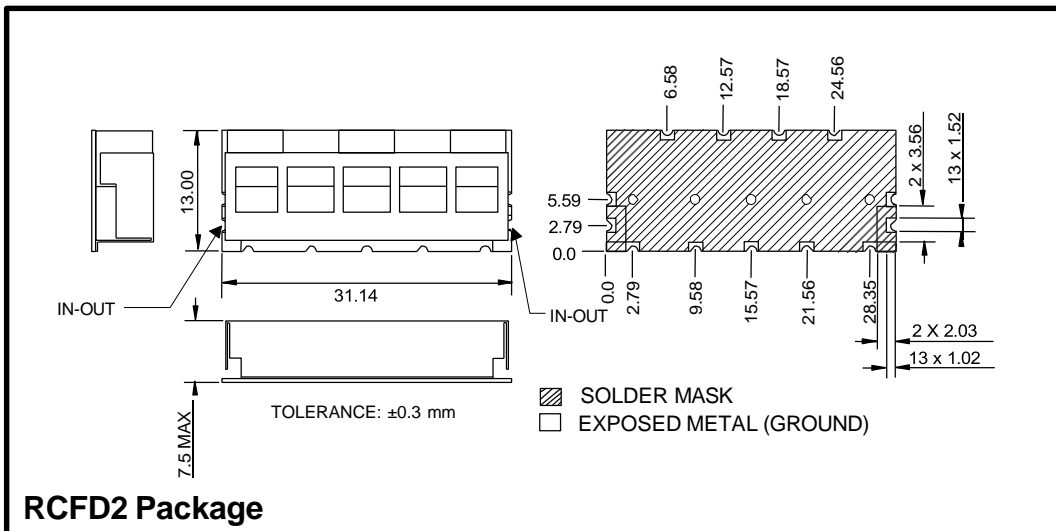
Part Number	Center Frequency	Bandwidth	Insertion Loss (Max)	Ripple (Max)	V.S.W.R (Max)	Attenuation (Min)
RCFD1-1310BP5	1310.0 MHz	$F_0 \pm 17.5$ MHz	4.1 dB	1.6 dB	2	12 dB @ $F_0 \pm 28$ MHz
RCFD1-1950BP5	1950.0 MHz	$F_0 \pm 30.0$ MHz	3.0 dB	1.0 dB	1.5	40 dB @ 2070 MHz
RCFD1-2140BP5	2140.0 MHz					40 dB @ 2260 MHz
RCFD1-2800BP5	2800.0 MHz	$F_0 \pm 1000$ MHz	3.0 dB	1.6 dB	2	60 dB @ $F_0 \pm 1000$ MHz
RCFD1-836BP5	836.5 MHz	$F_0 \pm 12.5$ MHz	3.0 dB	1.0 dB	2	28 dB @ $F_0 \pm 32.5$ MHz
RCFD1-881BP5	881.5 MHz					
RCFD1-808BP5	808.0 MHz	$F_0 \pm 5.0$ MHz	4.5 dB	1.0 dB	2	50 dB @ $F_0 \pm 45$ MHz
RCFD1-852BP5	852.0 MHz					
RCFD1-1690BP5	1690.0 MHz	$F_0 \pm 25.0$ MHz	4.0 dB	1.0 dB	2	50 dB @ $F_0 \pm 140$ MHz
RCFD1-1972BP5	1972.0 MHz	$F_0 \pm 2.5$ MHz	5.0 dB	0.5 dB	2	25 dB @ $F_0 \pm 32.5$ MHz

### ● Outline Drawings



### ● Applications for RCFD1/D2

RADIO LINK  
 IMT- 2000  
 LAN  
 AMPS  
 TRS

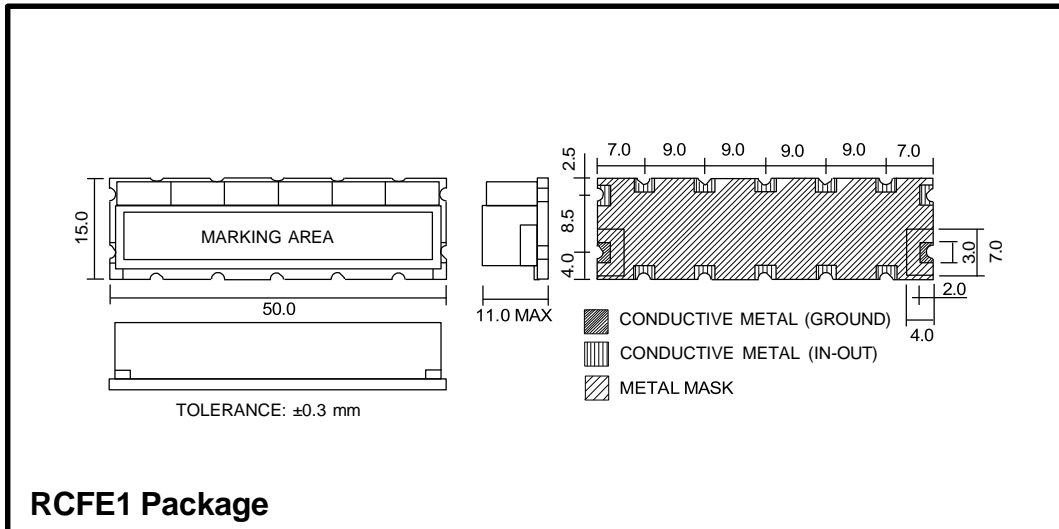


Specifications for the RCFD1 package are also available for the RCFD2 Package.  
 Other specifications are available in these packages.

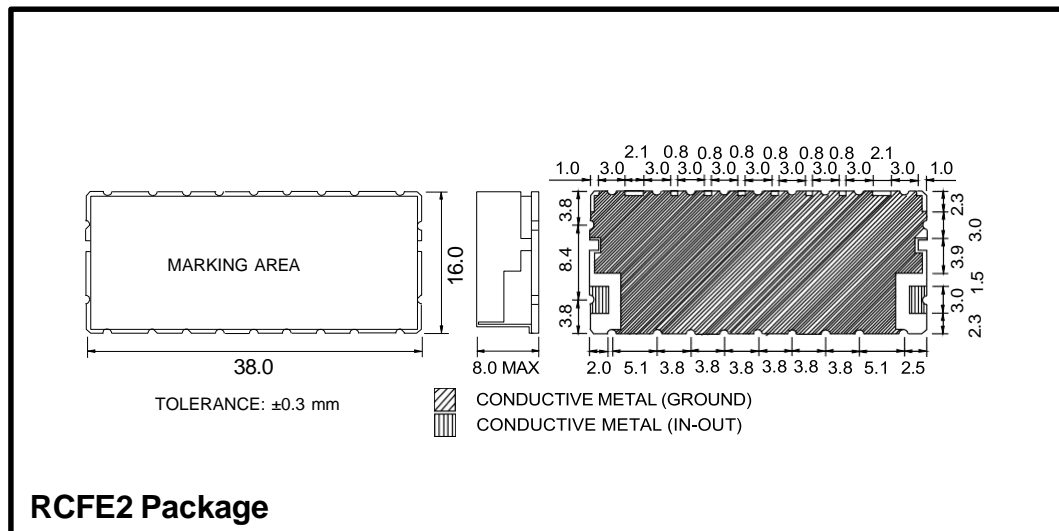
### ● Specifications 6 Pole Bandpass Filter

Part Number	Center Frequency	Bandwidth	Insertion Loss (Max)	Ripple (Max)	V.S.W.R (Max)	Attenuation (Min)
RCFE1-2332BP6	1030.0 MHz	$F_0 \pm 4.5$ MHz	5.0 dB	0.8 dB	2	45 dB @ $F_0 \pm 25.0$ MHz
RCFE1-1030BP6	2332.5 MHz	$F_0 \pm 27.5$ MHz	3.0 dB	1.0 dB	2	23 dB @ $F_0 \pm 57.5$ MHz

### ● Outline Drawings



### ● Applications for RCFE1/E2 Satellite Link IMT-2000

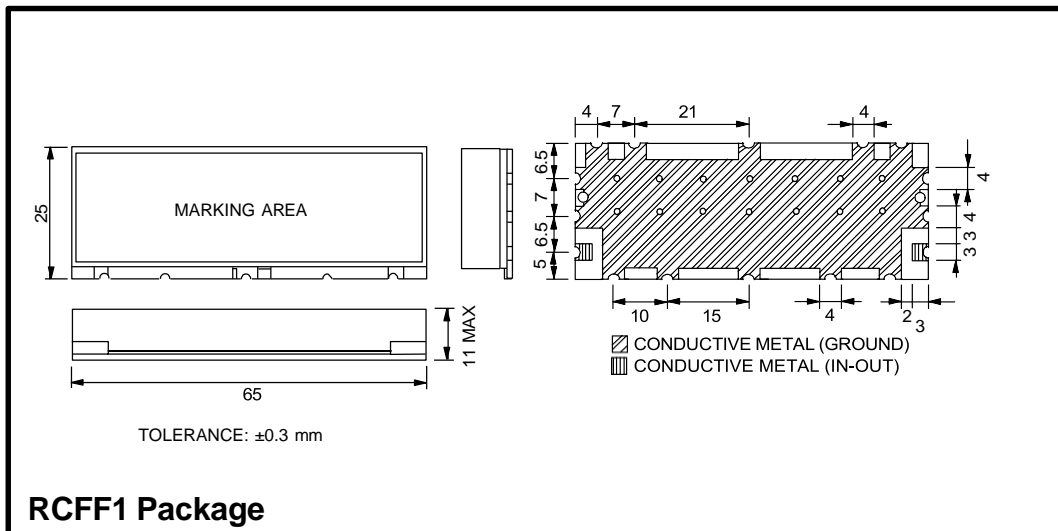


Specifications for the RCFE1 package are also available for the RCFE2 Package.  
Other specifications are available in these packages.

### ● Specifications 8 Pole Bandpass Filter

Part Number	Center Frequency	Bandwidth	Insertion Loss (Max)	Ripple (Max)	V.S.W.R (Max)	Attenuation (Min)
RCFF1-645BP8	645.0 MHz	$F_0 \pm 5.0$ MHz	5.0 dB	0.5 dB	2	70 dB @ $F_0 \pm 70$ MHz
RCFF1-675BP8	675.0 MHz					
RCFF1-735BP8	735.0 MHz					
RCFF1-765BP8	765.0 MHz					
RCFF1-795BP8	795.0 MHz					
RCFF1-836BP8	836.5 MHz	$F_0 \pm 12.5$ MHz	5.5 dB	2.0 dB	2	70 dB @ $F_0 \pm 42.5$ MHz
RCFF1-847BP8	847.14 MHz	$F_0 \pm 1.85$ MHz	20.0 dB	2.2 dB	2	20 dB @ $F_0 \pm 5$ MHz
RCFF1-892BP8	892.14 MHz					
RCFF1-902BP8	902.5 MHz	$F_0 \pm 12.5$ MHz	5.5 dB	1.5 dB	2	60 dB @ $F_0 \pm 44.5$ MHz
RCFF1-911BP8	911.5 MHz		15.0 dB	3.5 dB	2	70 dB

### ● Outline Drawing

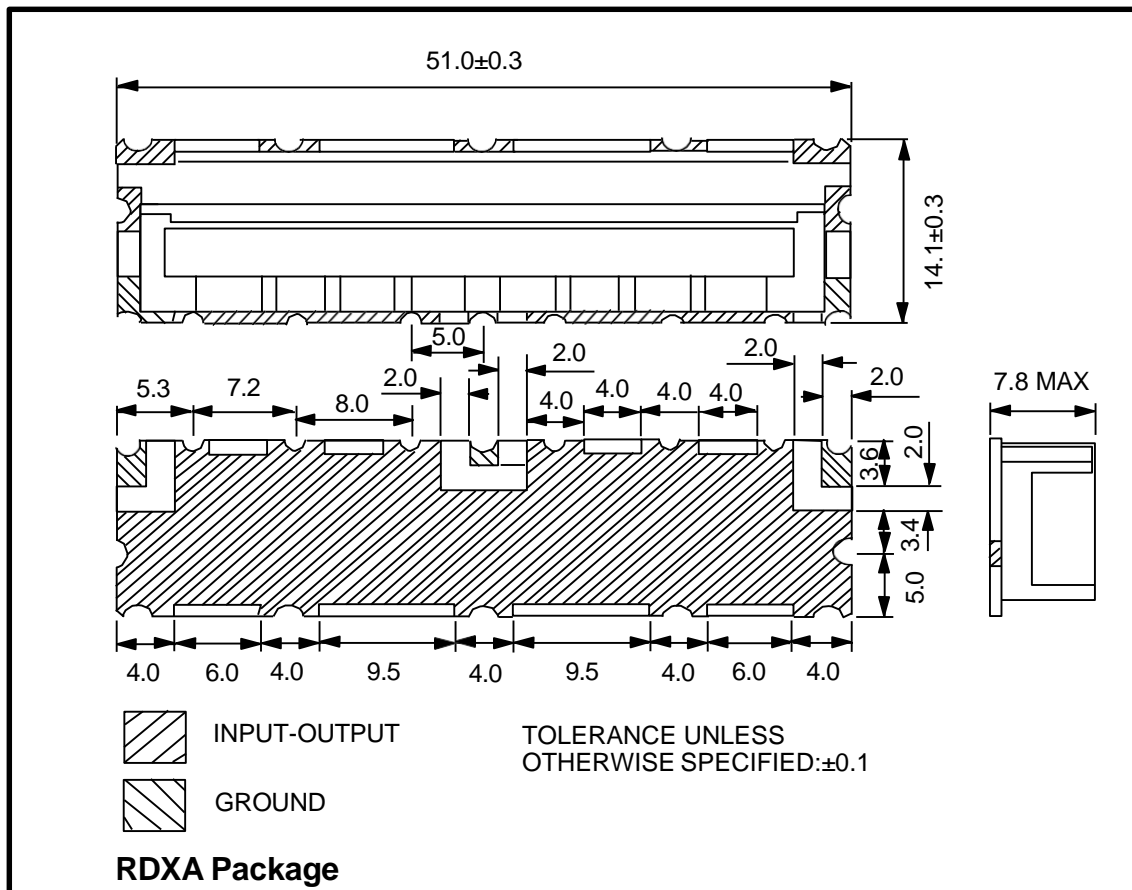


Other specifications are available in the RCFF1 package.

## ● Specifications Duplexers

Part Number		Center Frequency	Bandwidth	Insertion Loss	Ripple (Max)	V.S.W.R (Max)	Attenuation (Min)
RDXA-R2180-T1690A	Tx	1690 MHz	Fo±32.5 MHz	1.5 dB	0.5 dB	1.5	50 dB at 1718 MHz
	Rx	2180 MHz		2.0 dB	0.5 dB		50 dB at 2152 MHz
RDXA-R1855-T1765A	Tx	1765 MHz	Fo±15.0 MHz	1.7 dB	1.0 dB	1.5	42 dB at Fr±15 MHz
	Rx	1855 MHz		2.5 dB	1.0 dB		43 dB at Fr±15 MHz
RDXA-R2385-T2315A	Tx	2315 MHz	Fo±15.0 MHz	1.5 dB	1.0 dB	1.5	45 dB at Fr±15 MHz
	Rx	2385 MHz		2.5 dB	1.0 dB		50 dB at Fr±15 MHz
RDXA-R947-T902A	Tx	902.5 MHz	Fo±12.5 MHz	2.5 dB	0.8 dB	1.5	48 dB at Fr±12.5 MHz
	Rx	947.5 MHz		3.0 dB	0.8 dB		48 dB at Fr±12.5 MHz
RDXA-R2140-T1950A	Tx	1950 MHz	Fo±30.0 MHz	2.0 dB	0.5 dB	1.5	50 dB at Fr±15 MHz
	Rx	2140 MHz		2.0 dB	1.0 dB		50 dB at Fr±15 MHz
RDXA-R858-T813A	Tx	813 MHz	Fo±5.0 MHz	2.0 dB	0.8 dB	1.5	50 dB at Fr±0.5 MHz
	Rx	858 MHz		2.0 dB	0.8 dB		50 dB at Fr±5.0 MHz
RDXA-R881-T836A	Tx	836.5 MHz	Fo±12.5 MHz	2.0 dB	0.8 dB	1.5	50 dB at Fr±12.5 MHz
	Rx	881.5 MHz		2.3 dB	0.8 dB		50 dB at Fr±15 MHz
RDXA-R1855-T1765A	Tx	1765 MHz	Fo±15.0 MHz	2.0 dB	0.8 dB	1.5	55 dB at Fr±15 MHz
	Rx	1855 MHz		2.0 dB	0.8 dB		55 dB at Fr±15 MHz

## ● Outline Drawing



Other specifications are available in the RDXA package.

Also other duplexer package types are available.

Raltron Electronics/RAMI Technology USA, LLC, including its affiliates, employees, agents and other persons acting on its behalf (collectively Raltron/RAMI Tech), disclaim any and all liability for any errors or inaccuracies contained in this data sheet. While Raltron/RAMI Tech has made every reasonable effort to ensure the accuracy of all product information, specifications and data contained herein, Raltron/RAMI Tech does not guarantee that the information is accurate, reliable or current. The product information is provided for reference purposes only and is subject to change, correction or revision, at any time without notice. Raltron/RAMI Tech does not assume any liability arising out of an application or use of any product described herein and disclaims any warranties expressed or implied. The user of products in such applications shall assume all risks of such use and will agree to hold Raltron/RAMI Tech, harmless against all damages.