

Features

- 2.75x1.85x0.90mm Bottom Port
- Single Ended Analog Output
- SNR of 63dBA
- RF Shielded
- Compatible with Standard SMD Reflow Technology
- RoHS Compliance & Halogen Free

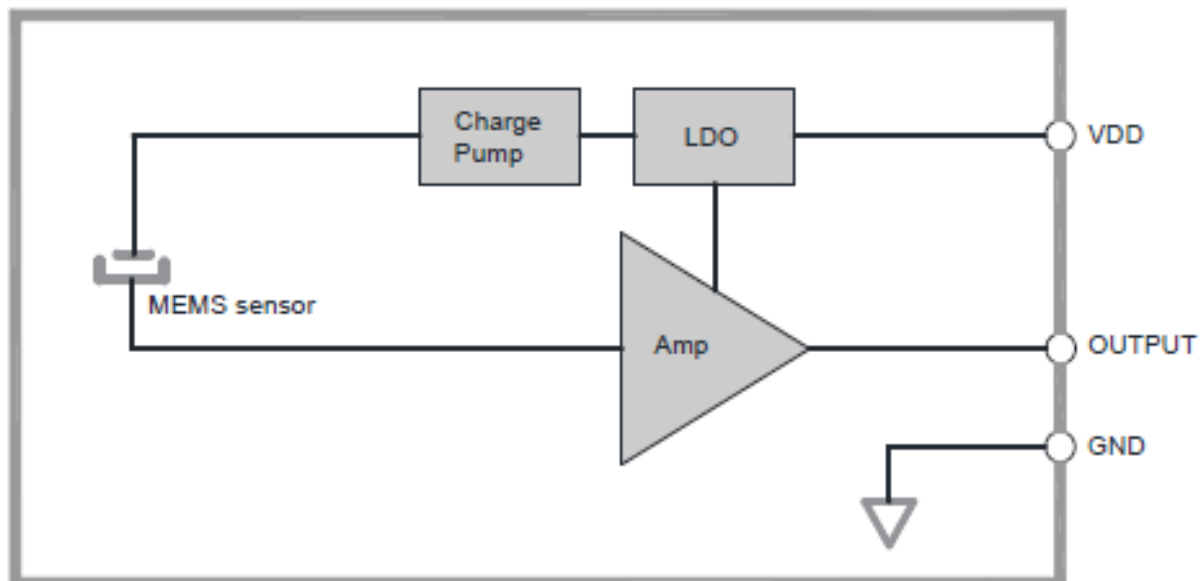
Applications

- Smart Phones
- TWS Headsets
- Smart Speakers
- Wearable Electronics
- Portable Electronics
- Smart Home Electronics
- Laptop Computers



Description RMIC-94-3.6-2718-RG-NS9 is a single-ended output bottom port analog MEMS microphone, consists of a MEMS sensor and a low noise level ASIC .

BLOCK DIAGRAM



ABSOLUTE MAXIMUM RATINGS

Parameters	Value			Unit
	min	typ	max	
Supply Voltage			3.6	V
Operation Temperature Range	-40		+85	°C
Storage Temperature Range	-40		+125	°C

Note : Stresses at the maximum ratings shown in Table may cause permanent damage to the device. These are stress ratings only at which the device may not function when an operation at these or any other condition beyond those specified under "Electro-Acoustic Specifications".

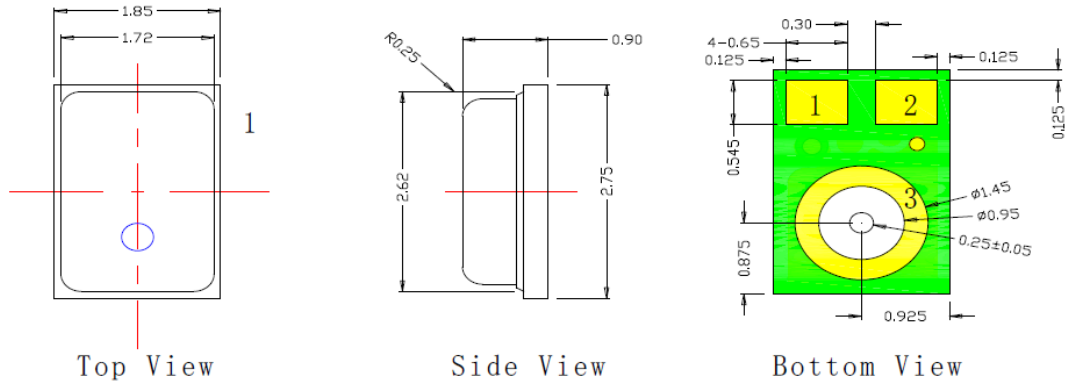
ELECTRICAL SPECIFICATIONS

Test condition: Vdd=2.0V, no load, unless otherwise specified.

Parameters		Value			Unit
		min	typ	max	
Directivity		Omni-Directional			
Sensitivity (S)	94db SPL@ 1kHz	-39	-38	-37	dB
Current Consumption (I)	Vdd= 2.0V		120	160	uA
Operating Voltage	Vdd	1.6	2.0	3.6	V
Output Impedance	@1kHz			400	Ω
S/N Ratio (SNR)	BW=20-20KHz A-Weight, 1KHz		63		dBA
Total Harmonic Distortion (THD)	@ 94dB SPL @1kHz			0.5	%
Acoustic Overload Point (AOP)	@10% THD @1kHz		128		dB
Power Supply Rejection (PSR)	@100mVpp Square wave, 217Hz, A-weighted		-100	-80	dB
Power Supply Rejection Ratio (PSRR)	@200mVpp Sinewave @1KHz		70		dB
Phase	100-10KHz	-5		5	Degree
Output Load	@ Cload			150	pF
	@ Rload	10		100	kΩ

Note: Frequency response, sensitivity, phase and current consumption are tested by 100% on product line.

DIMENSIONS

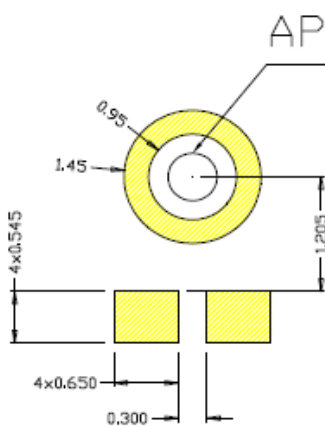


Unit: mm Unmarked Tolerance: ± 0.1 (mm)

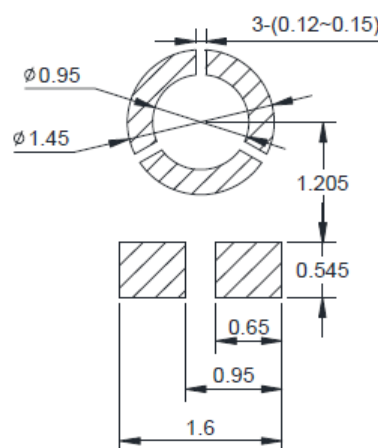
Item	Dimension	Tolerance(+/-)
Length(L)	2.75	0.10
Width(W)	1.85	0.10
Height(H)	0.90	0.10
Acoustic Port(AP)	$\varnothing 0.25$	0.05

Pin	Pin Name
1	V _{DD}
2	Output
3	GND

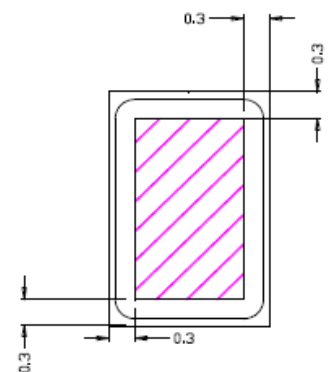
PICKUP TOOL PICK LOCATION & PCB SOLDER PAD LAYOUT



PCB land pattern



Solder Stencil Pattern



Pick up area

FREQUENCY CHARACTERISTICS

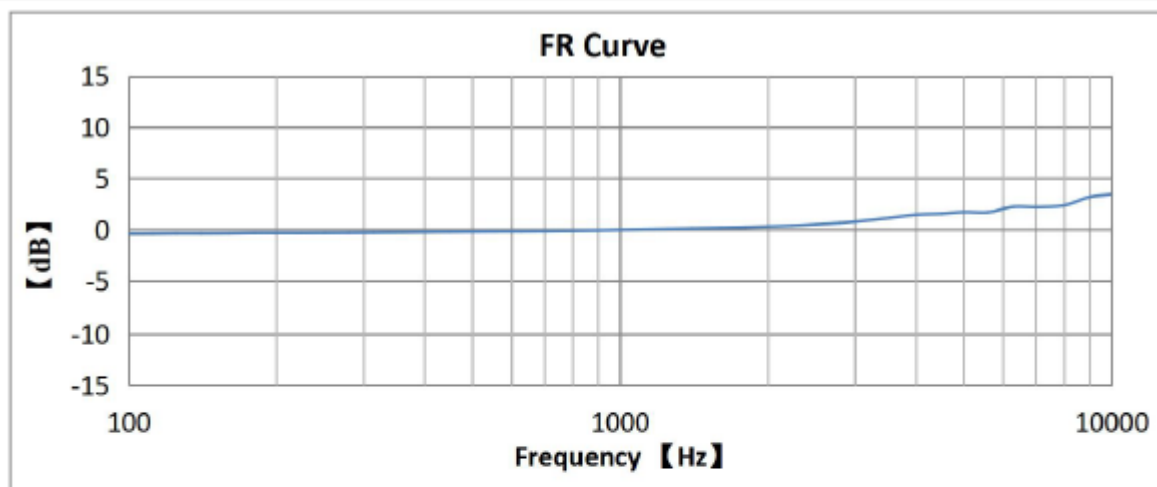
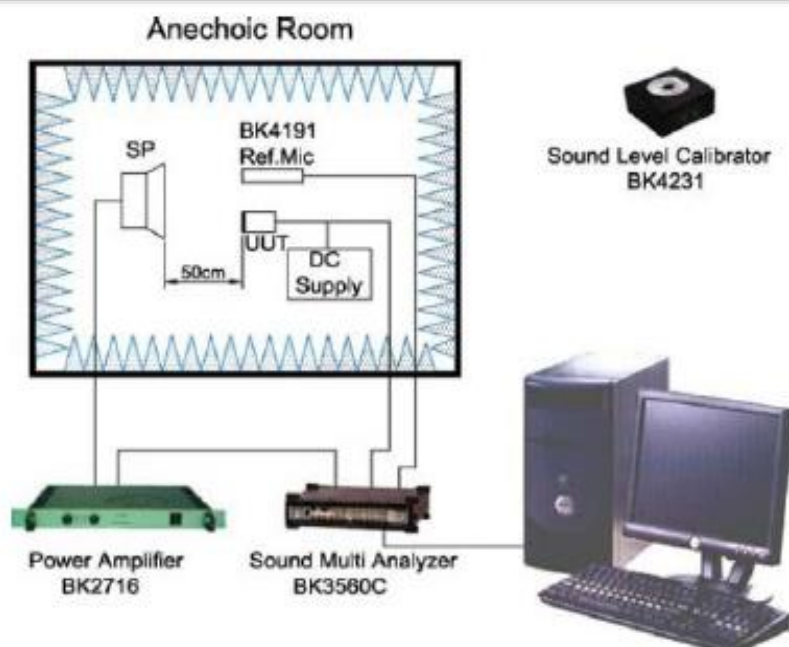


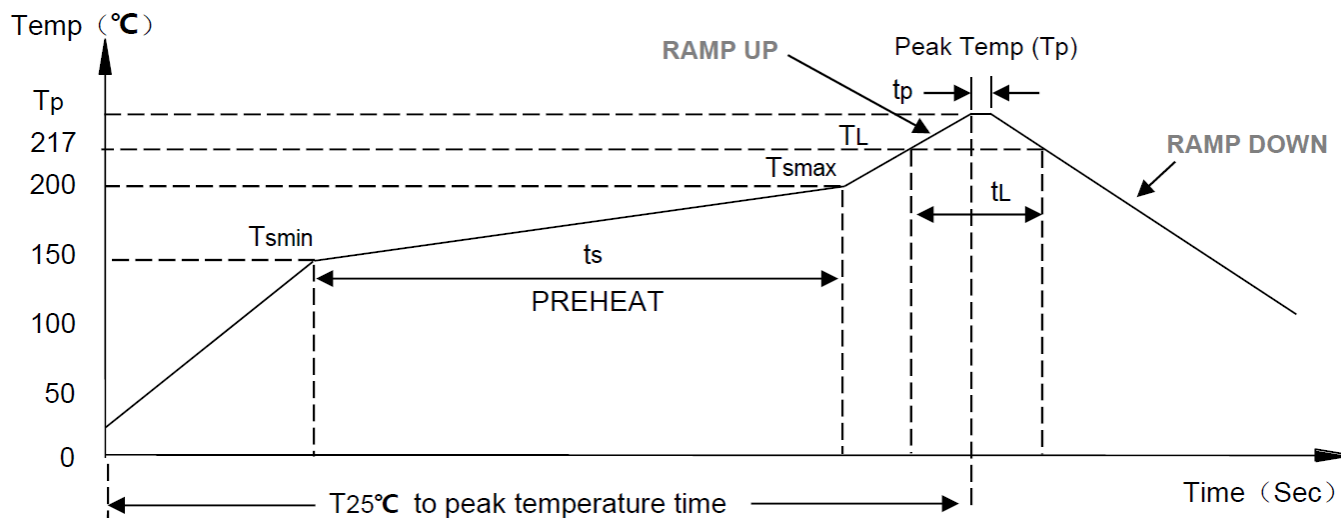
Fig. 2 Frequency response curve normalized to 1kHz

Frequency (Hz)	LSL	USL	Unit
100	-1	1	dB
900	-1	1	dB
1000	0	0	dB
1100	-1	1	dB
8000	-1	4	dB
10000	0	9	dB

MEASUREMENT SYSTEM SETUP



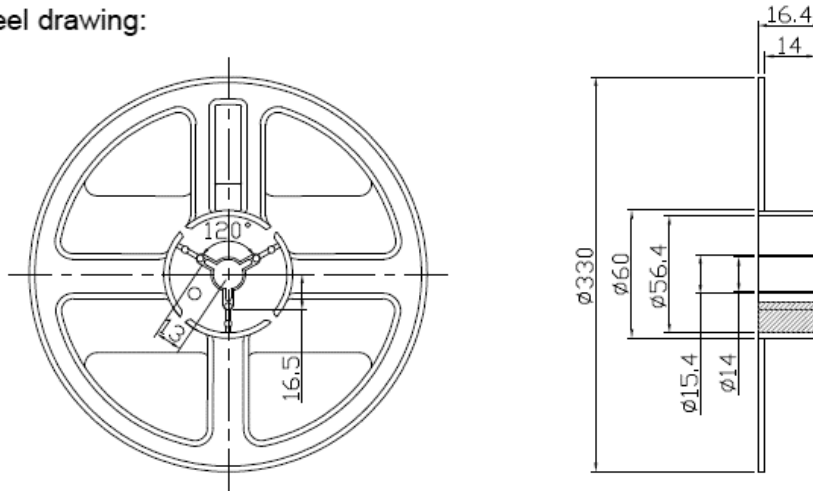
REFLOW PROFILE



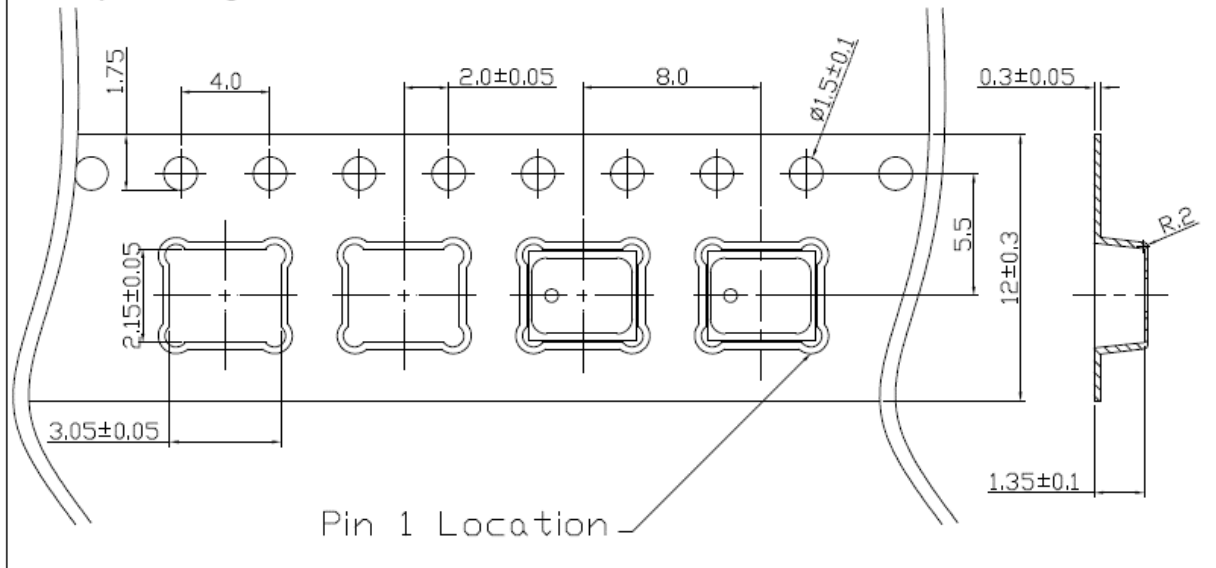
Parameter		Specification
Average temperature change rate (T _{SMAX} to T _P)		3°C /second max.
Preheat	Temperature min.(T _{SMIN})	150°C
	Temperature max.(T _{SMAX})	200°C
	Time T _{SMIN} to T _{SMAX}	60-180 Seconds
Time Maintained Above Liquidous		60-150 Seconds
Liquidous Temperature		217°C
Peak Temperature		260°C +0°C/-5°C
Time Within +5°C of Actual Peak Temperature		20 sec to 40 sec
Ramp-Down Rate		3°C/sec max
Time +25°C (t _{25°C}) to Peak Temperature		8 min max

PACKAGING

13" Reel drawing:



Tape drawing:



APPROVAL

DRAWN BY	JS, May 28, 2024
APPROVED BY	AR, May 28, 2024
REVISION	A, Initial Release