

General Description

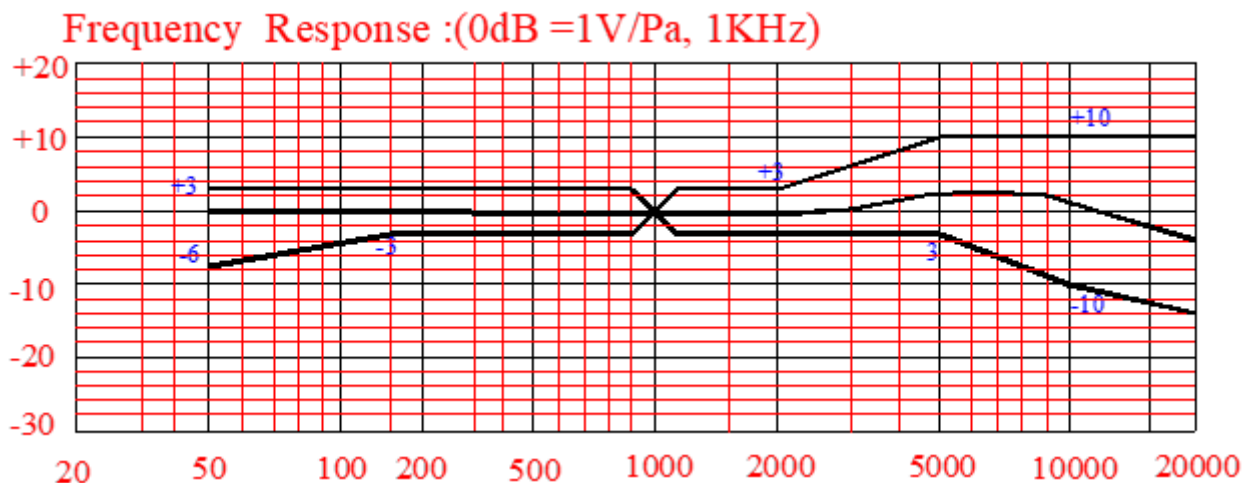
Ø4.0mm x 1.3mm, Omni-Directional Electret Condenser Microphone



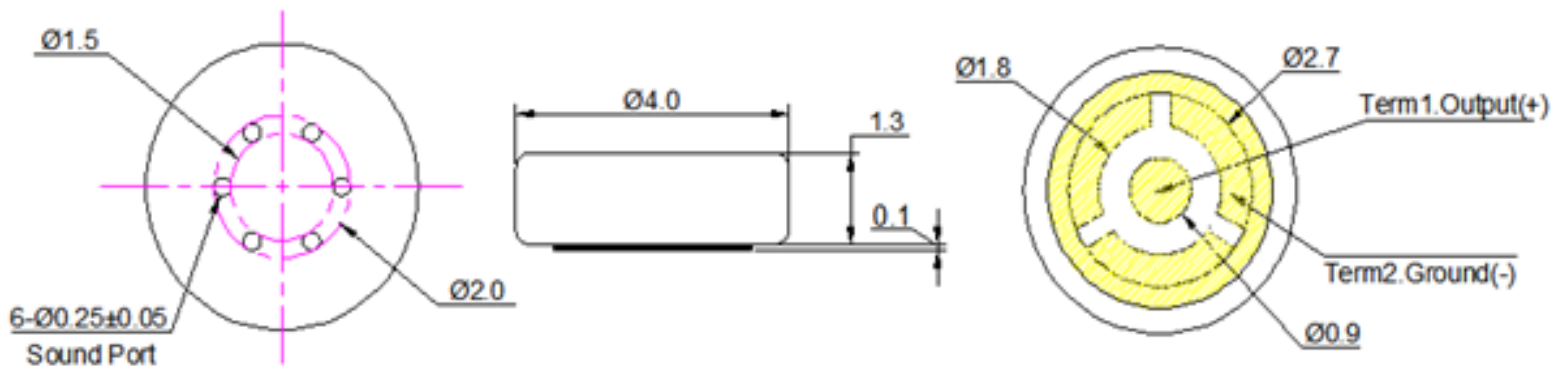
ELECTRICAL SPECIFICATIONS

Parameters		Value			Unit
		min	center	max	
Sensitivity	@ 0dB=1V/Pa, @ 1kHz	-45	-42	-39	dB
Current Consumption	@ V _{CC} =2.0V, R _L =2.2KΩ			0.5	mA
Output Impedance	@ f ₀ =1kHz			2.2	kΩ
Decreasing Voltage	@ V _{CC} =2.0V ~ 1.5V			-3	dB
Signal to Noise Ratio	@ 1kHz S.P.L=1Pa (A-Weighted Curve)	58			dB
Operating Voltage		1.0		10	V
Input S.P.L, max	@ THD < 3%(f ₀ =1KHZ)			115	dB
Directivity		Omni-Directional			-
Standard Operating Voltage			2.0		V
Operating Temperature Range		-20		+60	°C
Storage Temperature Range		-25		+75	°C

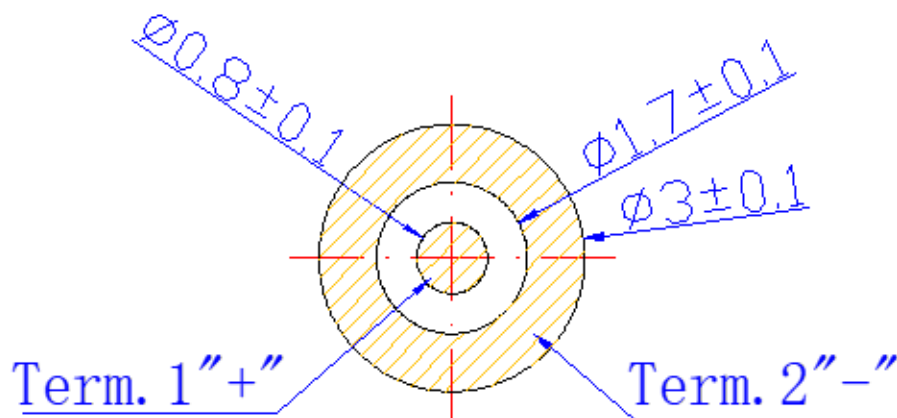
FREQUENCY CHARACTERISTICS



DIMENSIONS AND MATERIAL/STRUCTURE

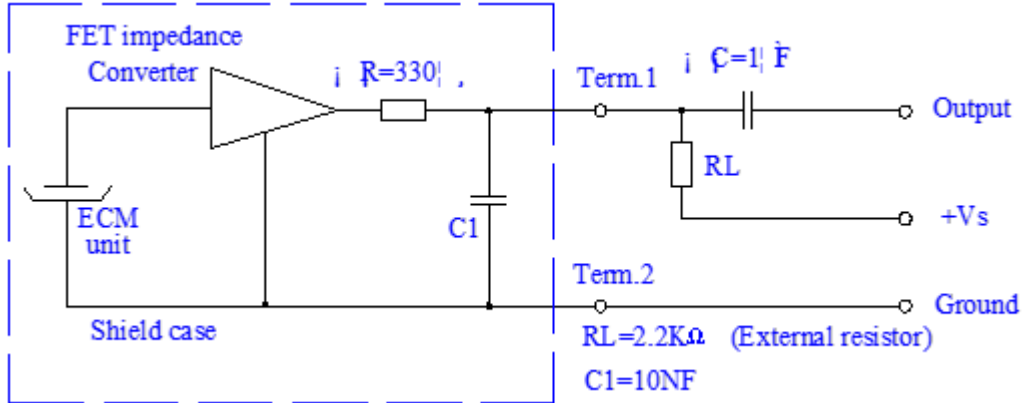


Unit: mm

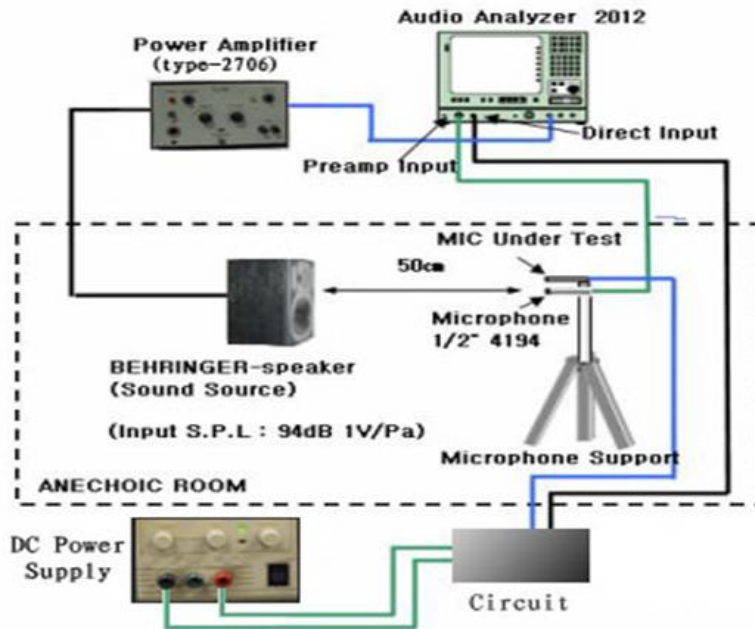


RECOMMEND ASSEMBLY WELD PLATE

MEASUREMENT CIRCUIT



TEST SETUP DRAWING



APPROVAL

DRAWN BY	AR, June, 14, 2024
APPROVED BY	CP, June 14, 2024
REVISION	A, Initial Release

