

### General Description

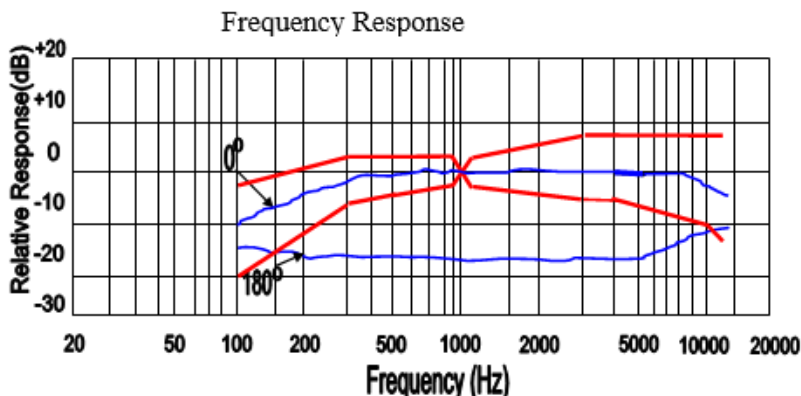
Ø4.0mm x 1.5mm, Unidirectional Microphone



### ELECTRICAL SPECIFICATIONS

Parameters		Value			Unit
		min	center	max	
Sensitivity	@ 0dB=1V/Pa, @ 1kHz	-39	-42	-45	dB
Current Consumption	@ V <sub>CC</sub> =2.0V,RL=2.2kΩ			500	μA
Output Impedance	@ f=1kHz			2.2	kΩ
Decreasing Voltage	@ V <sub>CC</sub> =3.0V ~ 2.0V			-3	dB
Signal to Noise Ratio	@ 1kHz S.P.L=1Pa (A-Weighted Curve)	58			dB
Operating Voltage		1.4		5	V
Input S.P.L, max				110	dB
Total Harmonic Distortion	@ 94dB SPL at 1kHz			1	%
	@115dB SPL at 1kHz			3	%
Directional Sensitivity	@ 1 kHz, 80 degree	8			dB
Operating Temperature Range		-40		+85	°C
Storage Temperature Range		-40		+85	°C

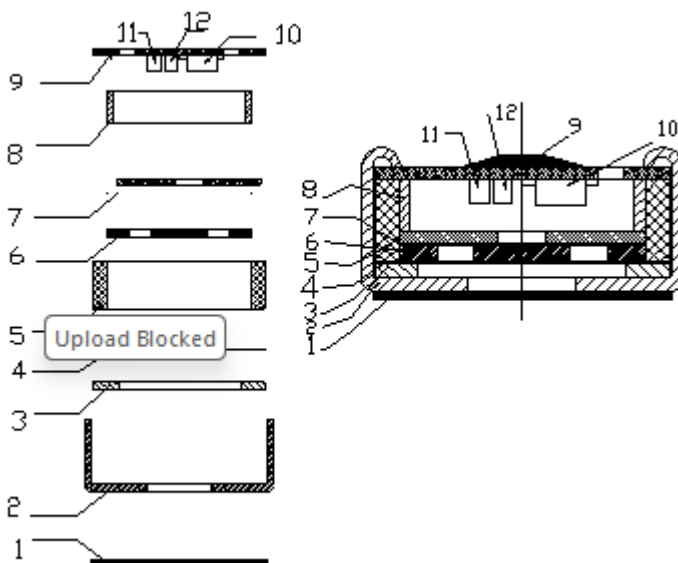
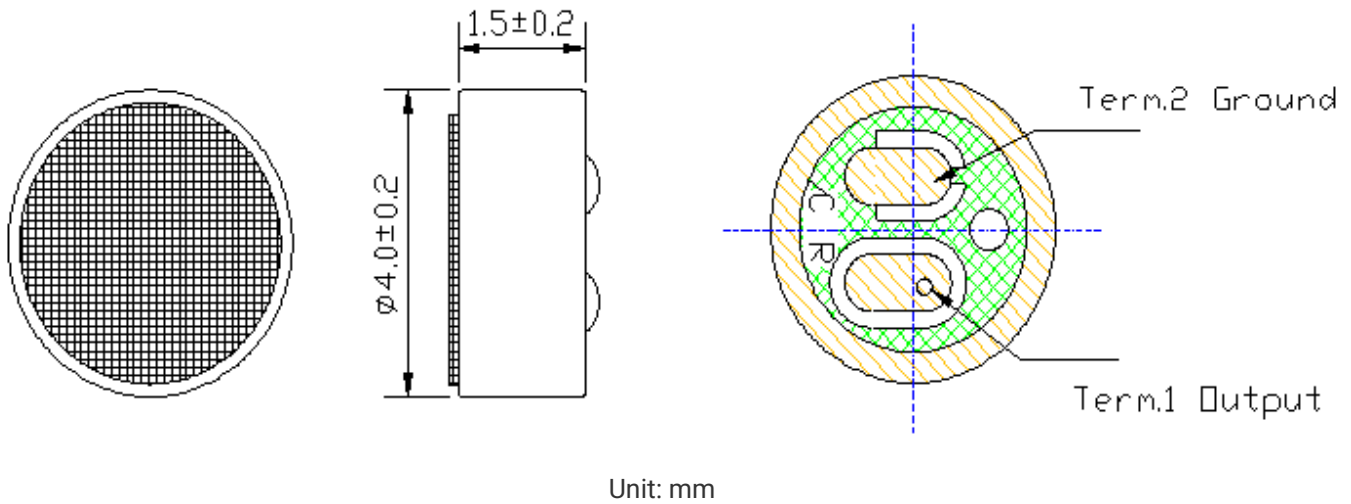
### FREQUENCY CHARACTERISTICS



Microphone Response Tolerance Window

Frequency (Hz)	Lower Limit(dB)	Upper Limit(dB)
100	-20	-3
800	-4	+3
1000	0	0
1200	-3	+3
3000	-5	+8
5000	-6	+8
10000	-10	+8
14000	-15	+8

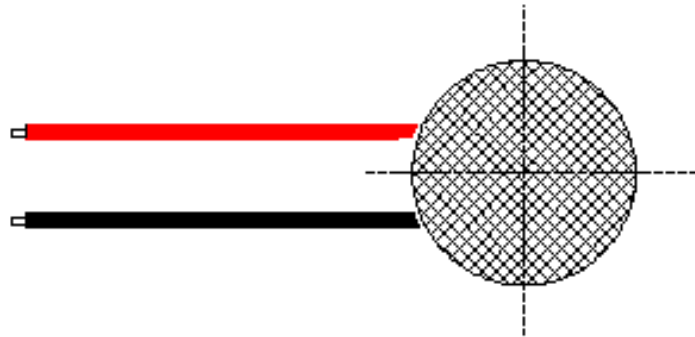
## DIMENSIONS AND MATERIAL/STRUCTURE



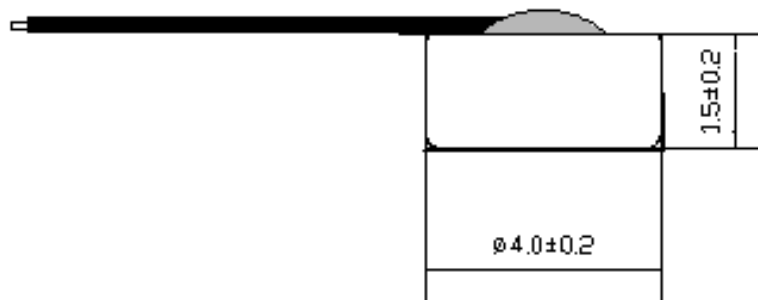
12	Resistance		3
11	Chip Capacitance		1
10	IC	FR4	1
9	PCB		2
8	Copper Ring		1
7	Damping Net		2
6	One Bore Pole Blank		1
5	Housing Chamber		1
4	Spacer		1
3	Polarized Diaphragm		1
2	Case		1
1	Felt		1
No.	Name	Material	QTY

Accessory Drawing

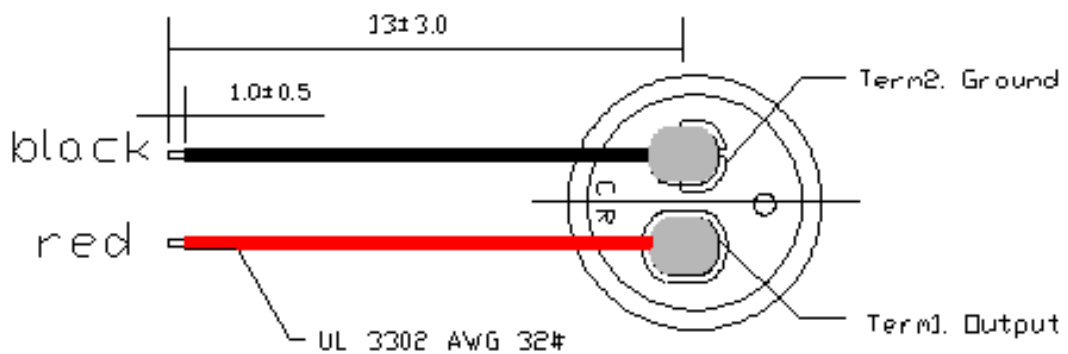
TOP VIEW



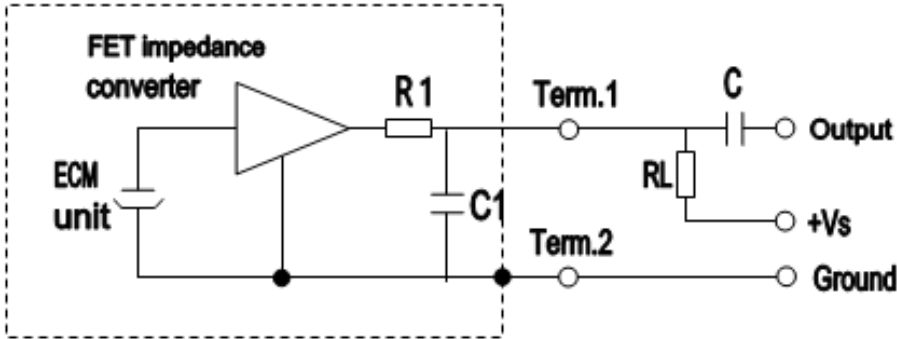
SIDE VIEW



BOTTOM VIEW

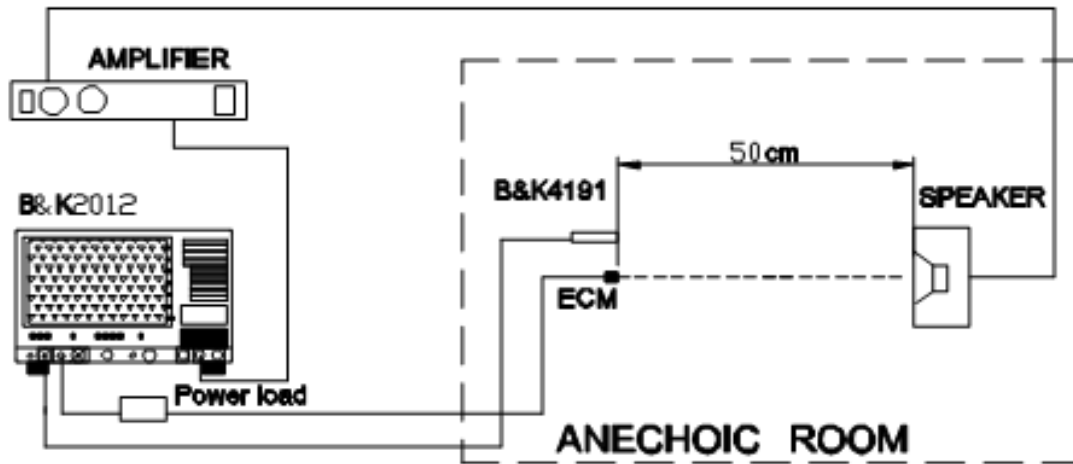


## MEASUREMENT CIRCUIT



$R_L=2.2K\Omega$
$V_s =2.0V$
$C1=10nF$
$R1=330\Omega$

## MEASUREMENT SETUP DRAWING



## APPROVAL

DRAWN BY	AR, Septembr 05, 2024
APPROVED BY	CP, Septembr 05, 2024
REVISION	A, Initial Release

