

General Description

Ø9.7mm x 6.7mm, Omni-Directional Microphone

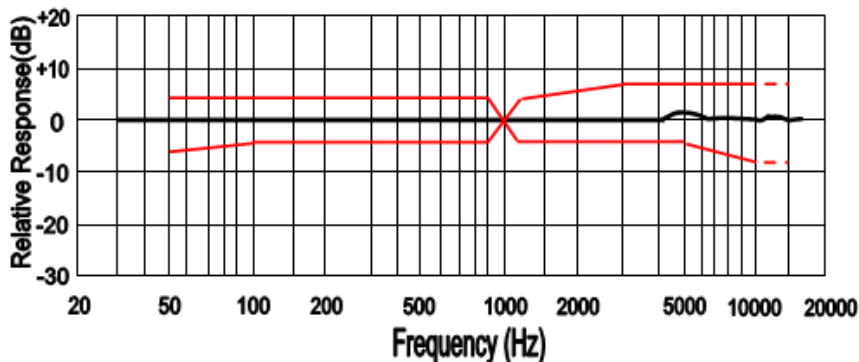


ELECTRICAL SPECIFICATIONS

Parameters		Value			Unit
		min	center	max	
Sensitivity	@ 0dB=1V/Pa, @ 1kHz	-45	-42	-39	dB
Current Consumption	@ V _{CC} =4.5V, R _L =2.2KΩ			500	μA
Output Impedance	@ f=1kHz			2.2	kΩ
Decreasing Voltage	@ V _{CC} =3.0V ~ 2.0V			-3	dB
Signal to Noise Ratio	@ 1kHz S.P.L=1Pa (A-Weighted Curve)	58			dB
Operating Voltage		1.0		10	V
Input S.P.L, max				110	dB
Operating Temperature Range		-20		+70	°C
Storage Temperature Range		-40		+75	°C

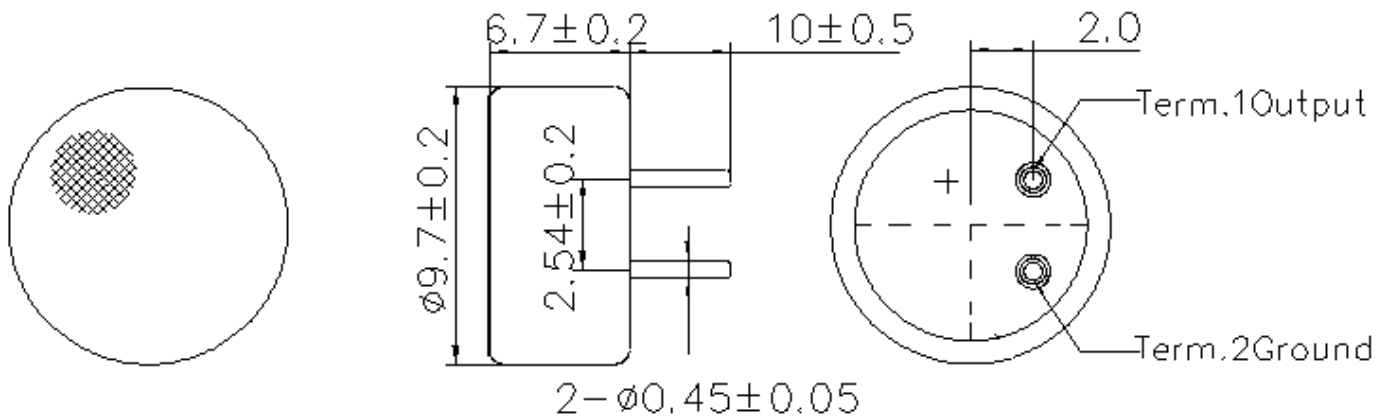
FREQUENCY CHARACTERISTICS

Microphone Response Tolerance Window

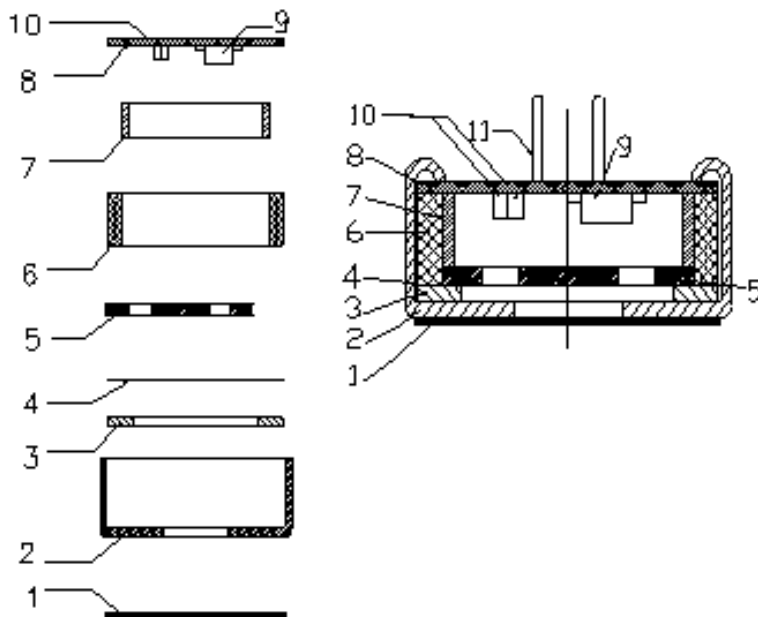


Frequency (Hz)	Lower Limit (dB)	Upper Limit (dB)
50	-6	+3
100	-3	+3
800	-3	+3
1000	0	0
1200	-3	+3
3000	-3	+8
5000	-3	+8
10000	-8	+8

DIMENSIONS AND MATERIAL/STRUCTURE

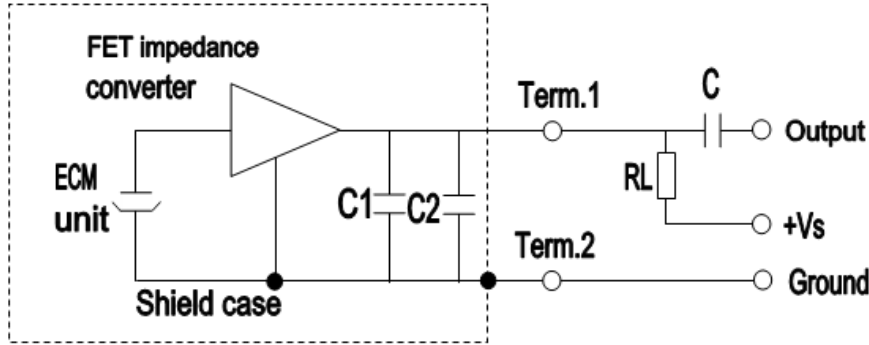


Unit: mm



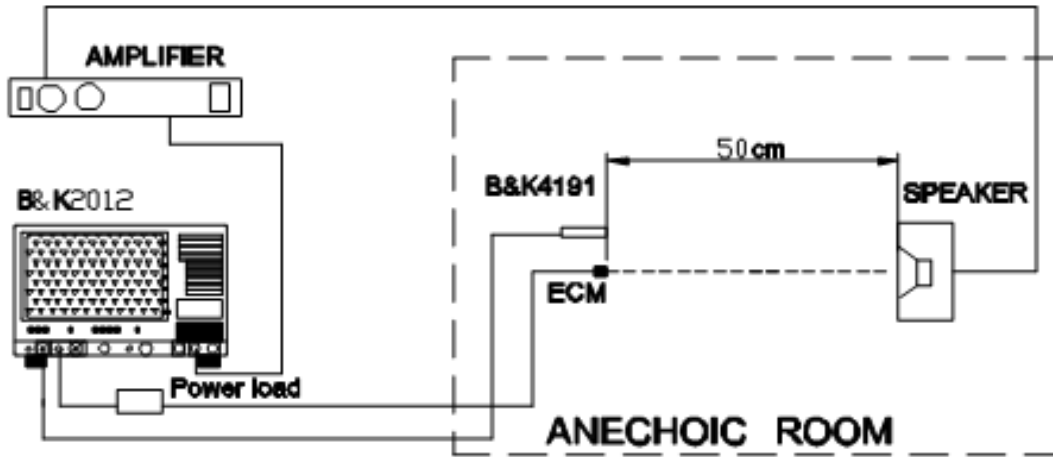
11	PIN		2
10	CAP		2
9	FET		1
8	P.C.B.		1
7	Copper Ring	Copper tube	1
6	Housing Chamber	Gather formaldehyde	1
5	Electret Back	Copper blank	1
4	Spacer	Mylar	1
3	Polarized Diaphragm	Dupont	1
2	Case	All-Mg Alloy	1
1	Felt	Fabric Cloth	1
No.	Name	Material	QTY

MEASUREMENT CIRCUIT



$R_L = 2.2K \Omega$
$V_s = 4.5V$
$C_1 = 10pF$
$C_2 = 33pF$
$C = 1\mu F$

MEASUREMENT SETUP DRAWING



APPROVAL

DRAWN BY	AR, July 31, 2024
APPROVED BY	CP, July 31, 2024
REVISION	A, Initial Release

