

General Description

Ø6.0mm x 5.0mm, Omnidirectional Microphone

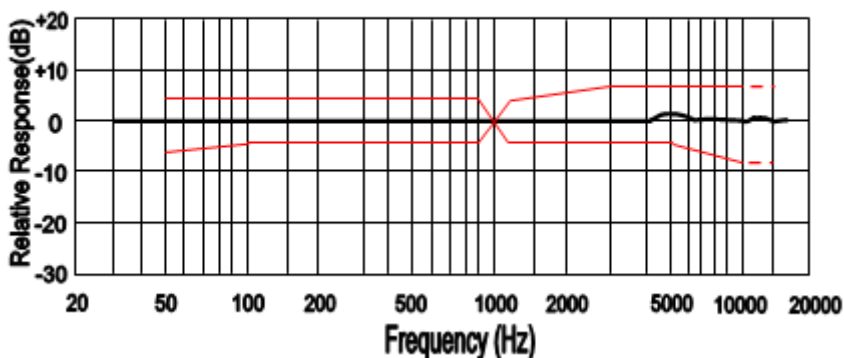


ELECTRICAL SPECIFICATIONS

| Parameters | | Value | | | Unit |
|-----------------------------|--|-------|--------|-----|------|
| | | min | center | max | |
| Sensitivity | @ 0dB=1V/Pa, @ 1kHz | -45 | -42 | -39 | dB |
| Current Consumption | @ V _{CC} =2.0V,RL=2.2kΩ | | | 500 | μA |
| Output Impedance | @ f=1kHz | | | 2.2 | kΩ |
| Decreasing Voltage | @ V _{CC} =3.0V ~ 2.0V | | | -3 | dB |
| Signal to Noise Ratio | @ 1kHz S.P.L=1Pa (A-Weighted Curve) | 58 | | | dB |
| Operating Voltage | | 1.0 | | 10 | V |
| Input S.P.L, max | | | | 110 | dB |
| Operating Temperature Range | | -20 | | +60 | °C |
| Storage Temperature Range | | -40 | | +75 | °C |

FREQUENCY CHARACTERISTICS

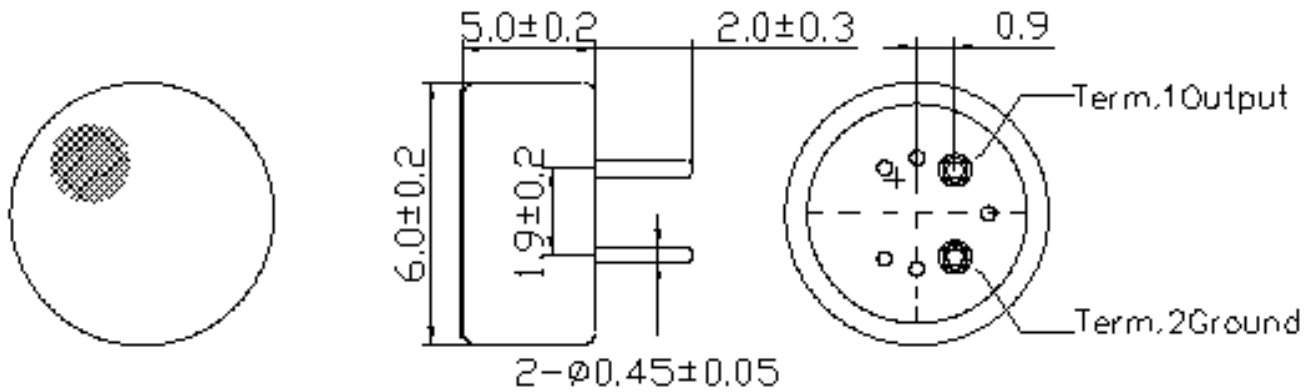
Frequency Response



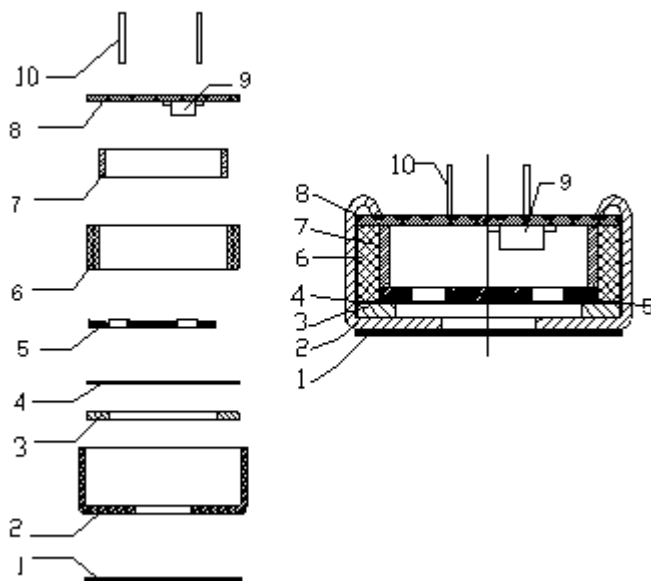
Microphone Response Tolerance Window

| Frequency (Hz) | Lower Limit(dB) | Upper Limit(dB) |
|----------------|-----------------|-----------------|
| 50 | -6 | +3 |
| 100 | -3 | +3 |
| 800 | -3 | +3 |
| 1000 | 0 | 0 |
| 1200 | -3 | +3 |
| 3000 | -3 | +8 |
| 5000 | -3 | +8 |
| 10000 | -8 | +8 |

DIMENSIONS AND MATERIAL/STRUCTURE

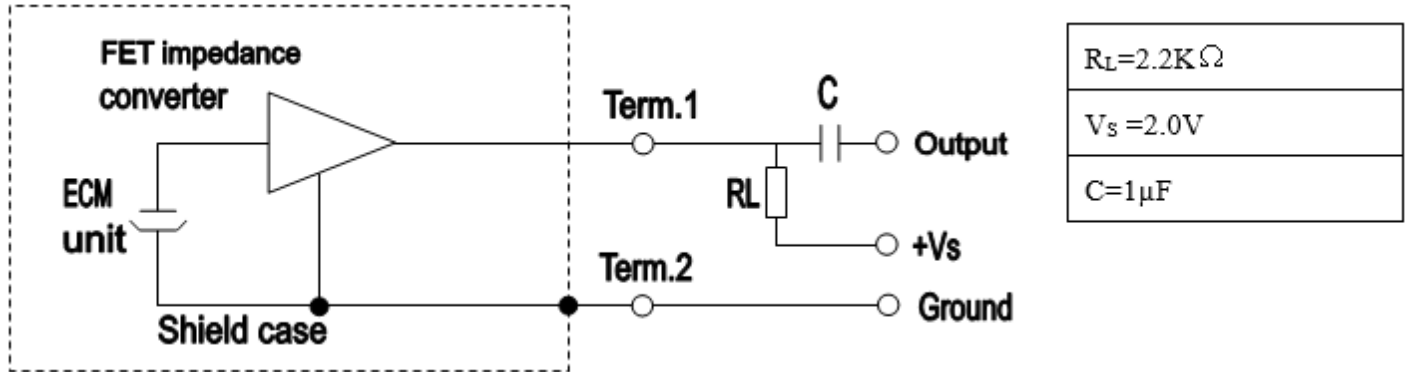


Unit: mm

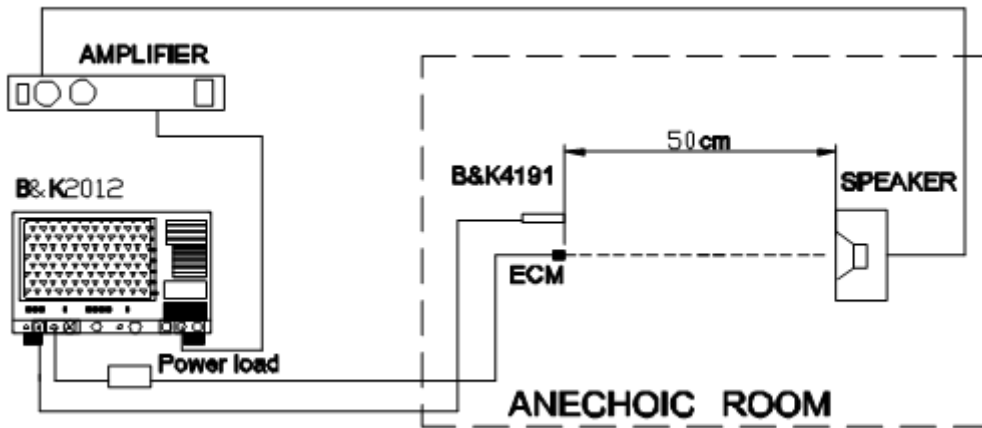


| | | | |
|------------|---------------------|---------------------|------------|
| 10 | PIN | Copper | 2 |
| 9 | FET | | 1 |
| 8 | PCB | FR4 | 1 |
| 7 | Copper Ring | Copper Tube | 1 |
| 6 | Housing Chamber | Gather formaldehyde | 1 |
| 5 | Electret Back | Copper blank | 1 |
| 4 | Spacer | Mylar | 1 |
| 3 | Polarized Diaphragm | DUPONT | 1 |
| 2 | Case | AL-Mg alloy | 1 |
| 1 | Felt | Fabric cloth | 1 |
| No. | Name | Material | QTY |

MEASUREMENT CIRCUIT



MEASUREMENT SETUP DRAWING



APPROVAL

| | |
|-------------|-----------------------|
| DRAWN BY | AR, Septembr 06, 2024 |
| APPROVED BY | CP, Septembr 06, 2024 |
| REVISION | A, Initial Release |



Raltron Electronics / RAMI Technology USA, LLC, including its affiliates, employees, agents and other persons acting on its behalf (collectively Raltron/RAMI Tech), disclaim any and all liability for any errors or inaccuracies contained in this data sheet. While Raltron/RAMI Tech has made every reasonable effort ensure the accuracy of all product information, specifications and data contained herein, Raltron/RAMI Tech does not guarantee that the information is accurate, reliable or current. The product information is provided only for reference purposes only and is subject to change, correction or revision, at any time without notice. Raltron/RAMI Tech does not assume any liability arising out of an application or use of any product described herein and disclaims any warranties expressed or implied. The user of products in such applications shall assume all risks of such use and will agree to hold Raltron/RAMI Tech, harmless against all damages. Copyright © 2016, Raltron Electronics / RAMI Technology USA, LLC. All rights reserved. No part of this document may be reproduced in any form without the prior written permission of Raltron Electronics / RAMI Technology USA, LLC.