

General Description

Ø6.0mm x 2.7 Noise Canceling Microphone

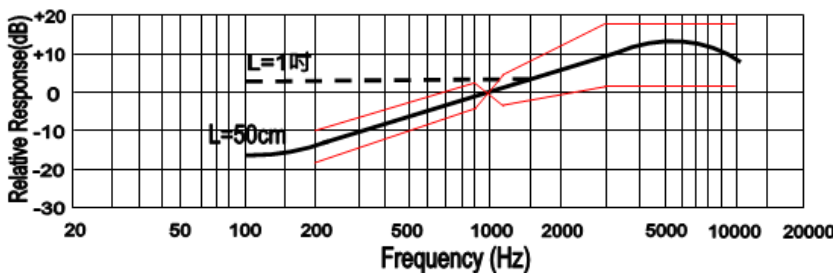


ELECTRICAL SPECIFICATIONS

Parameters		Value			Unit
		min	center	max	
Sensitivity	@ 0dB=1V/Pa, @ 1kHz	-43	-40	-37	dB
Current Consumption	@ V _{CC} =3.0V,RL=2.2kΩ			500	μA
Output Impedance	@ f=1kHz			2.2	kΩ
Decreasing Voltage	@ V _{CC} =3.0V ~ 2.0V			-3	dB
Signal to Noise Ratio	@ 1kHz S.P.L=1Pa (A-Weighted Curve)	60			dB
Operating Voltage		1.0		10	V
Input S.P.L, max				110	dB
Operating Temperature Range		-40		+85	°C
Storage Temperature Range		-40		+85	°C

FREQUENCY CHARACTERISTICS

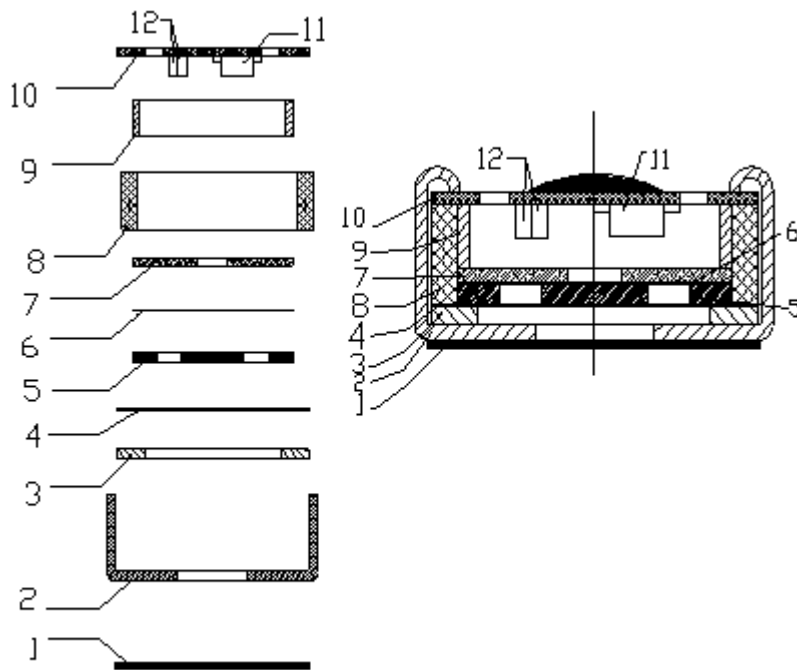
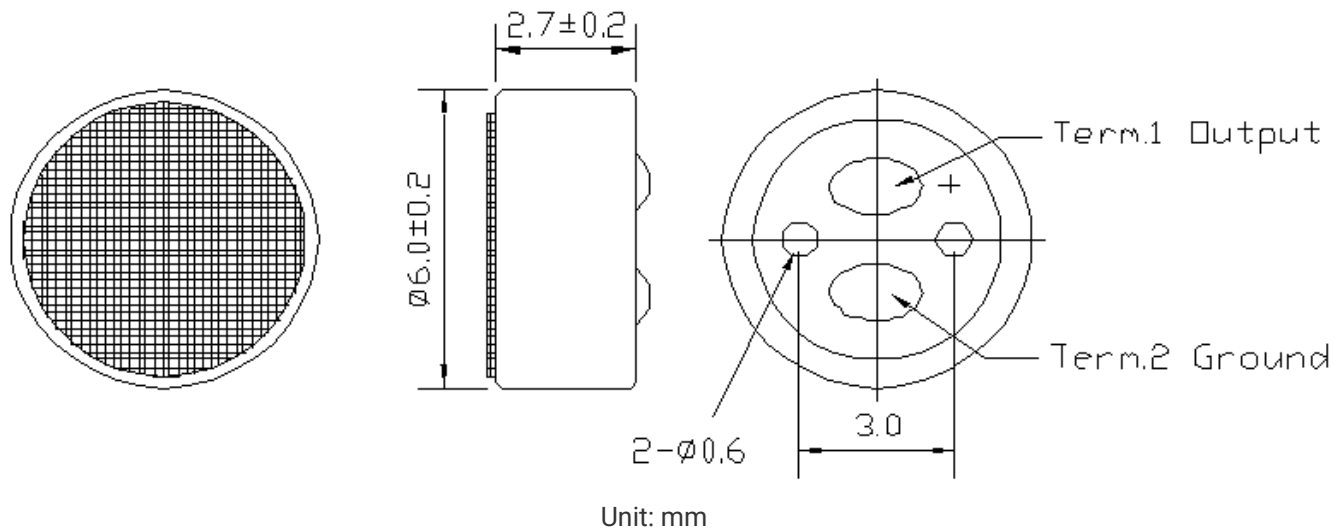
Frequency Response



Microphone Response Tolerance Window

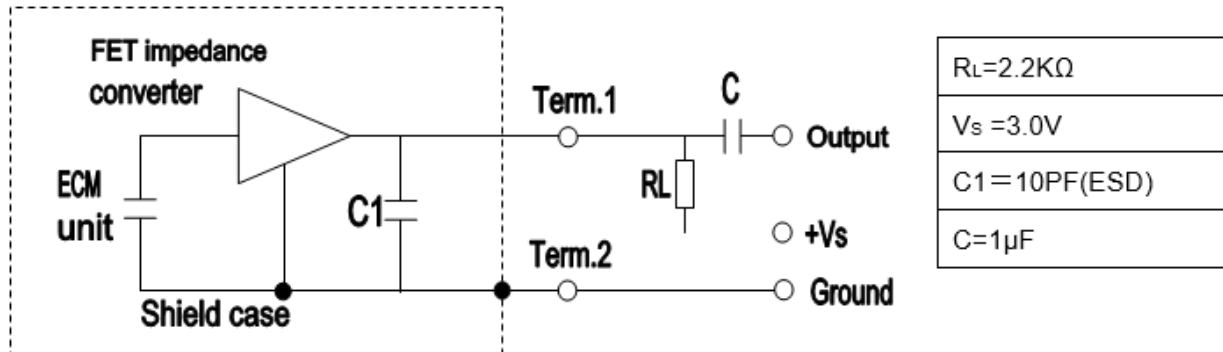
Frequency (Hz)	Lower Limit(dB)	Upper Limit(dB)
200	-18	+10
800	-6	+2
1000	0	0
1200	-4	+4
3000	+2	+18
5000	+2	+18
10000	+2	+18

DIMENSIONS AND MATERIAL/STRUCTURE

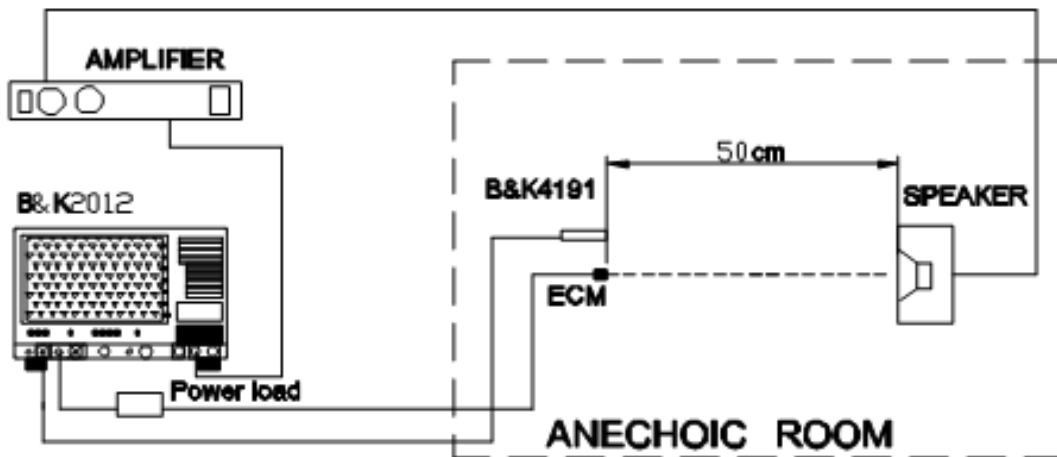


12	Capacitance	33pF	1
11	FET		1
10	P.C.B	FR-4	1
9	Copper Ring		1
8	Chamber		1
7	One Hole Plate		1
6	Damping		1
5	Electret Plate		1
4	Spacer		1
3	Diaphragm		1
2	Case	AL-Mg-Alloy	1
1	Dustproof Gauze		1
No.	Name	Material	QTY

MEASUREMENT CIRCUIT



MEASUREMENT SETUP DRAWING



APPROVAL

DRAWN BY	AR, August 1, 2024
APPROVED BY	CP, August 1, 2024
REVISION	A, Initial Release

