

### General Description

Ø4.0mm x 1.5mm, Omni-Directional Microphone



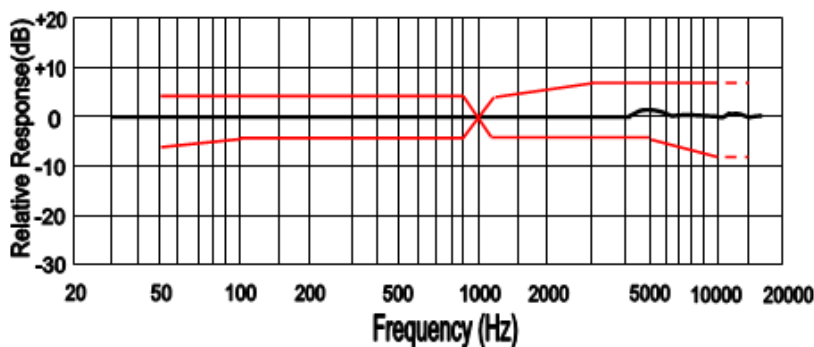
### ELECTRICAL SPECIFICATIONS

Parameters		Value			Unit
		min	center	max	
Sensitivity	@ 0dB=1V/Pa, @ 1kHz	-45	-42	-39	dB
Current Consumption	@ V <sub>CC</sub> =2.0V,RL=2.2KΩ			500	μA
Output Impedance	@ f=1kHz			2.2	kΩ
Decreasing Voltage	@ V <sub>CC</sub> =3.0V ~ 2.0V			-3	dB
Signal to Noise Ratio	@ 1kHz S.P.L=1Pa (A-Weighted Curve)	58			dB
Operating Voltage		1.0		10	V
Input S.P.L, max				110	dB
Operating Temperature Range		-40		+85	°C
Storage Temperature Range		-40		+85	°C

### FREQUENCY CHARACTERISTICS

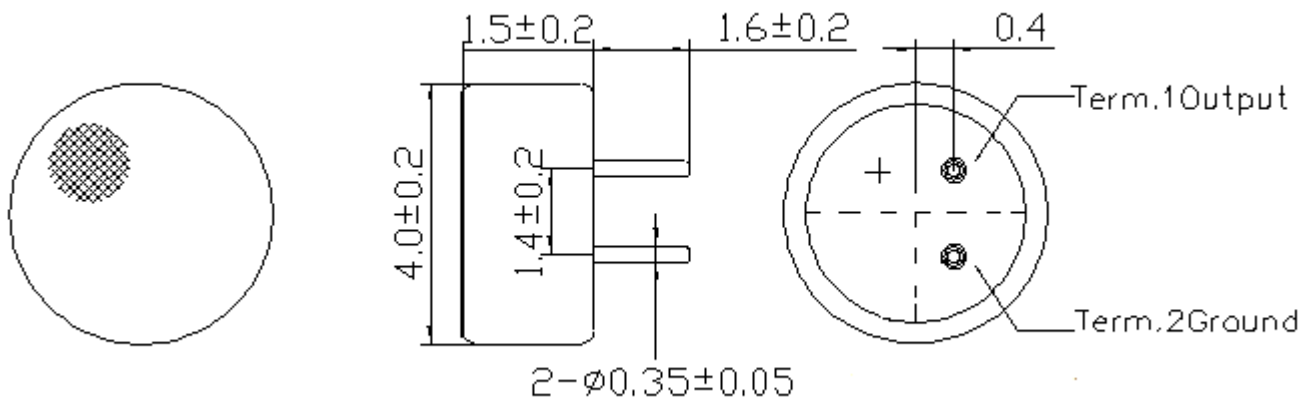
Microphone Response Tolerance Window

Frequency Response

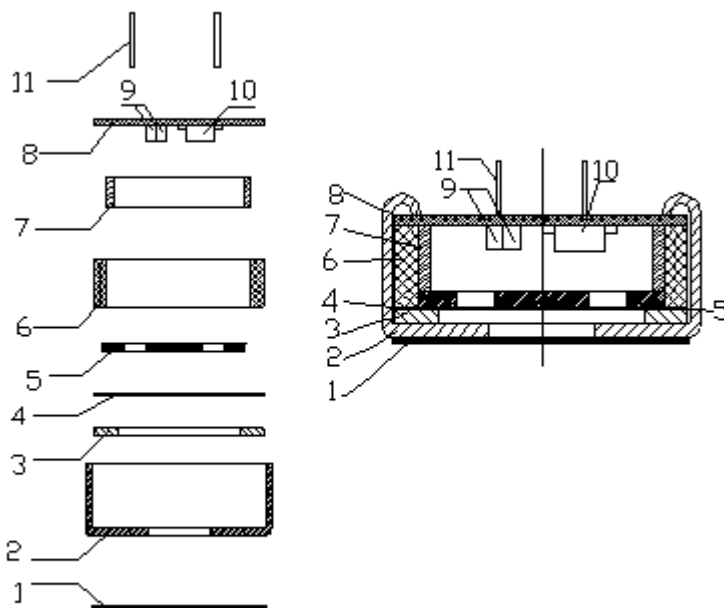


Frequency (Hz)	Lower Limit(dB)	Upper Limit(dB)
50	-6	+3
100	-3	+3
800	-3	+3
1000	0	0
1200	-3	+3
3000	-3	+8
5000	-3	+8
10000	-8	+8

### DIMENSIONS AND MATERIAL/STRUCTURE

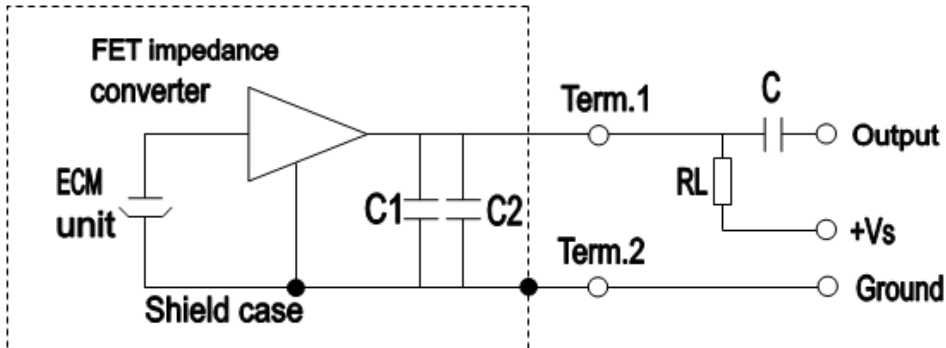


Unit: mm



11	PIN	Copper	2
10	FET		1
9	Chip Capacitor		2
8	P.C.B	FR-4	1
7	Copper Ring		1
6	Chamber		1
5	Electret Plate		1
4	Spacer		1
3	Diaphragm		1
2	Case		1
1	Dustproof gauze	Non-weave cloth	1
No.	Name	Material	QTY

## MEASUREMENT CIRCUIT



$$R_L = 2.2K \Omega$$

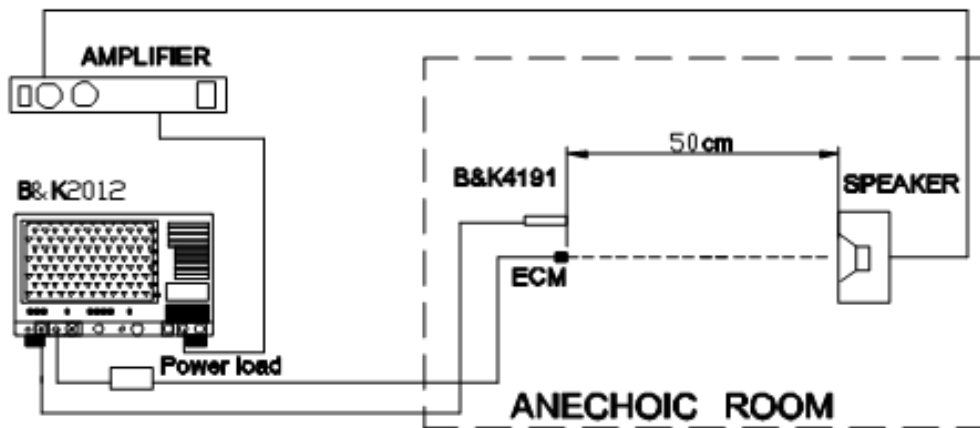
$$V_s = 2.0V$$

$$C_1 = 10PF$$

$$C_2 = 33PF$$

$$C = 1\mu F$$

## MEASUREMENT SETUP DRAWING



## APPROVAL

DRAWN BY	AR, July 31, 2024
APPROVED BY	CP, July 31, 2024
REVISION	A, Initial Release

