

General Description

Ø4.0mm x 1.5mm, Omnidirectional Electret Condenser Microphone (Back Electret Type)

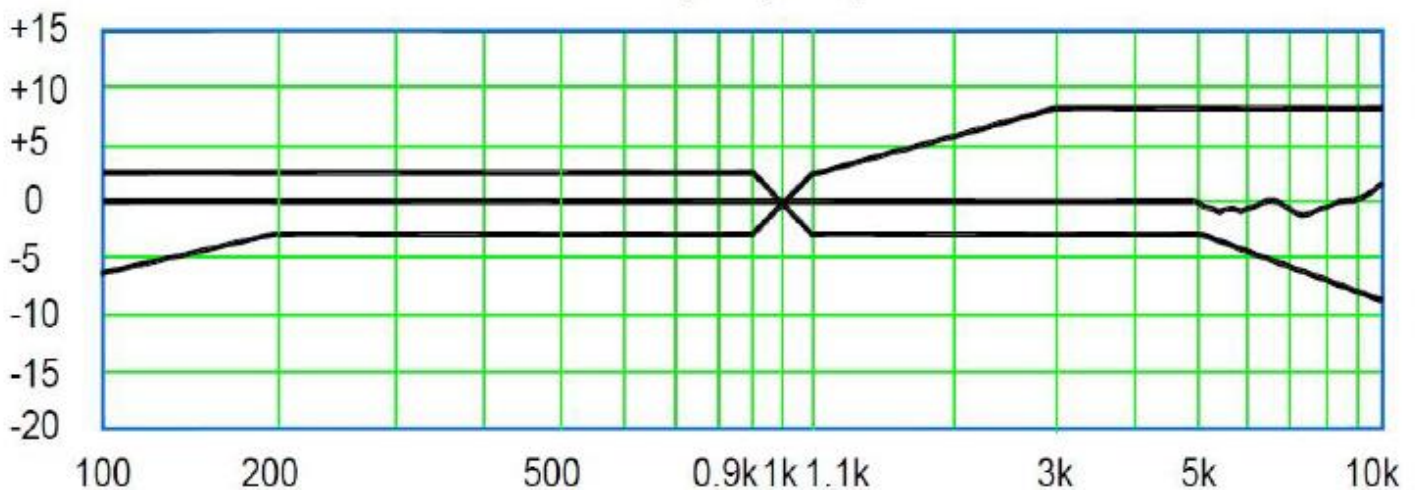


ELECTRICAL SPECIFICATIONS

Parameters		Value			Unit
		min	center	max	
Frequency		50		16000	Hz
Sensitivity Range	@ 0dB=1V/Pa, @ 1kHz, RL=2.2kΩ, Vs=2.0V	-39	-42	-45	dB
Current Consumption	@ V _{CC} =2.0V, RL=2.2kΩ			500	uA
Impedance	@ f=1kHz, RL=2.2kΩ			2.2	kΩ
Sensitivity Reduction	@ V _{CC} =2.0V ~ 1.5V			3	dB
Signal to Noise Ratio	@ 1kHz, 0dB=1V/Pa (A-Weighted Curve)	58			dB
Operating Voltage		1.0		10	V
Sound Pressure Level, max	@ 1kHz · THD<3%	110			dB
Operating Temperature Range		-40		+70	°C
Storage Temperature Range		-40		+110	°C

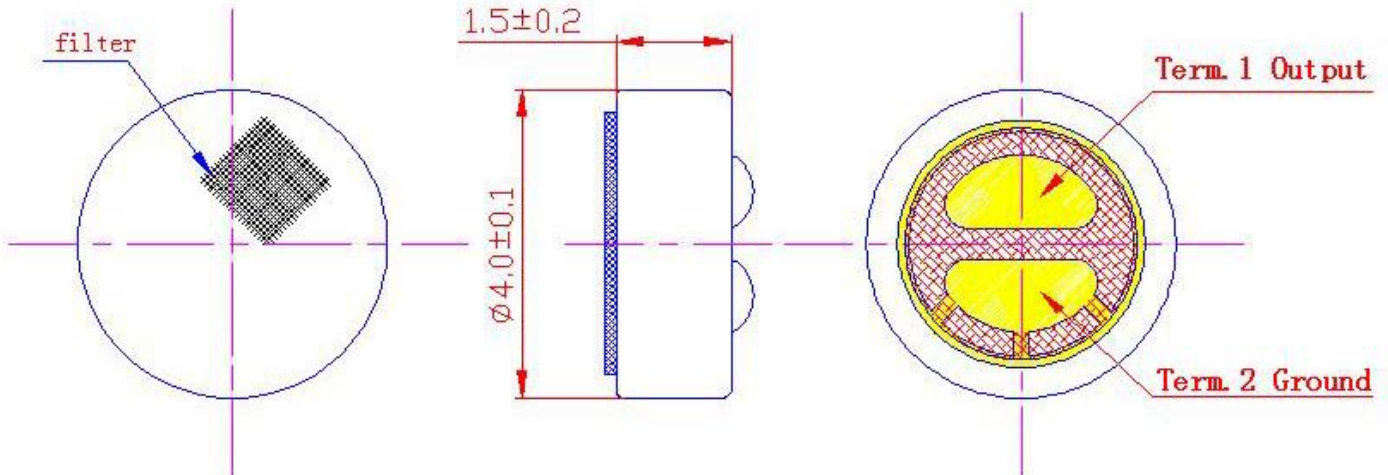
FREQUENCY CHARACTERISTICS

Frequency Response

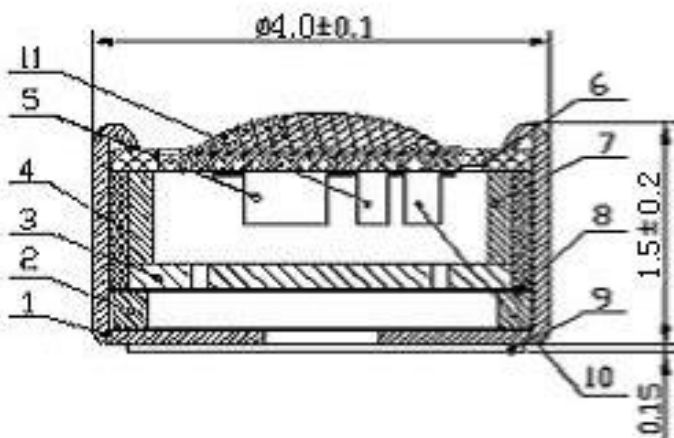


L=50m

DIMENSIONS AND MATERIAL/STRUCTURE

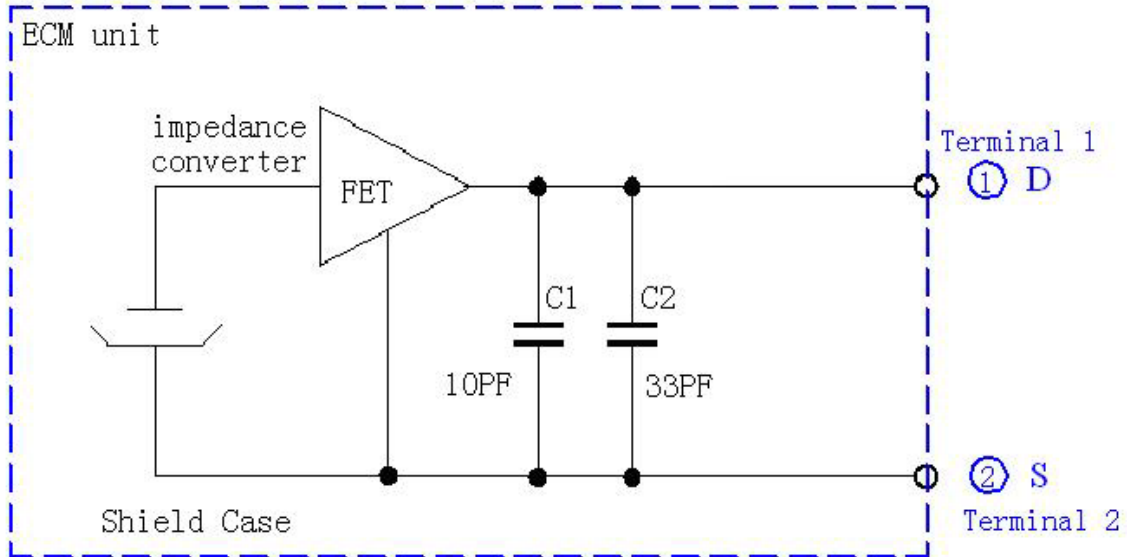


Unit: mm

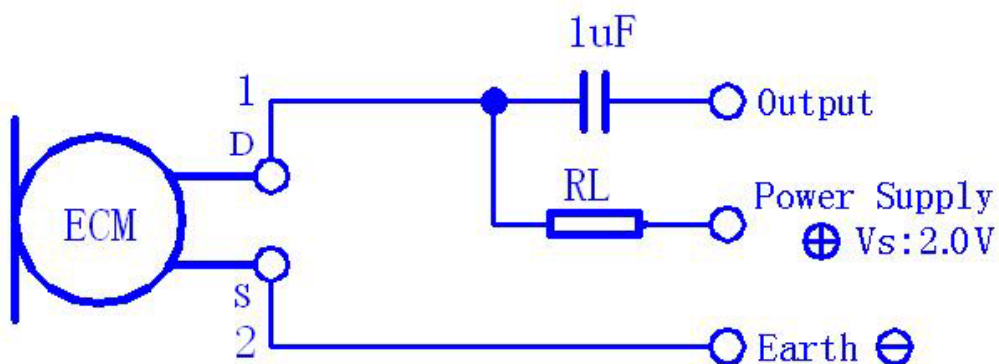


NO.	NAME	MATERIAL	QTY	REMARK
11	CHIP-CAPACITOR		1	10PF
10	CHIP-CAPACITOR		1	33PF
9	FELT		1	
8	SPACER	Polyster film	1	
7	ELECTRET RING	H65	1	
6	P.C.B	Glass fiber	1	
5	F.E.T		1	
4	HOUSING CHAMBER	POM	1	
3	ELECTRET BACK	H65+FEP	1	
2	POLARIZED DIAPHRAGM	PET	1	
1	CASE	AL	1	

CIRCUIT DIAGRAM



SCHEMATIC MEASURING DIAGRAM



RL: 2.2KΩ (external resistance)

APPROVAL

DRAWN BY	AR, January 13, 2025
APPROVED BY	CP, January 13, 2025
REVISION	A, Initial Release



Raltron Electronics / RAMI Technology USA, LLC, including its affiliates, employees, agents and other persons acting on its behalf (collectively Raltron/RAMI Tech), disclaim any and all liability for any errors or inaccuracies contained in this data sheet. While Raltron/RAMI Tech has made every reasonable effort ensure the accuracy of all product information, specifications and data contained herein, Raltron/RAMI Tech does not guarantee that the information is accurate, reliable or current. The product information is provided only for reference purposes only and is subject to change, correction or revision, at any time without notice. Raltron/RAMI Tech does not assume any liability arising out of an application or use of any product described herein and disclaims any warranties expressed or implied. The user of products in such applications shall assume all risks of such use and will agree to hold Raltron/RAMI Tech, harmless against all damages. Copyright © 2016, Raltron Electronics / RAMI Technology USA, LLC. All rights reserved. No part of this document may be reproduced in any form without the prior written permission of Raltron Electronics / RAMI Technology USA, LLC.