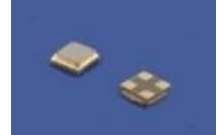


SERIES R1210



● **FEATURES**

- ULTRA SMALL ULTRA THIN
- AUTOMATIC MOUNTING POSSIBLE
- REFLOW POSSIBLE

● **SPECIFICATIONS**

PARAMETER	VALUE
FREQUENCY RANGE*	32.000 MHz to 60.000 MHz
MODE OF OSCILLATION	AT CUT, Fundamental
FREQUENCY TOLERANCE AT 25°C	±50 ppm max ±10ppm, ±20ppm, ±30 ppm available
FREQUENCY STABILITY OVER TEMPERATURE*	±50 ppm max ±10ppm, ±20ppm, ±30 ppm available
OPERATING TEMPERATURE RANGE*	-10°C to +60°C Standard -40°C to +85°C Extended
STORAGE TEMPERATURE RANGE	-40°C to +85°C
AGING	±2 ppm 1st year max
LOAD CAPACITANCE	8 pF to 32 pF or Series Resonance
EQUIVALENT SERIES RESISTANCE	See Table 1
SHUNT CAPACITANCE	3.0 pF max
DRIVE LEVEL	50 µW max

*Not any Combination Frequency-Operating Temperature Range- Stability is available. Please consult factory

FREQUENCY (MHz)	MODE	MAXIMUM ESR (Ω)
32.000 to 40.999	FUND	150
41.000 to 60.000	FUND	100

■ **PART NUMBERING SYSTEM**

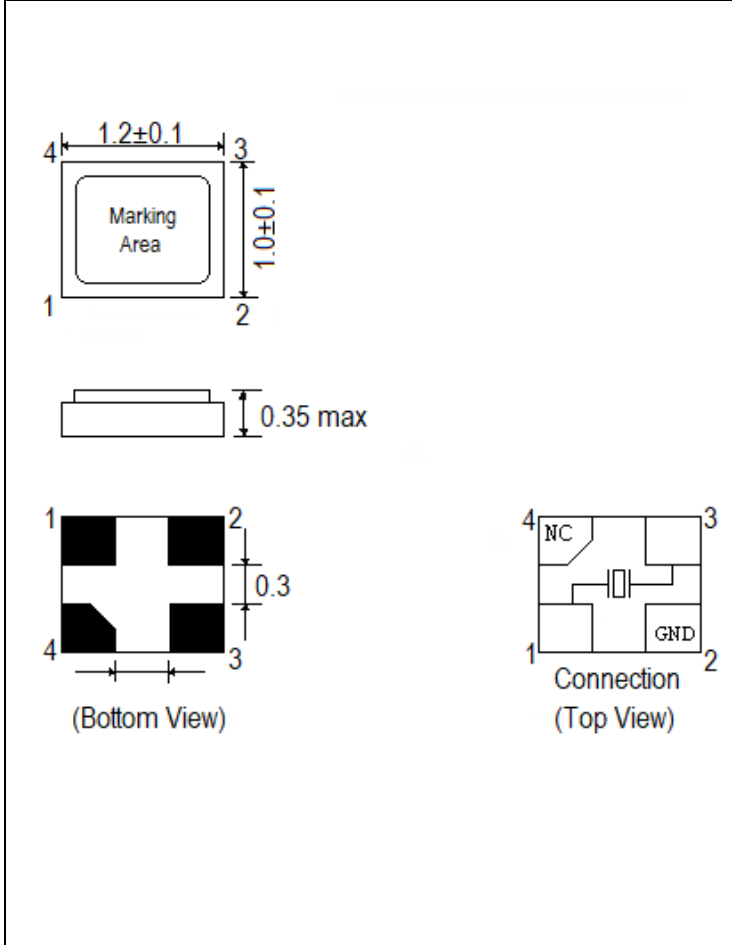
TYPE	-	FREQUENCY	-	LOAD CAPACITANCE	-	MODE	TOLERANCE/STABILITY (PPM/PPM)
R1210	-	IN MHz	-	8 to 32 pF for PARALLEL S for SERIES	-	Blank for < 24.576 MHz F for ≥ 24.576 MHz	Blank for 5050 PPMPPM for OTHER Example: 1020, 2050

-	TEMPERATURE RANGE	-	TAPE & REEL
-	Blank for STANDARD EXT for EXTENDED	-	TR

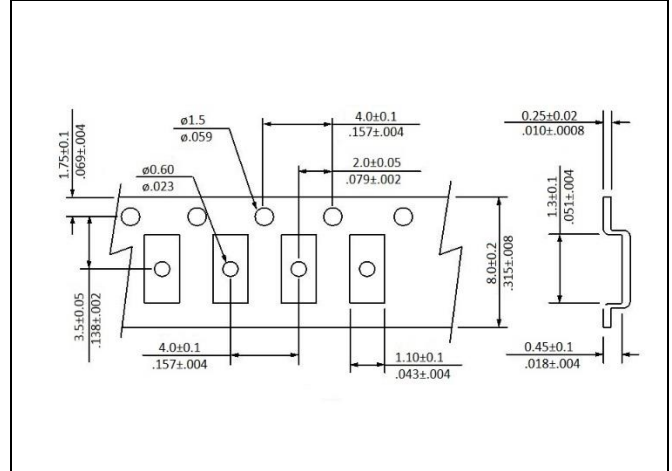
EXAMPLE: R1210-32.000-8-F-1030-TR

Surface Mount Crystal, 1.2 x 1.0 mm, 32.000 MHz, 8 pF Load, Fundamental Mode, ±10 ppm Tolerance, ±30 ppm Stability, from -10°C to +60°C, Tape and reel Packaging

● **MECHANICAL SPECIFICATION**



● **CARRIER TAPE DIMENSIONS**

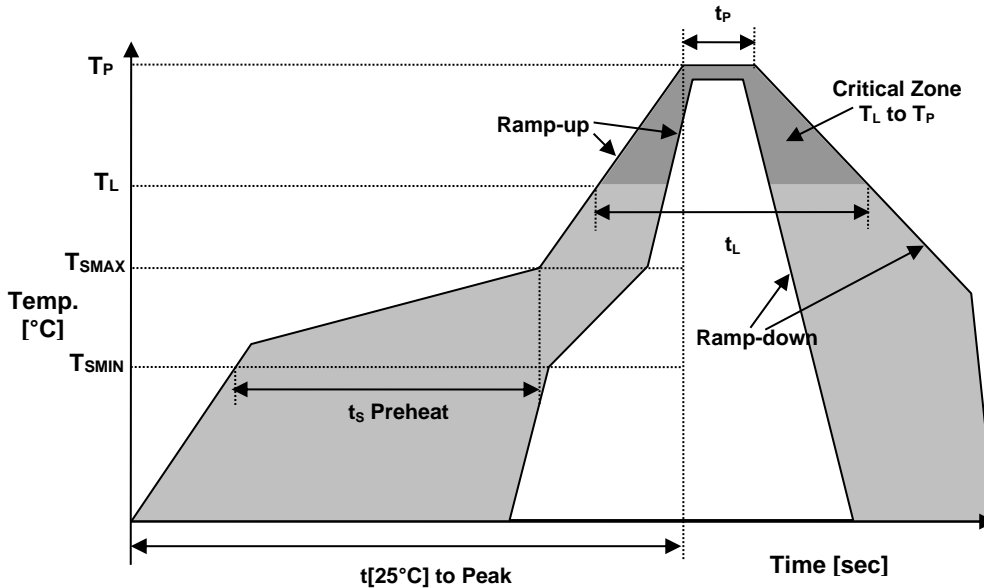


NOTE: REFER TO EIA-481 FOR NON-SPECIFIED DIMENSIONS

● **PACKAGING**

180 mm REEL DIAMETER
 8 mm TAPE WIDTH, 4 mm PITCH
 QUANTITY: 3000 PIECES PER REEL

● REFLOW PROFILE



Reflow profile		
Temperature Min Preheat	T_{SMIN}	150°C
Temperature Max Preheat	T_{SMAX}	200°C
Time (T_{SMIN} to T_{SMAX})	t_s	60-180 sec.
Temperature	T_L	217°C
Peak Temperature	T_P	260°C
Ramp-up rate	R_{UP}	3°C/sec max.
Ramp-down rate	R_{DOWN}	6°C/sec max.
Time within 5°C of Peak Temperature	t_p	10 sec.
Time $t[25^\circ\text{C}]$ to Peak Temperature	$t[25^\circ\text{C}]$ to Peak	480 sec.
Time	t_L	60-150 sec.

● ENVIRONMENTAL

PARAMETER	VALUE
MOISTURE SENSITIVITY LEVEL	1
RoHS	COMPLIANT
REACH SVHC	COMPLIANT
HALOGEN-FREE	COMPLIANT
ESD CLASSIFICATION LEVEL	N/A
TERMINATION FINISH	Au

