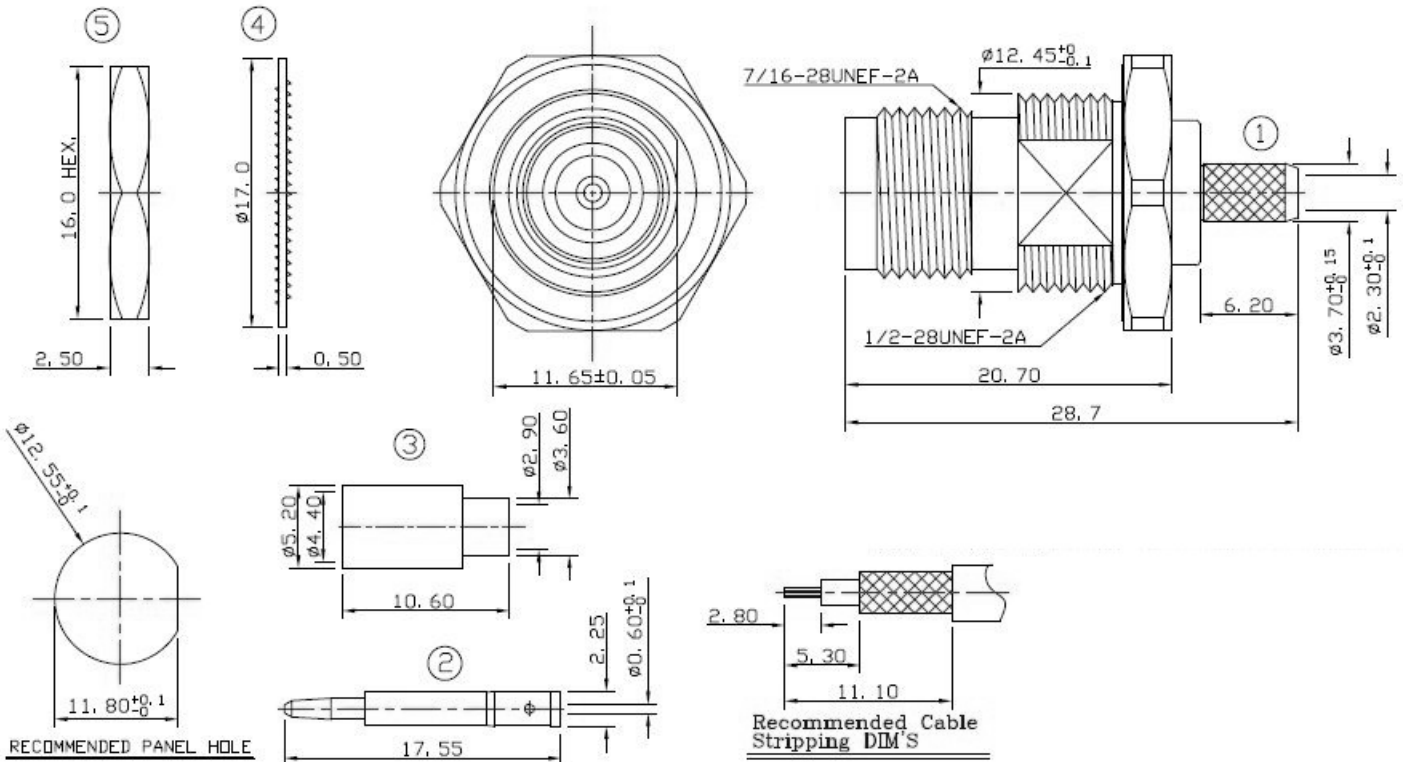



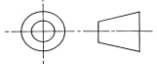
❖ ELECTRICAL SPECIFICATION

PARAMETER	VALUE	UNIT
Frequency Range	0 – 3	GHz
Impedance	50	Ω
Working Voltage, max	250	Vrms
Dielectric Withstanding Voltage, max	750	Vrms

❖ DIMENSIONS



Item	Description	Material	Finished
1	Body	Brass	Nickel
	Insulator	Teflon	None
	O" Ring	SI.Rubber	None
	Body	Brass	Nickel
2	Contact	Brass	Gold
3	Ferrule	Brass	Nickel
4	Lock Washer	Brass	Nickel
5	Nut	Brass	Nickel

				 A RAM TECHNOLOGY Company	
Rev	Change	Date	Name	Description RP-TNC ST. JACK CRIMP TYPE FOR RG/174,188,316/U CABLE	
Projection		Date	Name		
Scale		Date	Name	Part Number	RCN-9F-T704301A-K-001
		Drawn	09.24.2018	AR	
		Checked	09.24.2018	CP	
Dimensions in mm		Approved	09.24.2018	CP	A