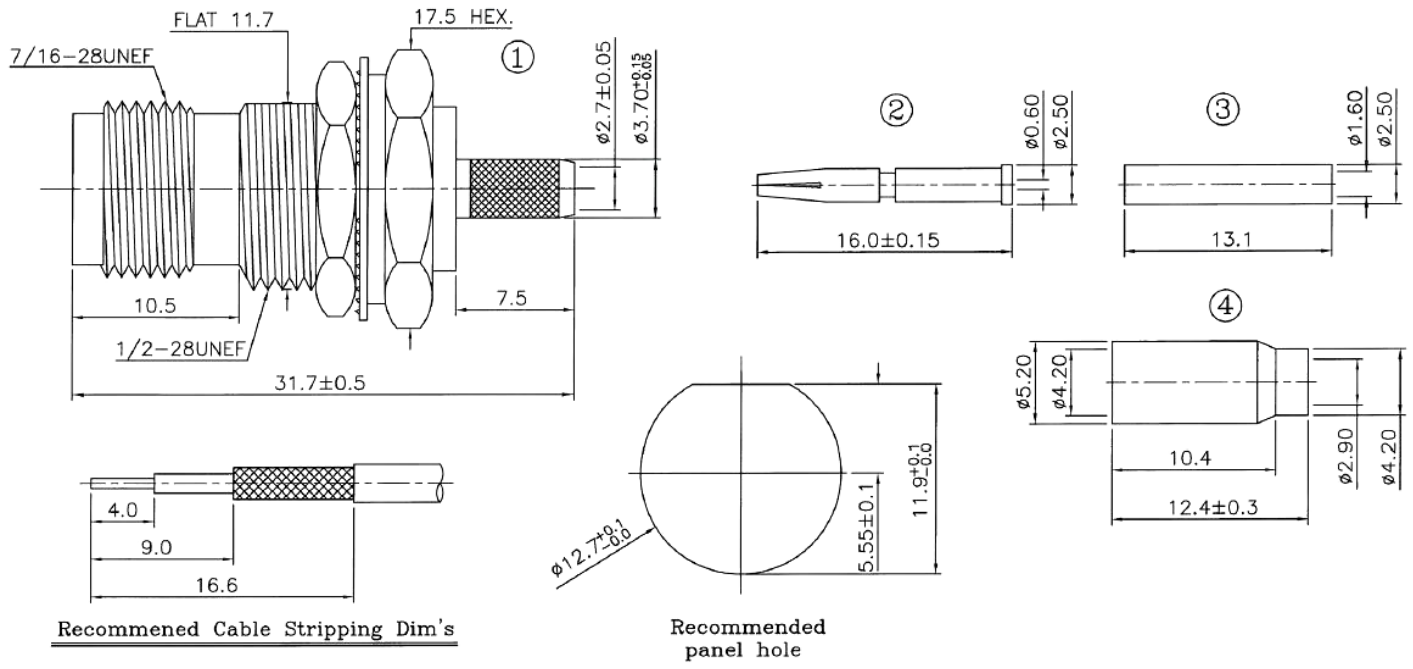




## ❖ ELECTRICAL SPECIFICATION

PARAMETER	VALUE	UNIT
Frequency Range	0 –3	GHz
Impedance	50	$\Omega$
Working Voltage, max	250	Vrms
Dielectric Withstanding Voltage, max	750	Vrms

## ❖ DIMENSIONS



Item	Description	Material	Finished
1	Body	Brass	Nickel
	Body	Brass	Nickel
	Nut	Brass	Nickel
	Washer	Steel	Nickel
	Gasket	Rubber	None
	Insulator	Delrin	None
	Washer	Brass	Nickel
2	Contact	Brass	Gold
3	Bushing	Teflon	Tin 200u"
4	Ferrule	Copper Tubing	Nickel

Rev	Change	Date	Name	 A RAM TECHNOLOGY Company		
Projection	Scale	Date	Name			
	--	Drawn	09.24.2018	AR	Description <b>TNC FEMALE BULKHEAD JACK CRIMP FOR RG174U CABLE</b>	
		Checked	09.24.2018	CP		Part Number <b>RCN-9F-4710W03A-K-001</b>
		Approved	09.24.2018	CP		
Dimensions in mm						