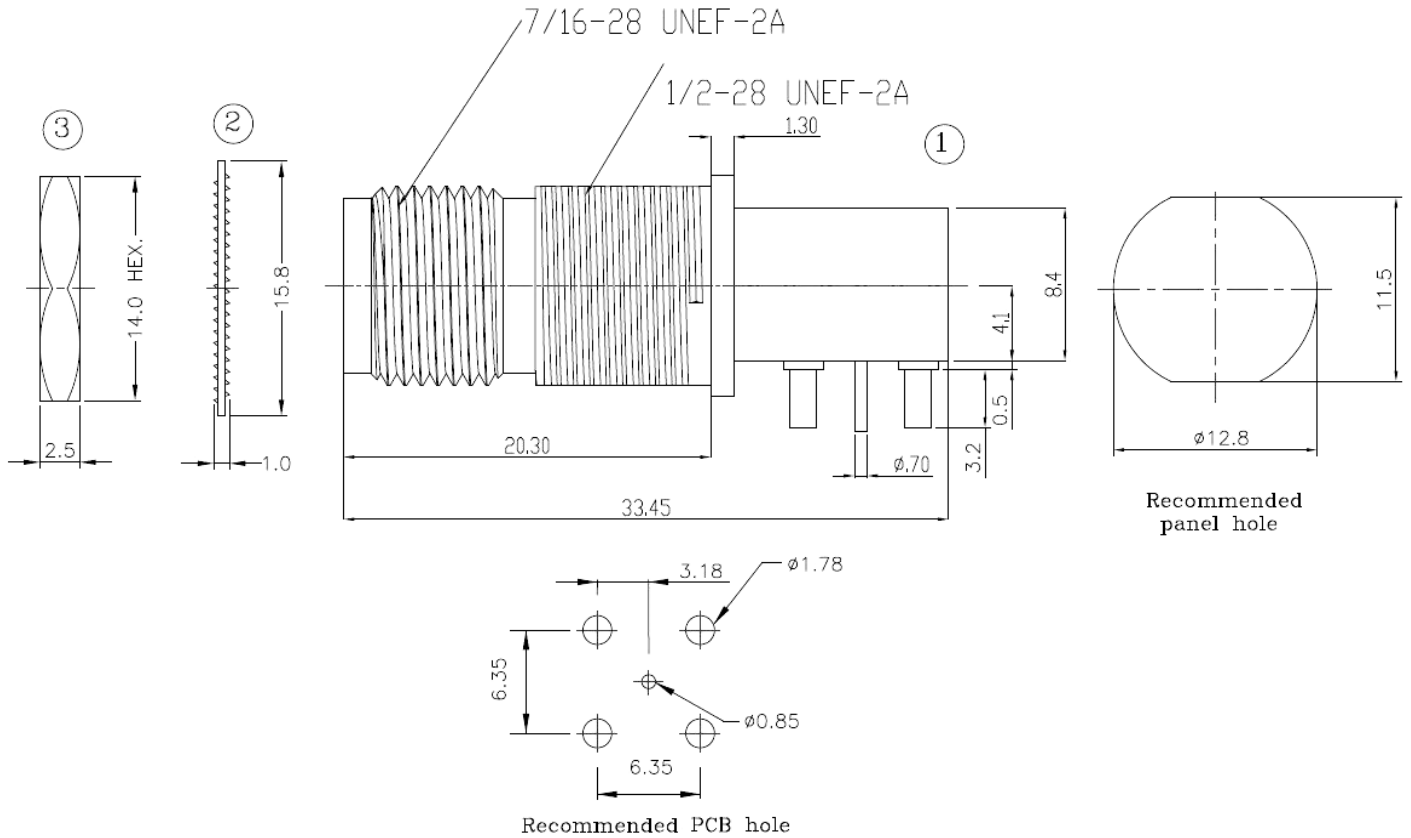



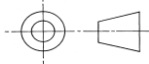
❖ ELECTRICAL SPECIFICATION

PARAMETER	VALUE	UNIT
Frequency Range	0 –6	GHz
Impedance	50	Ω
Working Voltage, max	500	Vrms
Dielectric Withstanding Voltage, max	1000	Vrms

❖ DIMENSIONS



Item	Description	Material	Finished
1	Body	Zinc Alloy	Nickel
	Contact	P.Bronze	Gold
	Insulator	TPX	None
2	Washer	SK-5	Nickel
3	Nut	Brass	Nickel

Rev	Change	Date	Name			
				 A RAM TECHNOLOGY Company		
Projection		Scale	Date	Name	Description	
		--	09.24.2018	AR	TNC RIGHT ANGLE JACK PCB RECEPTACLE	
Dimensions in mm			09.24.2018	CP	Part Number	
			09.24.2018	CP	RCN-9F-16803-K-001	A