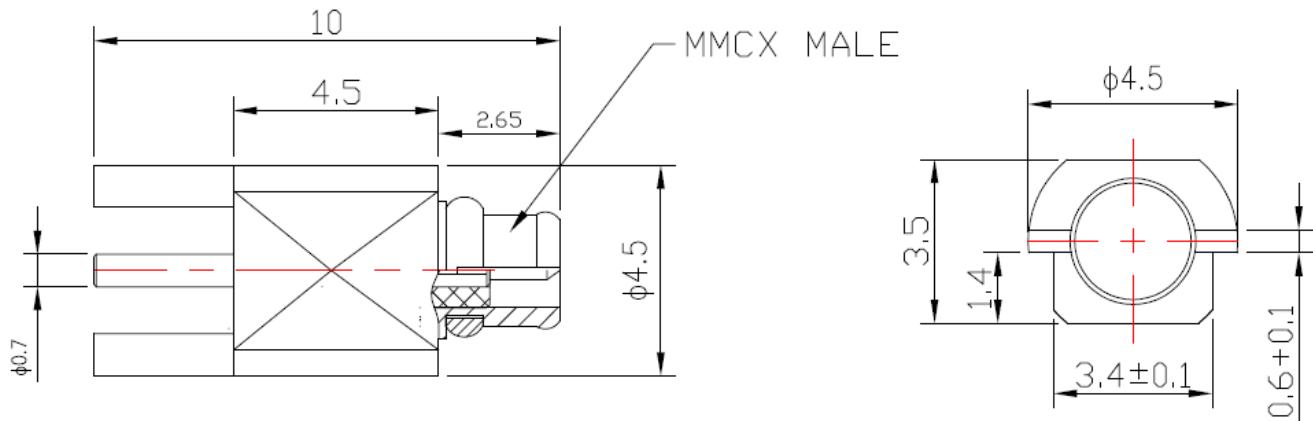




❖ ELECTRICAL SPECIFICATION

PARAMETER	VALUE	UNIT
Frequency Range	DC ~ 6	GHz
Impedance	50	Ω
VSWR, max	1.25	-
Durability	500	cycles
Operating Temperature Range	-65 ~ +165	$^{\circ}\text{C}$
Neutral Salt Spray	48	h

❖ DIMENSIONS



DESCRIPTION	MATERIAL	FINISH
BODY	BRASS	GOLD
CENTER CONTACT	BRASS	GOLD
C-TYPE SNAP RING	PHOSPHOR BRONZE	GOLD
INSULATOR	PTFE	-

					 A RAMI TECHNOLOGY Company	
Rev	Change	Date	Name	Description		
				MMCX MALE TO PCB CONNECTOR		
				Part Number		
Projection		Scale	Date	Name	RCN-5M-JEF100-LH-001	
		--	Drawn	03.26.2024		AR
			Checked	03.26.2024		CP
Dimensions in mm			Approved	03.26.2024	CP	A