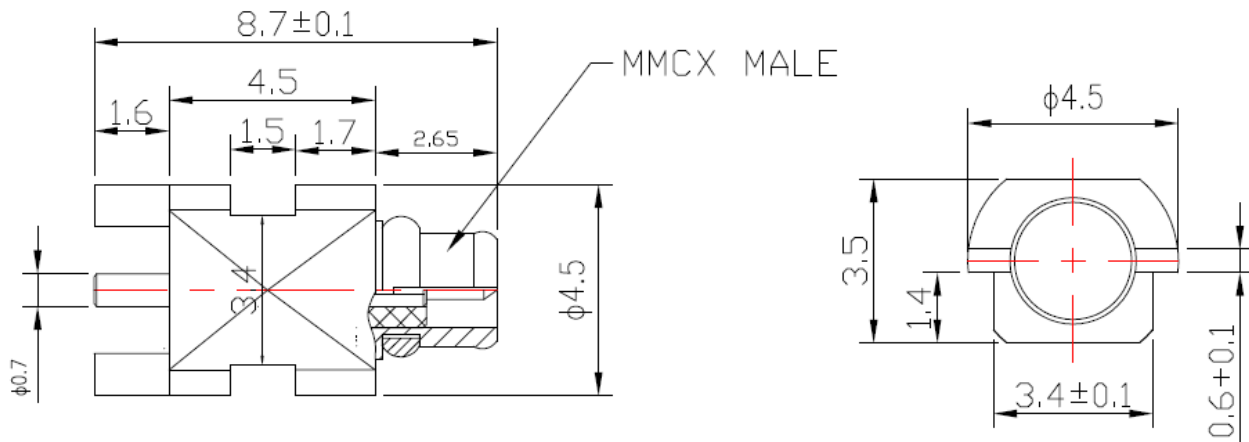



## ❖ ELECTRICAL SPECIFICATION

PARAMETER	VALUE	UNIT
Frequency Range	DC ~ 6	GHz
Impedance	50	$\Omega$
VSWR, max	1.25	-
Durability	500	cycles
Operating Temperature Range	-65 ~ +165	$^{\circ}\text{C}$
Neutral Salt Spray	48	h

## ❖ DIMENSIONS



DESCRIPTION	MATERIAL	FINISH
BODY	BRASS	GOLD
CENTER CONTACT	BRASS	GOLD
C-TYPE SNAP RING	PHOSPHOR BRONZE	GOLD
INSULATOR	PTFE	-

				 A RAMI TECHNOLOGY Company	
Rev	Change	Date	Name	Description <b>MMCX MALE CONNECTOR</b>	
Projection		Date	Name		
Scale		Drawn	03.26.2024	AR	Part Number <b>RCN-5M-JEF087-LH-001</b>
--		Checked	03.26.2024	CP	
Dimensions in mm		Approved	03.26.2024	CP	