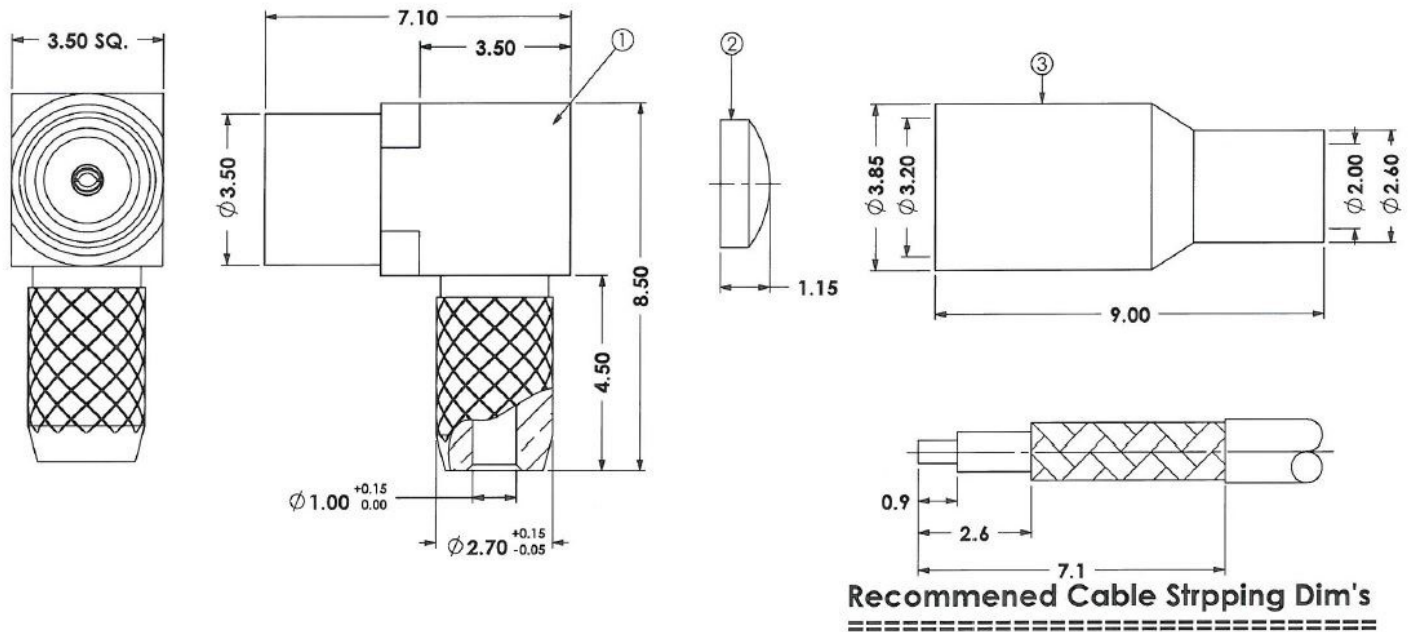




❖ ELECTRICAL SPECIFICATION

PARAMETER	VALUE	UNIT
Frequency Range	0 – 6	GHz
Impedance	50	Ω
Working Voltage, max	170	Vrms
Dielectric Withstanding Voltage, max	500	Vrms

❖ DIMENSIONS



Item	Description	Material	Finished
1	Body	Brass	Gold
	Insulator	Teflon	Natural
	Contact	BE Copper	Gold 30u"
2	Body Cap	Brass	Gold
3	Ferrule	Brass	Gold

					 A RAM TECHNOLOGY Company	
Rev	Change	Date	Name		Description MMCX RIGHT ANGE JACK CRIMP FOR RG178, 196U CABLE	
Projection		Scale	Date	Name		
 Dimensions in mm		--	Drawn	09.18.2018	AR	Part Number RCN-5F-M701400A-K-001
			Checked	09.18.2018	CP	
			Approved	09.18.2018	CP	