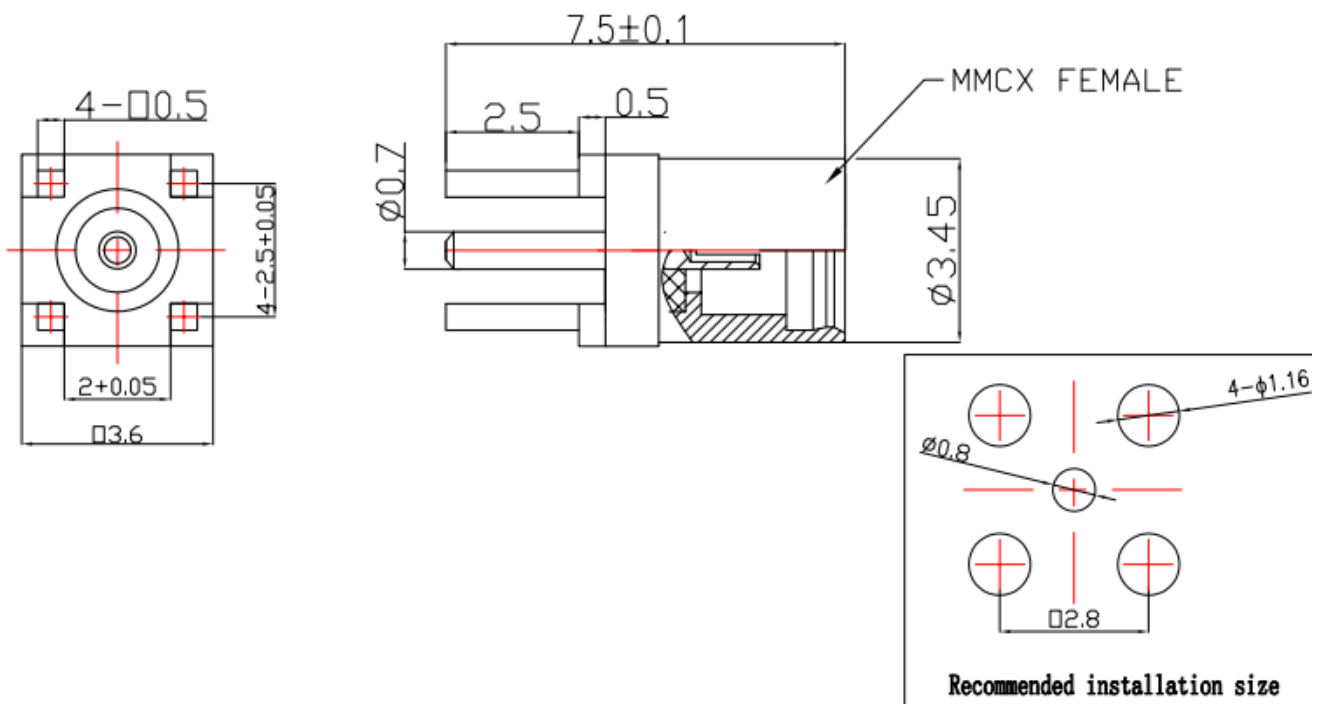



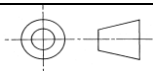
## ❖ ELECTRICAL SPECIFICATION

PARAMETER	VALUE	UNIT
Frequency Range	DC ~ 6	GHz
Impedance	50	$\Omega$
VSWR, max	1.25	-
Durability	500	cycles
Operating Temperature Range	-65 ~ +165	$^{\circ}\text{C}$
Neutral Salt Spray	48	h

## ❖ DIMENSIONS



DESCRIPTION	MATERIAL	FINISH
BODY	BRASS	GOLD
CENTER CONTACT	PHOSPHOR BRONZE	GOLD
INSULATOR	PTFE	-

					 A RAMI TECHNOLOGY Company
Rev	Change	Date	Name		
Projection	Scale	Date	Name	Description	
 Dimensions in mm	--	Drawn	03.26.2024	AR	
		Checked	03.26.2024	CP	
		Approved	03.26.2024	CP	
				Description	<b>MMCX FEMALE TO PCB CONNECTOR</b>  <b>RCN-5F-KHE75-LH-001</b>
				Part Number	