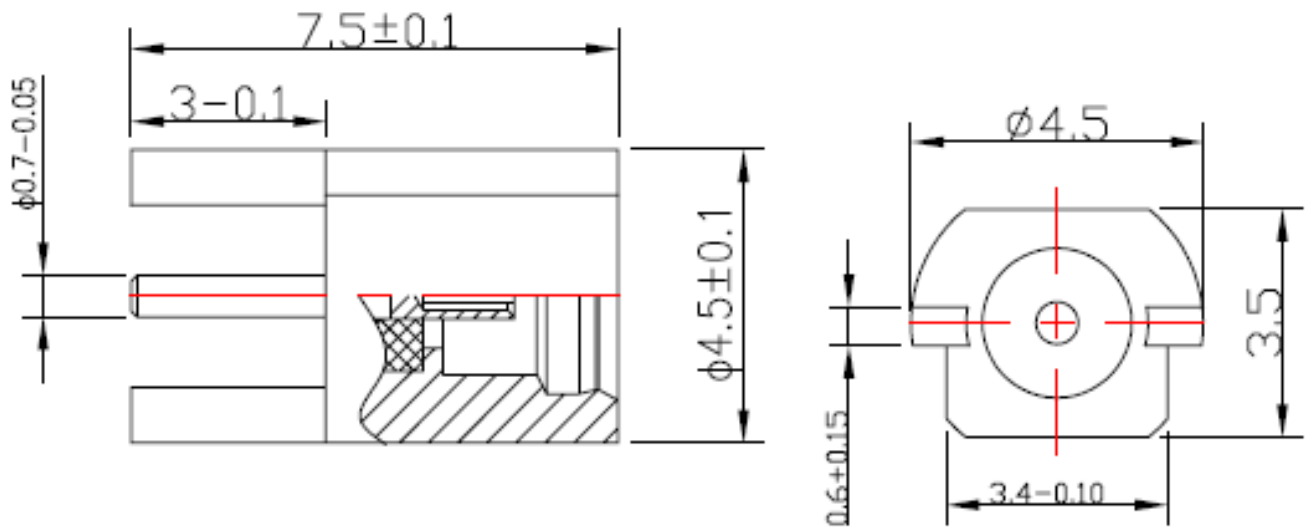




❖ ELECTRICAL SPECIFICATION

PARAMETER	VALUE	UNIT
Frequency Range	DC ~ 6	GHz
Impedance	50	Ω
VSWR, max	1.25	-
Durability	500	cycles
Operating Temperature Range	-65 ~ +165	$^{\circ}\text{C}$
Neutral Salt Spray	48	h

❖ DIMENSIONS



DESCRIPTION	MATERIAL	FINISH
BODY	BRASS	GOLD
CENTER CONTACT	PHOSPHOR BRONZE	GOLD
INSULATOR	PTFE	-

				 A RAMI TECHNOLOGY Company		
Rev	Change	Date	Name			Description
Projection		Date	Name			
		Scale	Drawn	03.26.2024	AR	MM CX FEMALE CONNECTOR Part Number RCN-5F-KEF075-LH-001
Dimensions in mm		--	Checked	03.26.2024	CP	
			Approved	03.26.2024	CP	