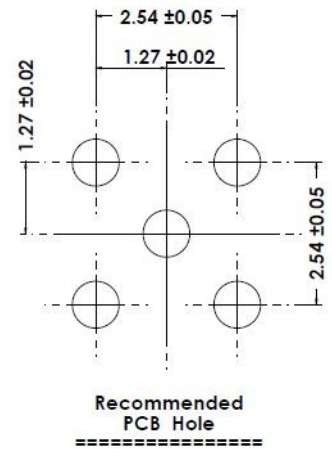
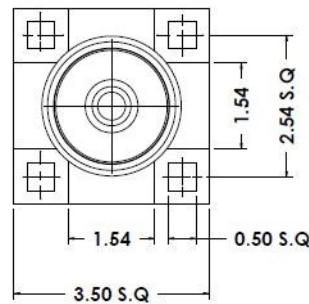
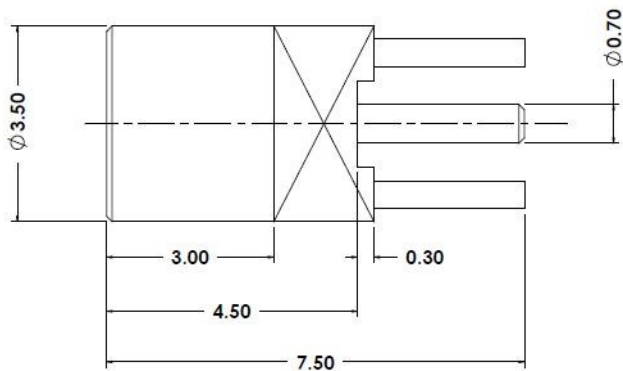




❖ ELECTRICAL SPECIFICATION

PARAMETER	VALUE	UNIT
Frequency Range	DC – 6	GHz
Impedance	50	Ω
Working Voltage, max	170	Vrms
Dielectric Withstanding Voltage, max	500	Vrms
Insulator Resistance, min	500	M Ω

❖ DIMENSIONS



Description	Material	Finished
Body	Brass	Gold
Insulator	Teflon	None
Contact	BE Copper	Gold 30 u"

						 <i>A RAM TECHNOLOGY Company</i>
Rev	Change	Date	Name			
Projection	Scale	Date	Name	Description		
 Dimensions in mm	--	Drawn	09.14.2018	AR	MMCX STRAIGHT JACK PCB RECEPTACLE Part Number RCN-5F-33017-K-001	
		Checked	09.14.2018	CP		
		Approved	09.14.2018	CP		
					A	