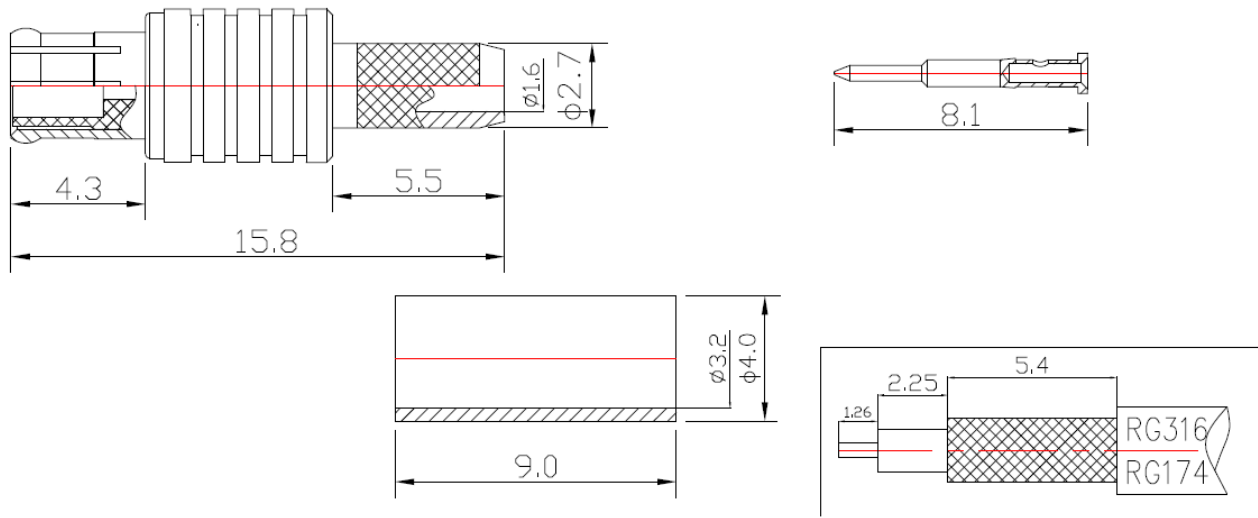



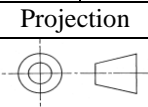
❖ ELECTRICAL SPECIFICATION

PARAMETER	VALUE	UNIT
Frequency Range	DC ~ 6	GHz
Impedance	50	Ω
VSWR, max	1.25	-
Durability	500	cycles
Operating Temperature Range	-65 ~ +165	$^{\circ}\text{C}$
Neutral Salt Spray	48	h

❖ DIMENSIONS



DESCRIPTION	MATERIAL	FINISH
BODY	BRASS	GOLD PLATING
CONTACT	PHOSPHOR BRONZE	GOLD PLATING
CENTER CONTACT	BRASS	GOLD PLATING
INSULATOR	PTFE	-

				 A RAMI TECHNOLOGY Company	
Rev	Change	Date	Name	Description MCX MALE RIGHT ANGLE CONNECTOR FOR RG316 CABLE	
Projection		Date	Name		
Scale		Drawn	03.26.2024	AR	Part Number RCN-4M-J15158-LH-001
--		Checked	03.26.2024	CP	
		Approved	03.26.2024	CP	
Dimensions in mm					A