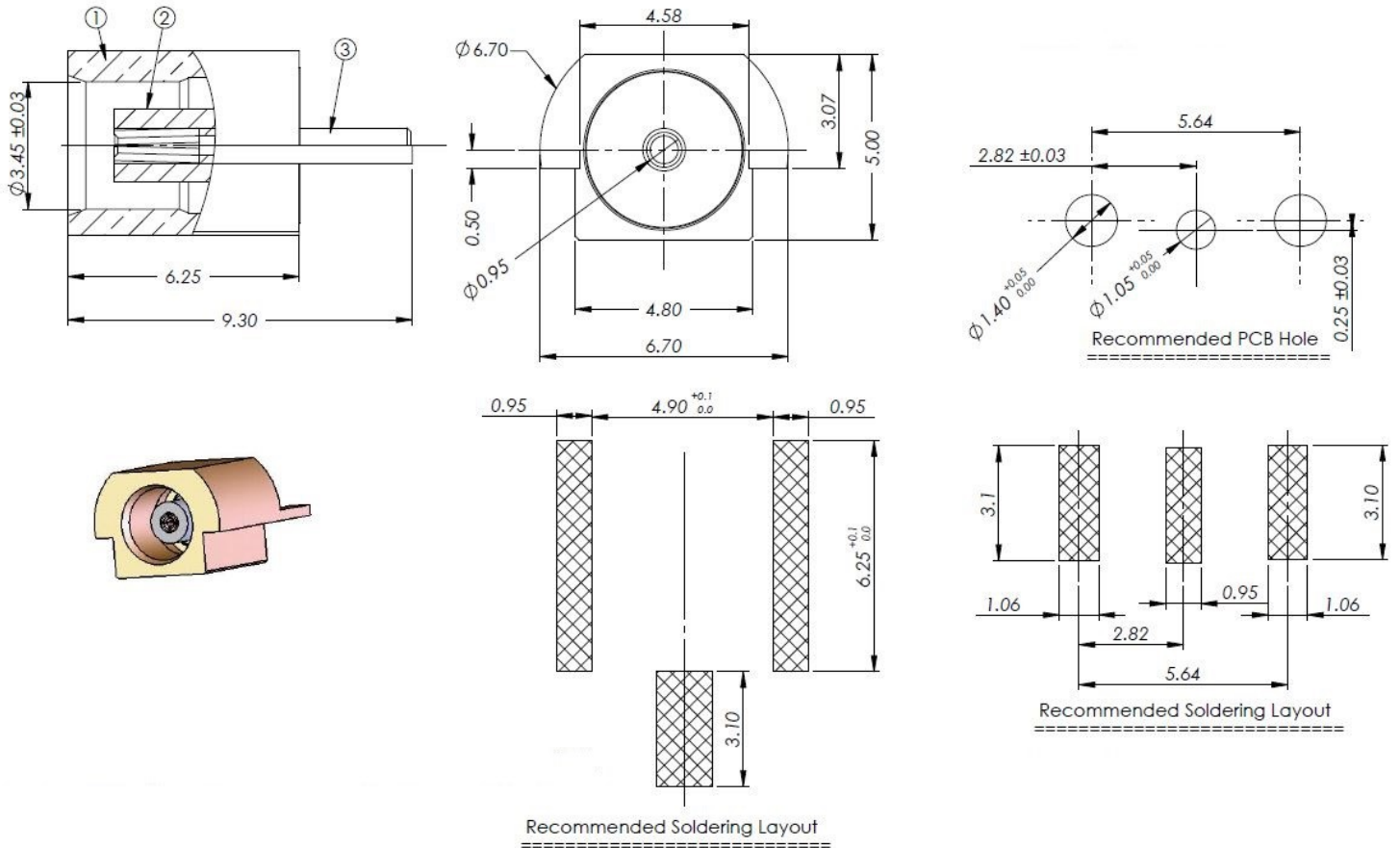


❖ ELECTRICAL SPECIFICATION

PARAMETER	VALUE	UNIT
Frequency Range	0 – 6	GHz
Impedance	50	Ω
Working Voltage, max	335	Vrms
Dialectic Withstanding Voltage, max	1000	Vrms

❖ DIMENSIONS



Items	Description	Material	Finished
1	Body	Brass	Gold Flash
2	Insulator	Teflon	Natural
3	Contact	Beryllium Copper	Gold 7u"

Rev	Change	Date	Name

Projection	Scale	Date	Name
	--	Drawn	09.10.2018 AR
		Checked	09.10.2018 CP
		Approved	09.10.2018 CP

RALTRON
A RAMI TECHNOLOGY Company

Description
MCX STRAIGHT JACK PCB RECEPTACLE

Part Number
RCN-4F-28011-K-001

A