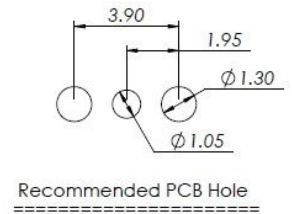
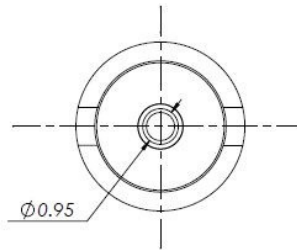
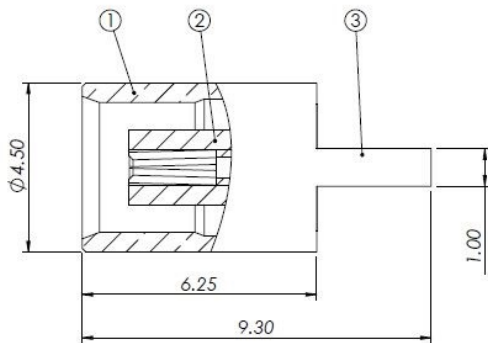
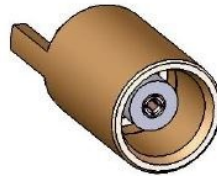
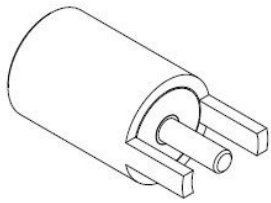


❖ ELECTRICAL SPECIFICATION

PARAMETER	VALUE	UNIT
Frequency Range	0 – 6	GHz
Impedance	50	Ω
Working Voltage, max	335	Vrms
Dialectic Withstanding Voltage, max	1000	Vrms

❖ DIMENSIONS



Item	Description	Material	Finished
1	Body	Brass	Gold
2	Insulator	Teflon	Nature
3	Contact	BE.Copper	Gold

Rev	Change	Date	Name						
Projection	Scale	Date	Name	Description	MCX STRAIGHT JACK EDGE MOUNT RECEPTACLE				
	--	09.11.2018	AR	Part Number					
Dimensions in mm		09.11.2018	CP		RCN-4F-28010-K-001	A			
		09.11.2018	CP						

RALTRON
A RAMI TECHNOLOGY Company