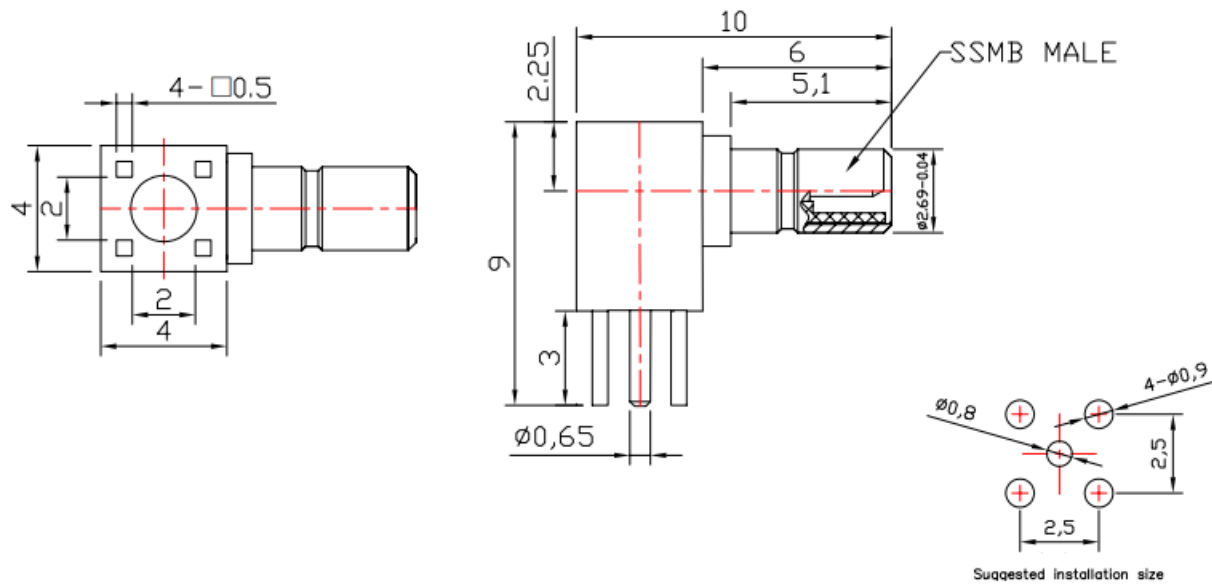




❖ ELECTRICAL SPECIFICATION

PARAMETER	VALUE	UNIT
Frequency Range	DC ~ 3	GHz
Impedance	50	Ω
VSWR, max	1.2	-
Center Contact Resistance, max	3	m Ω
Outer Contact Resistance, max	2	m Ω
Dielectric Strength	500	Vrms
Durability	500	cycles
Operating Temperature Range	-65 ~ +165	$^{\circ}\text{C}$
Neutral Salt Spray	48	h

❖ DIMENSIONS



DESCRIPTION	MATERIAL	FINISH
BODY	BRASS	GOLD PLATING
CENTER CONTACT	BRASS	GOLD PLATING
INSULATOR	PTFE	-

					 A RAMI TECHNOLOGY Company	
Rev	Change	Date	Name	Description		
				SSMB MALE RIGHT ANGLE TO PCB CONNECTOR		
				Part Number		
Projection		Scale	Date	Name	RCN-43M-JWE109-LH-001	
		--	Drawn	03.29.2024		AR
			Checked	03.29.2024		CP
Dimensions in mm		Approved	03.29.2024	CP	A	